



521 Dunn Circle  
Sparks, NV 89431  
(855) 468 5600

PumpStations@JensenPrecast.com  
[www.JensenPrecast.com/Water-Resources](http://www.JensenPrecast.com/Water-Resources)

## Submersible Lift Station Design Criteria

### CONTACT INFORMATION

Name: \_\_\_\_\_  
Company/Agency: \_\_\_\_\_  
Email: \_\_\_\_\_  
Address: \_\_\_\_\_  
City: \_\_\_\_\_ State: \_\_\_\_\_ Zip Code: \_\_\_\_\_  
Telephone: \_\_\_\_\_ Cell Phone: \_\_\_\_\_

### PROJECT INFORMATION

Project Name: \_\_\_\_\_  
Project Location: \_\_\_\_\_  
Project Owner:  Public Agency  Private Company

### PROJECT DESIGN CRITERIA (See Page 3 for Details)

- 1.) Peak Design Flow: \_\_\_\_\_ **g.p.m.**
- 2.) Force Main Information:
  - Length: \_\_\_\_\_ **ft.**
  - Size: \_\_\_\_\_ **in.**
  - Type: \_\_\_\_\_ **(ie: PVC, DI, etc.)**
  - New or Existing: \_\_\_\_\_
- 3.) Wet Well Finished Grade Elevation: \_\_\_\_\_ **ft.**
- 4.) Wet Well Rim Elevation: \_\_\_\_\_ **ft.**
- 5.) Discharge Piping Elevation (or Bury Depth): \_\_\_\_\_ **ft.**
- 6.) Inlet Elevation: \_\_\_\_\_ **ft.**
  - Size: \_\_\_\_\_ **in.**
- 7.) Force Main Discharge Elevation: \_\_\_\_\_ **ft.**
- 8.) Available Power Supply:  120V  240V  480V  
 Single Phase  Three Phase

Additional Information:

---

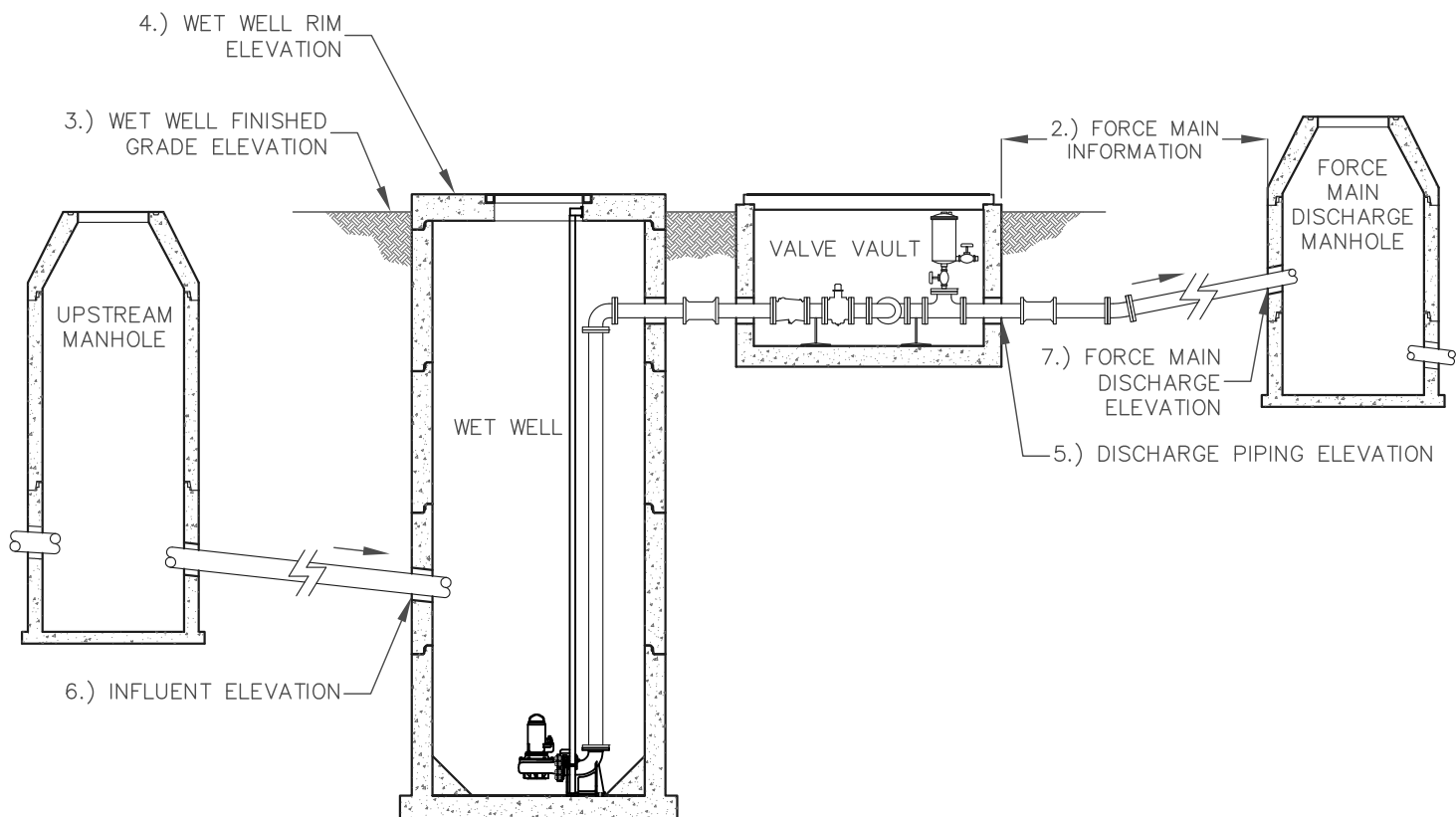
---

---

---

---





PROJECT  
DESIGN CRITERIA

**JENSEN.**  
**PRECAST**

825 STENERI WAY  
SPARKS, NV 89431  
WWW.JENSENPRECAST.COM

Copyright Information ©2010 Jensen Precast All Rights Reserved. All materials appearing as Jensen Precast documents and the like are propriety work product and are protected under U.S. copyright and other laws. Unless in conjunction with business conducted with Jensen Precast, any use of Jensen Precast work product without express, written consent is prohibited and recipient is prohibited from distributing any and all work product to non-approved third parties under penalty of civil action.