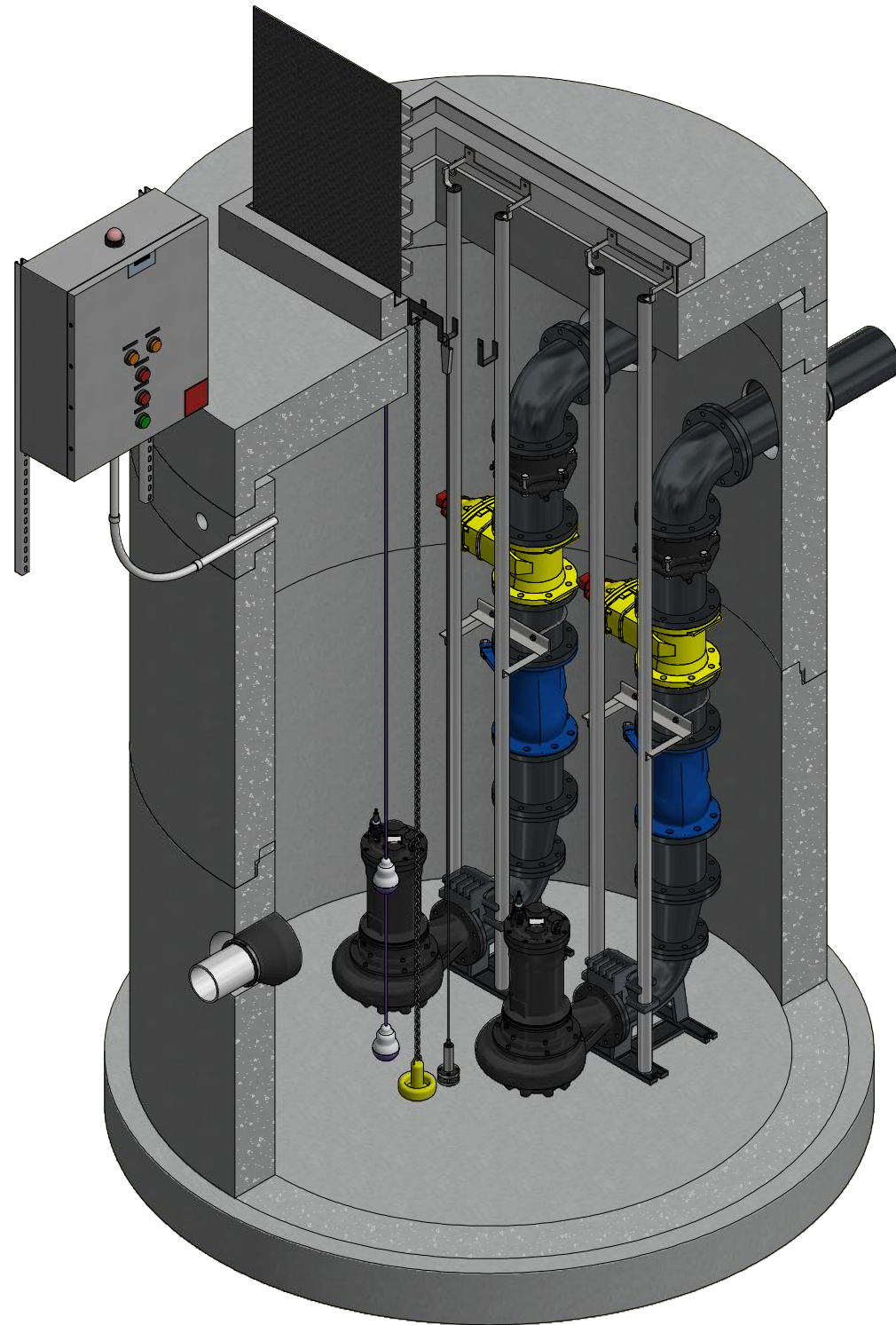
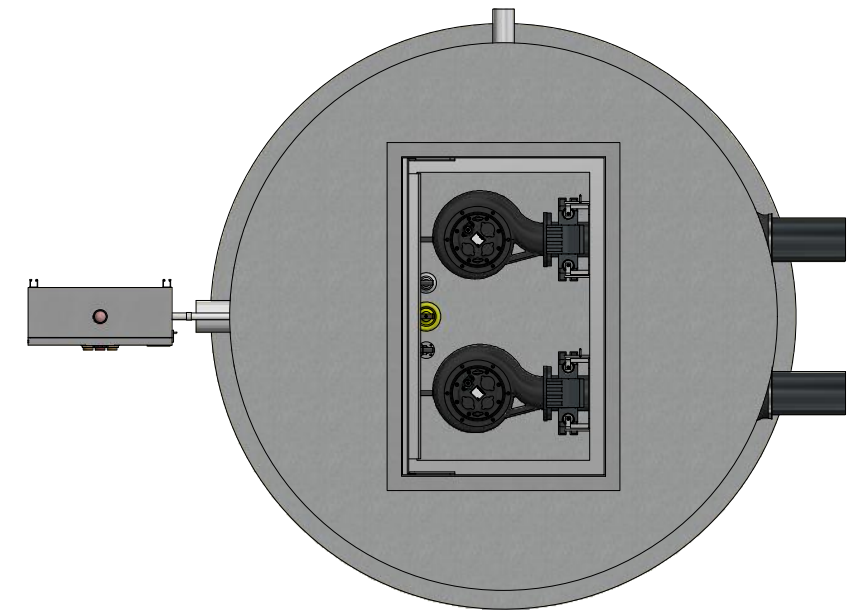


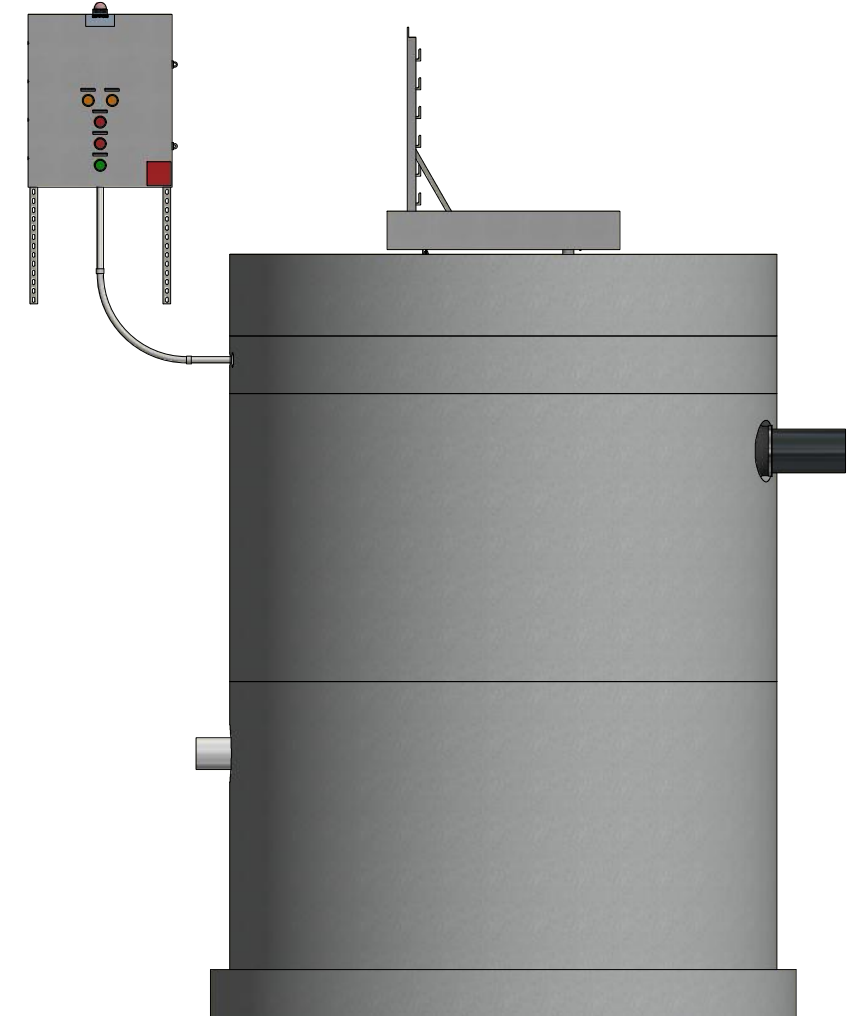
896-D SERIES STANDARD DUPLEX PUMP STATION



TOP LEFT ISOMETRIC VIEW w/ SECTION
NOT TO SCALE



PLAN VIEW
NOT TO SCALE



PROFILE VIEW
NOT TO SCALE

896-D Series Standard.dwg

DISCLAIMERS, INCLUDING BUT NOT LIMITED TO:

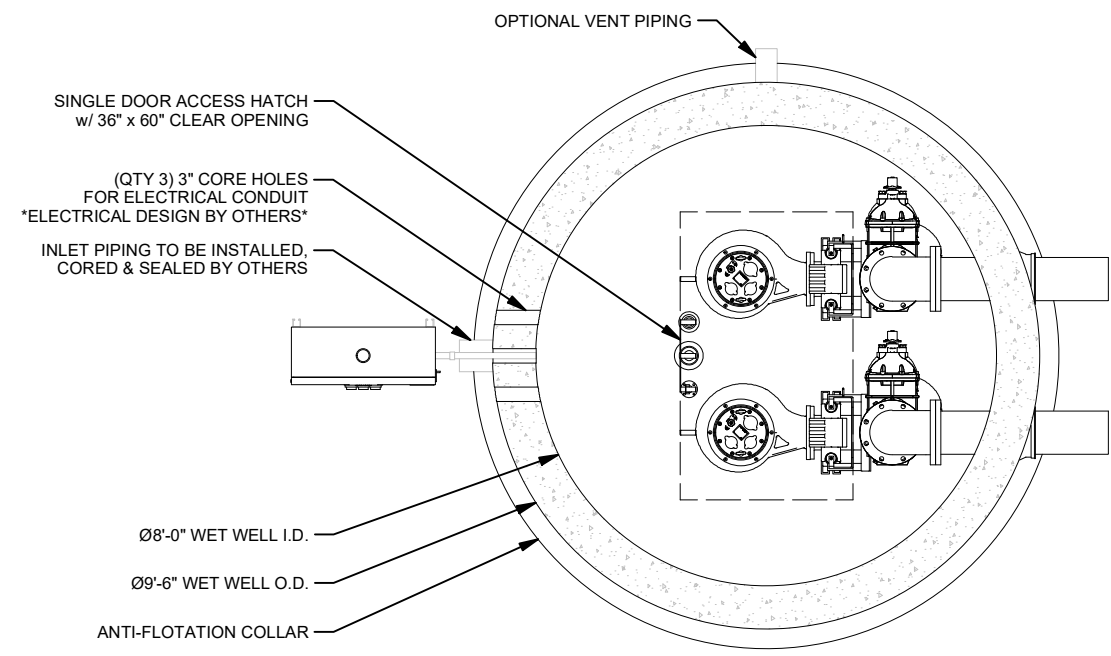
- 1.) All elevations have been provided by others, and have not been verified by Jensen Precast. Contractor to verify all dimensions and elevations in field prior to installation.
- 2.) These layout drawings are intended to show overall system design only. All concrete component thicknesses, dimensions, and joint orientations may vary across Jensen Precast's manufacturing facilities. Contractor to confirm all thicknesses, dimensions, and joint orientations prior to installation.
- 3.) System design criteria has been provided to Jensen Precast. Others are responsible for verification that system meets intended application.
- 4.) Foundation, subgrade, and backfill to be designed by others.

JENSEN  PUMP STATIONS

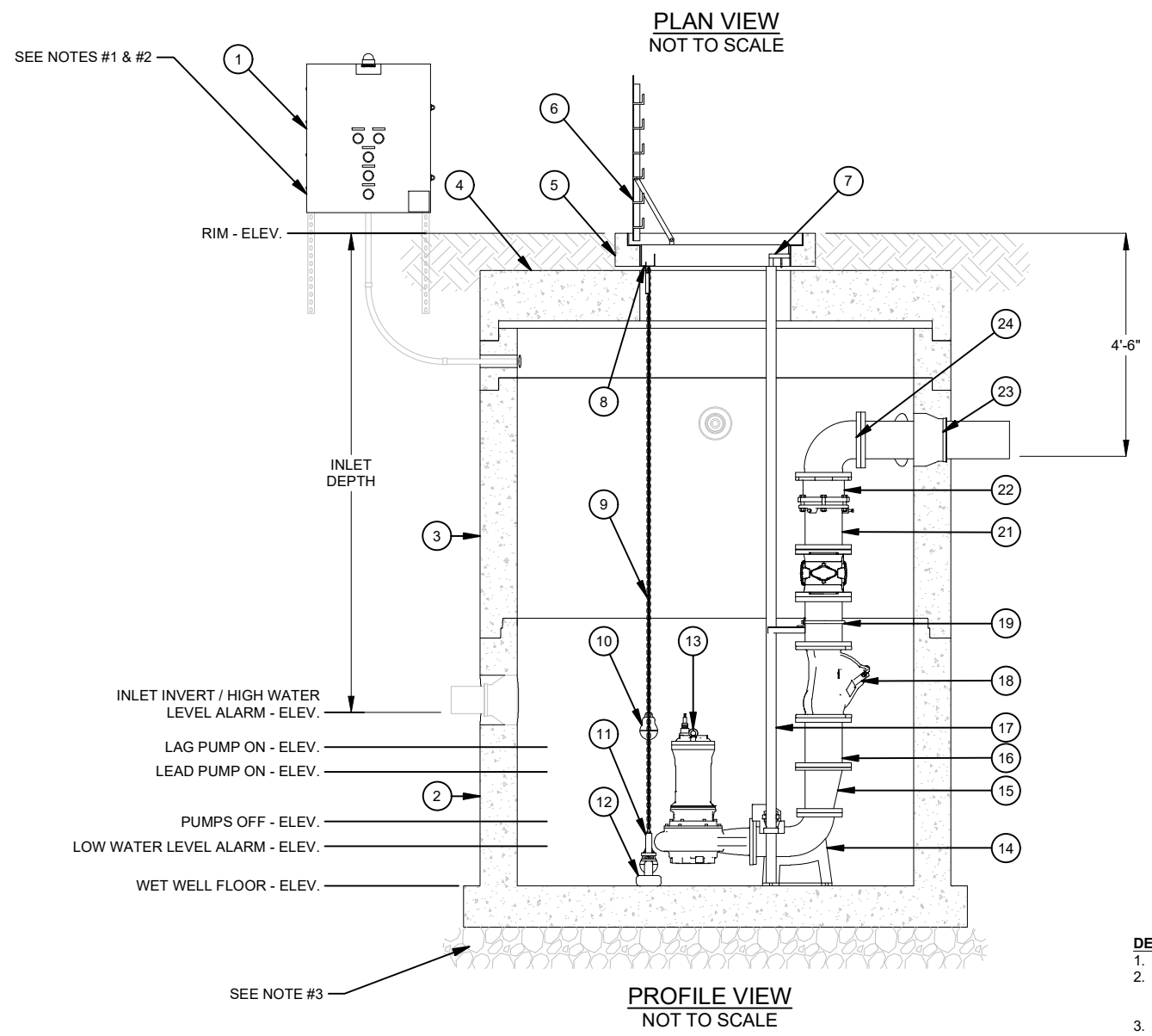
521 DUNN CIRCLE, SPARKS, NV 89431
www.jensenwaterresources.com
(855) 468-5600

©2018 Jensen Precast - All rights reserved.
All materials appearing as Jensen Precast documents and the like are proprietary work product and are protected under U.S. copyright and other laws.
Unless in conjunction with business conducted with Jensen Precast, any use of Jensen Precast work product without express, written consent is prohibited, and recipient is prohibited from distributing any and all work product to non-approved third parties under penalty of civil action.

DESCRIPTION:		REV:	
896-D SERIES STANDARD		TITLE SHEET	
PART NUMBER:	896-D Series Standard	DRAWN BY:	T. Handke
CREATED:		MODIFIED:	5/15/2020
			SHEET: 1 of 2



*CONNECTION TO FORCE MAIN DESIGNED & INSTALLED BY OTHERS



- DESIGN NOTES / DISCLAIMERS:**
1. CONTROL PANEL INSTALLATION, MOUNTING DESIGN & HARDWARE BY OTHERS.
 2. FINAL CONTROL PANEL LOCATION TO BE DETERMINED ACCORDING TO PROJECT REQUIREMENTS. CONSULT ALL SUBMITTED PUMP AND LEVEL CONTROL CABLE LENGTHS WHEN DETERMINING THE CONTROL PANEL LOCATION.
 3. ALL FOUNDATION, SUBGRADE, AND BACKFILL DESIGNED BY OTHERS.

BILL OF MATERIALS		
ITEM	QTY	DESCRIPTION
1	1	DUPLEX ALTERNATING CONTROL PANEL
2	1	96IN DIA. JENSEN PRECAST CONCRETE MANHOLE BASE *HEIGHT VARIES*
3	2	96IN DIA. JENSEN PRECAST CONCRETE MANHOLE BARRELS *HEIGHT VARIES*
4	1	96IN DIA. JENSEN PRECAST CONCRETE MANHOLE FLAT TOP
5	1	JENSEN PRECAST CONCRETE HATCH RISER
6	1	SINGLE DOOR HATCH WITH A CLEAR OPENING OF 36IN X 60IN
7	2	UPPER GUIDE RAIL BRACKET 6IN
8	1	JMT FLOAT BRACKET 3-HOOK FORMED SS
9	13 LF	LF CHAIN 1/4IN 316SS
10	2	FLOAT SWITCH w/ 100' CABLE
11	1	PRESSURE TRANSDUCER w/ 100' CABLE
12	1	ANCHOR 15LB PVC COATED
13	2	SUBMERSIBLE PUMP 6IN
14	2	AUTOCOUPLING ASSY 6IN
15	2	ECCENTRIC REDUCER 8IN X 6IN DUCTILE IRON FLG
16	4	PIPE 6IN FLG X FLG DUCTILE IRON SPOOL
17	80 LF	LF PIPE 2IN SCH40 GUIDE RAIL 304SS
18	2	BALL CHECK VALVE 8IN
19	2	INTERMEDIATE GUIDE RAIL BRACKET 6IN
20	2	ISOLATION VALVE 8IN
21	4	PIPE 6IN FLG X PE DUCTILE IRON SPOOL *CUT TO LENGTH AS NEEDED*
22	2	RFCA 8IN W/ SS HARDWARE
23	2	FLEXIBLE PIPE CONNECTOR
24	2	90 DEG ELBOW 8IN DUCTILE IRON FLG

PROJECT SPECIFIC INFORMATION		
FINISHED GRADE (Ft.)		
RIM ELEV. (Ft.)		
INLET ELEV. (Ft.)		
FORCE MAIN DISCHARGE ELEV. (Ft.)		
AVAILABLE POWER SUPPLY	120V []	240V [] 480V []
AVAILABLE POWER PHASE	Single []	Three []

SYSTEM CHARACTERISTICS		
APPLICATION	SEWAGE []	STORM WATER []
DESIGN FLOW (gpm)		
TOTAL DYNAMIC HEAD (Ft.)		
STATIC HEAD (Ft.)		
PUMP MOTOR (Std / XP)	Standard []	XP/FM []
PUMP TYPE	Non-Clog []	Grinder [] Chopper [] Vortex []
PUMP RATED HP & CURRENT		
ACCESS HATCH LOAD LEVEL	Pedestrian []	Incidental H-20 [] Parking Lot H-20 [] Full Traffic H-20 []

ADDITIONAL OPTIONS		
OPTION	YES	NO
CONTROL PANEL SS ENCLOSURE	[]	[]
CONTROL PANEL AC UNIT	[]	[]
CONTROL PANEL REMOTE ALARM MONITORING	[]	[]
AIR RELEASE/VACUUM VALVE	[]	[]
INTERIOR LINER	[]	[]
CONCRETE WATERPROOFING	[]	[]
VENT PIPE	[]	[]
ODOR CONTROL VALVE	[]	[]
LIFTING CRANE	[]	[]
GENERATOR RECEPTACLE	[]	[]

DISCLAIMERS, INCLUDING BUT NOT LIMITED TO:

- 1.) All elevations have been provided by others, and have not been verified by Jensen Precast. Contractor to verify all dimensions and elevations in field prior to installation.
- 2.) These layout drawings are intended to show overall system design only. All concrete component thicknesses, dimensions, and joint orientations may vary across Jensen Precast's manufacturing facilities. Contractor to confirm all thicknesses, dimensions, and joint orientations prior to installation.
- 3.) System design criteria has been provided to Jensen Precast. Others are responsible for verification that system meets intended application.
- 4.) Foundation, subgrade, and backfill to be designed by others.

JENSEN PUMP STATIONS

521 DUNN CIRCLE, SPARKS, NV 89431
 www.jensenwaterresources.com
 (855) 468-5600

©2018 Jensen Precast - All rights reserved.
 All materials appearing as Jensen Precast documents and the like are proprietary work product and are protected under U.S. copyright and other laws.
 Unless in conjunction with business conducted with Jensen Precast, any use of Jensen Precast work product without express, written consent is prohibited, and recipient is prohibited from distributing any and all work product to non-approved third parties under penalty of civil action.

DESCRIPTION: **896-D SERIES STANDARD**

MECHANICAL DETAIL

PART NUMBER: 896-D Series Standard

CREATED:

DRAWN BY: T. Handke

MODIFIED: 5/15/2020

REV: SHEET: 2 OF 2

896-D Series Standard.dwg