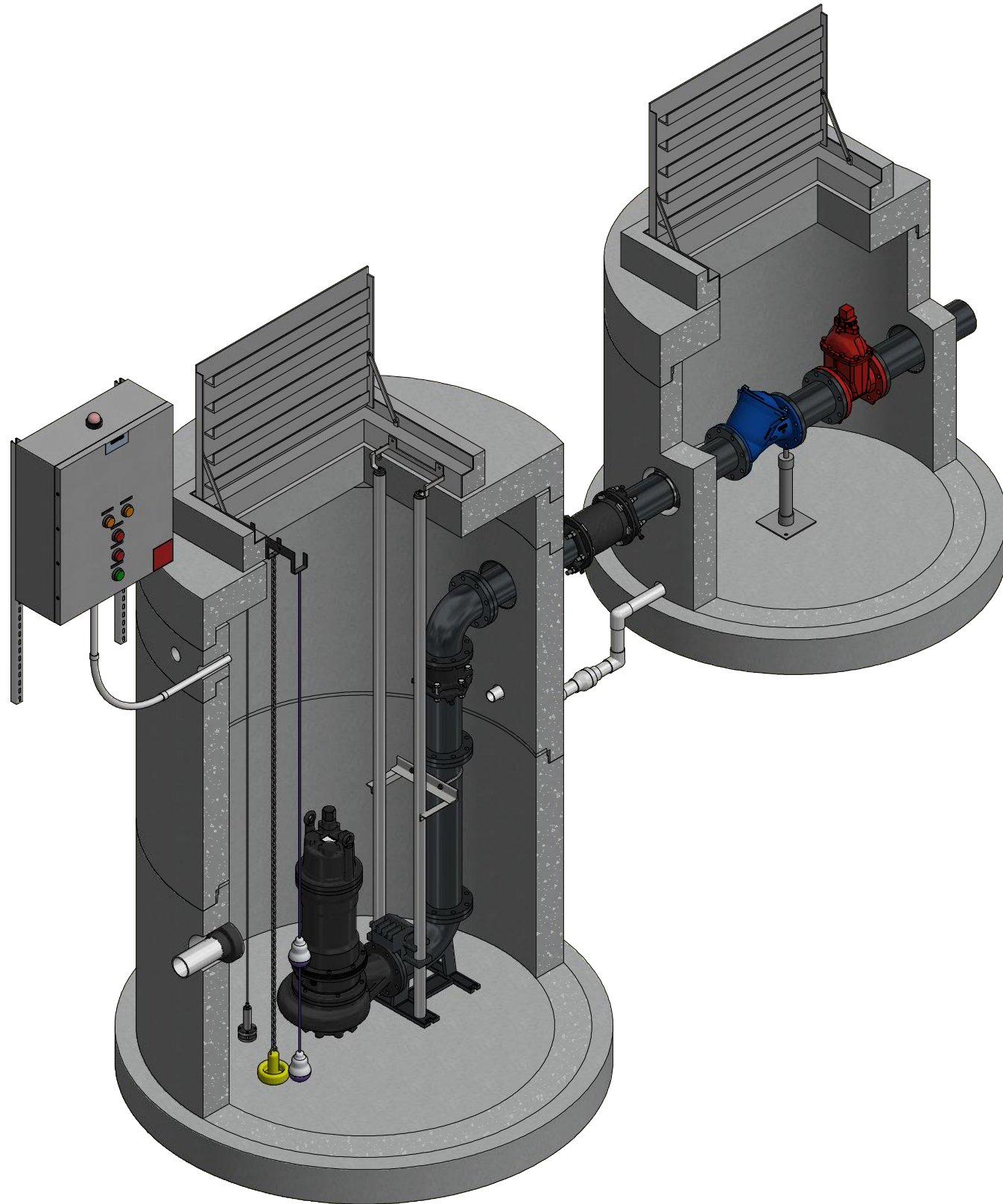
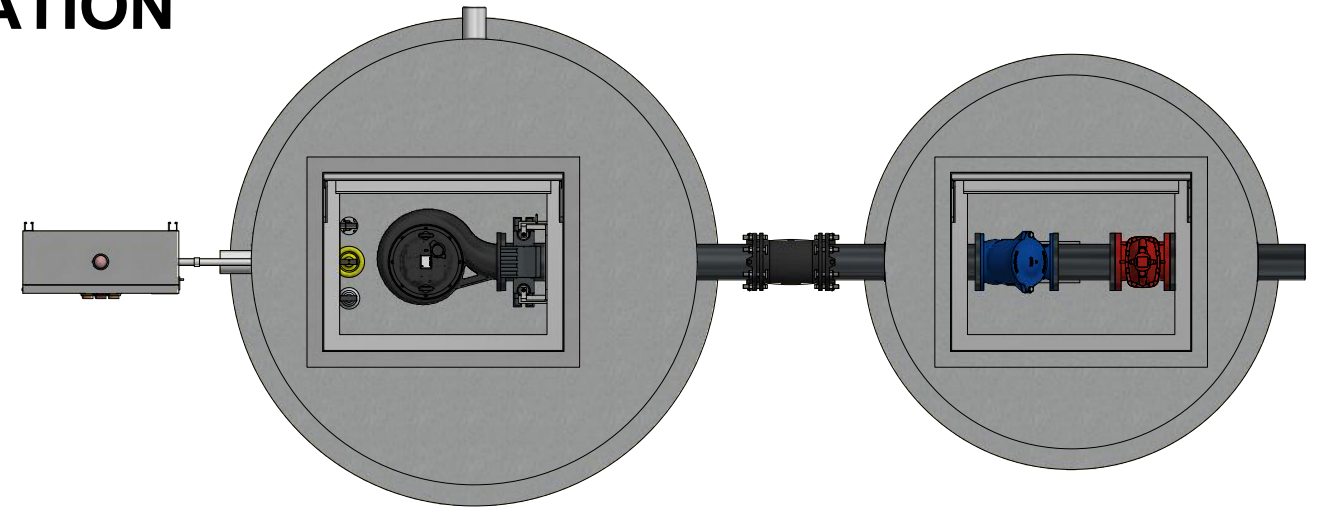


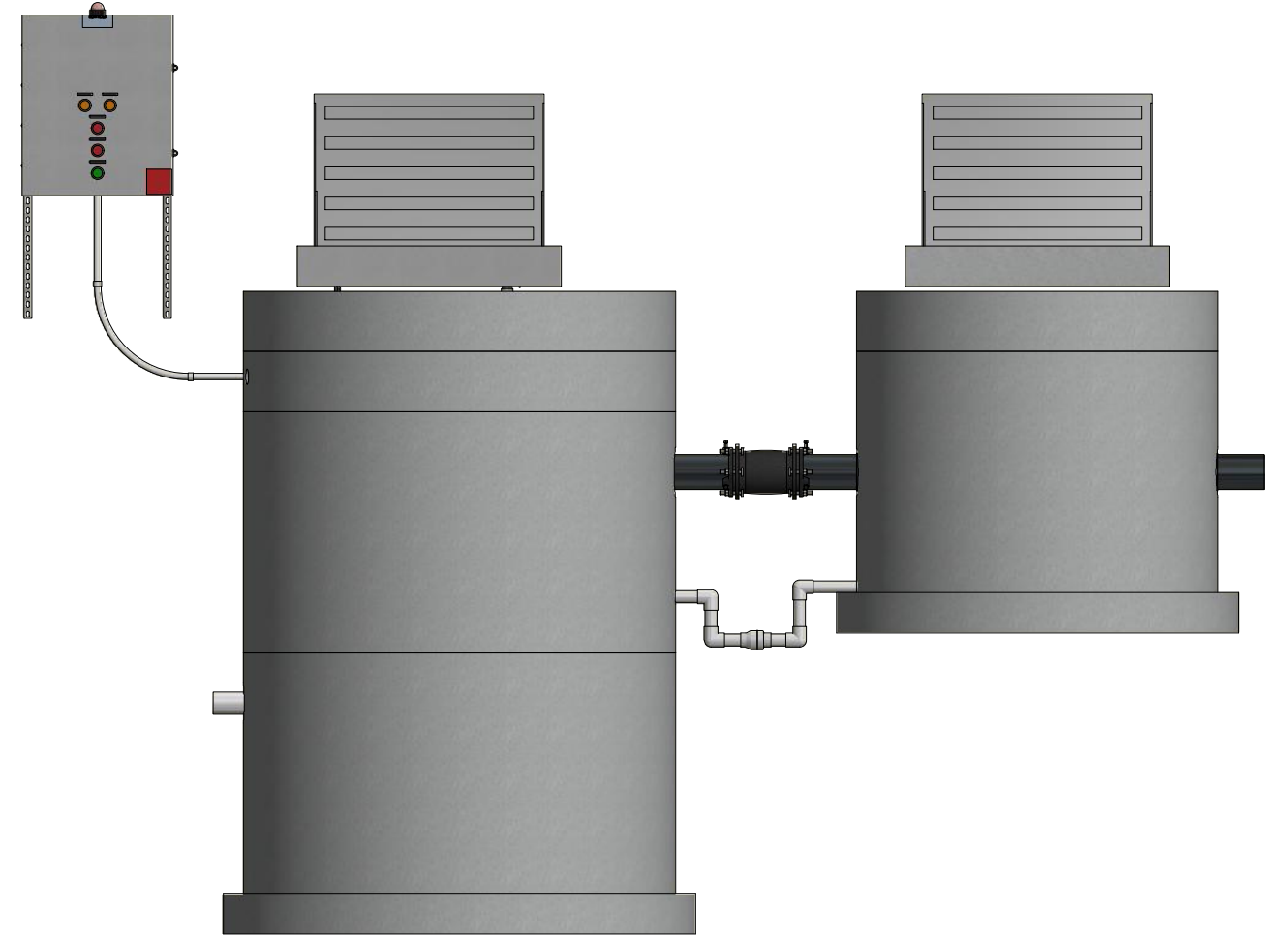
672-SV SERIES STANDARD SIMPLEX PUMP STATION



TOP LEFT ISOMETRIC VIEW w/ SECTION
NOT TO SCALE



PLAN VIEW
NOT TO SCALE



PROFILE VIEW
NOT TO SCALE

672-SV Series Standard.idw

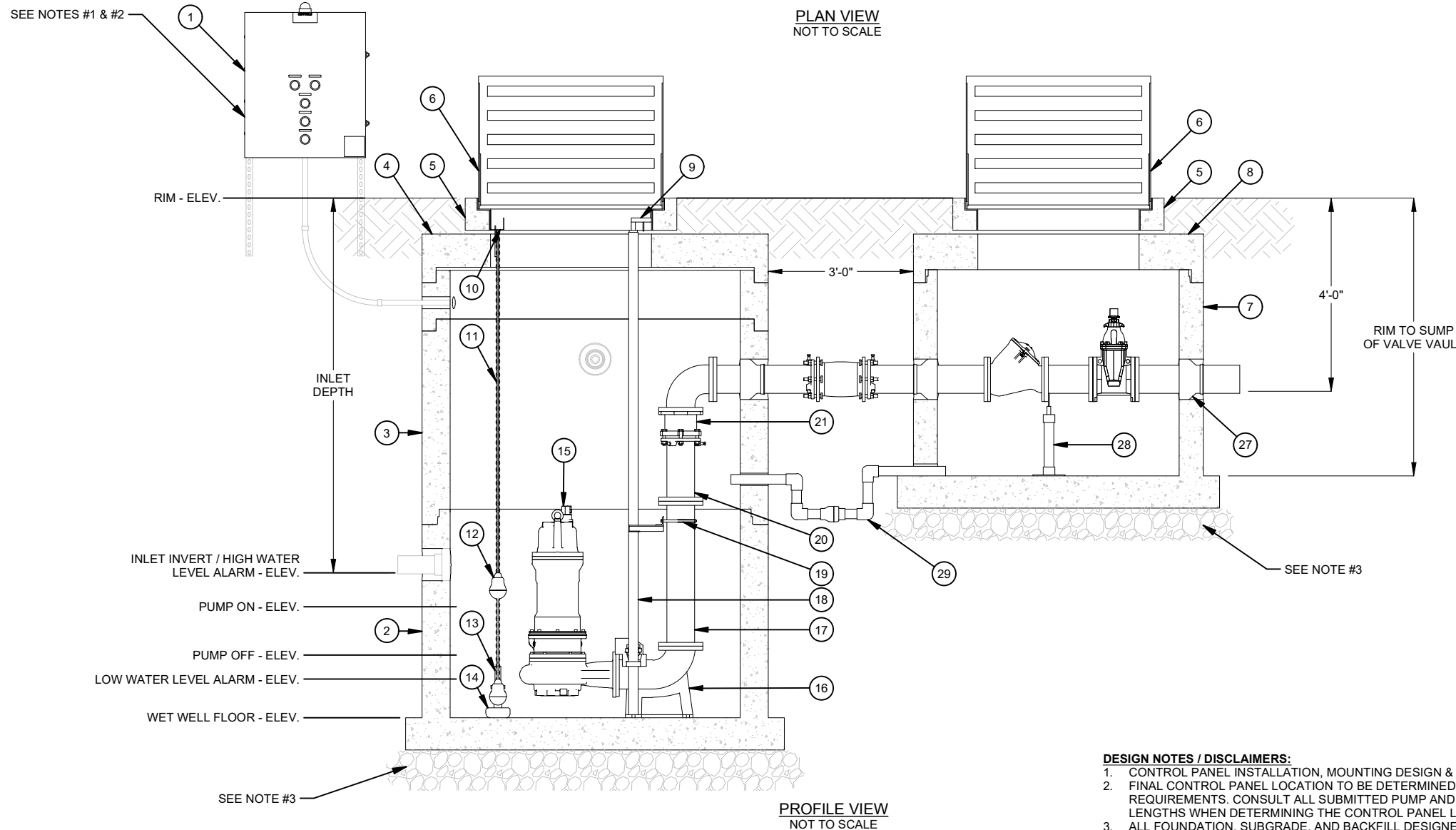
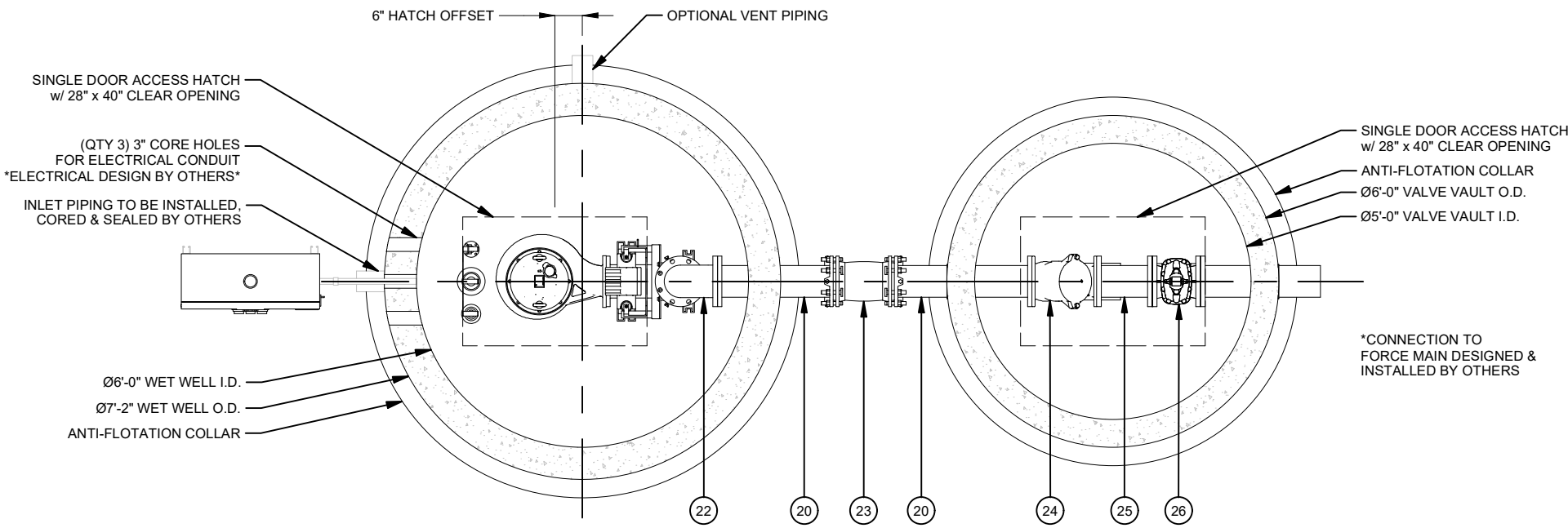
DISCLAIMERS, INCLUDING BUT NOT LIMITED TO:

- 1.) All elevations have been provided by others, and have not been verified by Jensen Precast. Contractor to verify all dimensions and elevations in field prior to installation.
- 2.) These layout drawings are intended to show overall system design only. All concrete component thicknesses, dimensions, and joint orientations may vary across Jensen Precast's manufacturing facilities. Contractor to confirm all thicknesses, dimensions, and joint orientations prior to installation.
- 3.) System design criteria has been provided to Jensen Precast. Others are responsible for verification that system meets intended application.
- 4.) Foundation, subgrade, and backfill to be designed by others.

JENSEN  PUMP STATIONS
 521 DUNN CIRCLE, SPARKS, NV 89431
www.jensenwaterresources.com
 (855) 468-5600

©2018 Jensen Precast - All rights reserved.
 All materials appearing as Jensen Precast documents and the like are proprietary work product and are protected under U.S. copyright and other laws.
 Unless in conjunction with business conducted with Jensen Precast, any use of Jensen Precast work product without express, written consent is prohibited, and recipient is prohibited from distributing any and all work product to non-approved third parties under penalty of civil action.

DESCRIPTION:		REV:	
672-SV SERIES STANDARD			
TITLE SHEET			
PART NUMBER:	672-SV Series Standard	DRAWN BY:	T. Handke
CREATED:		MODIFIED:	5/11/2020
			SHEET: 1 of 2



BILL OF MATERIALS		
ITEM	QTY	DESCRIPTION
1	1	SIMPLEX CONTROL PANEL
2	1	72IN DIA. JENSEN PRECAST CONCRETE MANHOLE BASE *HEIGHT VARIES*
3	2	72IN DIA. JENSEN PRECAST CONCRETE MANHOLE BARRELS *HEIGHT VARIES*
4	1	72IN DIA. JENSEN PRECAST CONCRETE MANHOLE FLAT TOP
5	2	JENSEN PRECAST CONCRETE HATCH RISER
6	2	SINGLE DOOR HATCH WITH A CLEAR OPENING OF 28IN X 40IN
7	1	60IN DIA. JENSEN PRECAST CONCRETE MANHOLE BASE *HEIGHT VARIES*
8	1	60IN DIA. JENSEN PRECAST CONCRETE MANHOLE FLAT TOP
9	1	UPPER GUIDE RAIL BRACKET 6IN
10	1	JMT FLOAT BRACKET 3-HOOK FORMED SS
11	10 LF	LF CHAIN 1/4IN 316SS
12	2	FLOAT SWITCH w/ 100' CABLE
13	1	PRESSURE TRANSDUCER w/ 100' CABLE
14	1	ANCHOR 15LB PVC COATED
15	1	SUBMERSIBLE PUMP 6IN
16	1	AUTOCOUPLING ASSY 6IN
17	1	PIPE 6IN FLG X FLG DUCTILE IRON SPOOL
18	20 LF	LF PIPE 2IN SCH40 GUIDE RAIL 304SS
19	1	INTERMEDIATE GUIDE RAIL BRACKET 6IN
20	4	PIPE 6IN FLG X PE DUCTILE IRON SPOOL *CUT TO LENGTH AS NEEDED*
21	1	RFCA 6IN W/ SS HARDWARE
22	1	90 DEG ELBOW 6IN DUCTILE IRON FLG
23	1	MJ SLEEVE 6IN WITH SS BOLT AND MJ GASKET
24	1	BALL CHECK VALVE 6IN
25	1	PIPE 6IN FLG X FLG DUCTILE IRON SPOOL *AT LEAST 6 IN*
26	1	ISOLATION VALVE 6IN
27	3	FLEXIBLE PIPE CONNECTORS
28	1	PIPE SUPPORT
29	1	2IN DIA SCH40 PVC VAULT DRAIN w/ CHECK VALVE, TRAP & FITTINGS

PROJECT SPECIFIC INFORMATION		
FINISHED GRADE (Ft.)		
RIM ELEV. (Ft.)		
INLET ELEV. (Ft.)		
FORCE MAIN DISCHARGE ELEV. (Ft.)		
AVAILABLE POWER SUPPLY	120V []	240V [] 480V []
AVAILABLE POWER PHASE	Single []	Three []

SYSTEM CHARACTERISTICS		
APPLICATION	SEWAGE []	STORM WATER []
DESIGN FLOW (gpm)		
TOTAL DYNAMIC HEAD (Ft.)		
STATIC HEAD (Ft.)		
PUMP MOTOR (Std / XP)	Standard []	XP/FM []
PUMP TYPE	Non-Clog []	Grinder [] Chopper [] Vortex []
PUMP RATED HP & CURRENT		
ACCESS HATCH LOAD LEVEL	Pedestrian []	Incidental H-20 [] Parking Lot H-20 [] Full Traffic H-20 []

ADDITIONAL OPTIONS		
OPTION	YES	NO
CONTROL PANEL SS ENCLOSURE	[]	[]
CONTROL PANEL AC UNIT	[]	[]
CONTROL PANEL REMOTE ALARM MONITORING	[]	[]
AIR RELEASE/VACUUM VALVE	[]	[]
INTERIOR LINER	[]	[]
CONCRETE WATERPROOFING	[]	[]
VENT PIPE	[]	[]
ODOR CONTROL VALVE	[]	[]
LIFTING CRANE	[]	[]
GENERATOR RECEPTACLE	[]	[]

DESIGN NOTES / DISCLAIMERS:
 1. CONTROL PANEL INSTALLATION, MOUNTING DESIGN & HARDWARE BY OTHERS.
 2. FINAL CONTROL PANEL LOCATION TO BE DETERMINED ACCORDING TO PROJECT REQUIREMENTS. CONSULT ALL SUBMITTED PUMP AND LEVEL CONTROL CABLE LENGTHS WHEN DETERMINING THE CONTROL PANEL LOCATION.
 3. ALL FOUNDATION, SUBGRADE, AND BACKFILL DESIGNED BY OTHERS.

DISCLAIMERS, INCLUDING BUT NOT LIMITED TO:
 1.) All elevations have been provided by others, and have not been verified by Jensen Precast. Contractor to verify all dimensions and elevations in field prior to installation.
 2.) These layout drawings are intended to show overall system design only. All concrete component thicknesses, dimensions, and joint orientations may vary across Jensen Precast's manufacturing facilities. Contractor to confirm all thicknesses, dimensions, and joint orientations prior to installation.
 3.) System design criteria has been provided to Jensen Precast. Others are responsible for verification that system meets intended application.
 4.) Foundation, subgrade, and backfill to be designed by others.

521 DUNN CIRCLE, SPARKS, NV 89431
www.jensenwaterresources.com
(855) 468-5600

©2018 Jensen Precast - All rights reserved.
 All materials appearing as Jensen Precast documents and the like are proprietary work product and are protected under U.S. copyright and other laws.
 Unless in conjunction with business conducted with Jensen Precast, any use of Jensen Precast work product without express, written consent is prohibited, and recipient is prohibited from distributing any and all work product to non-approved third parties under penalty of civil action.

DESCRIPTION: **672-SV SERIES STANDARD**

MECHANICAL DETAIL

PART NUMBER: 672-SV Series Standard	DRAWN BY: T. Handke
CREATED:	MODIFIED: 5/11/2020

REV: SHEET: 2 OF 2