

LID DRYWELL DIMENSION TABLE

Label	A	B	C	D	E	F	G	H	I
Description & Units	DRYWELL'S TOTAL DEPTH (XX'-XX")	SETTLING CHAMBER HEIGHT (XX'-XX")	DEPTH TO INLET PIPE INVERT (XX'-XX")	INLET PIPE DIAMETER & Type (XX") (PVC?HDPE)	SETTLING CHAMBER DEPTH BELOW INLET INVERT (XX'-XX")	DEPTH OF 72-IN Ø DRILLED SHAFT (XX'-XX")	DEPTH OF 48-IN Ø DRILLED SHAFT (XX'-XX")	DIAMETER OF PVC OVERFLOW DROP PIPE (XX")	DIAMETER OF SDR-35 OVERFLOW DROP PIPE (XX")
Value									

PRECAST STRUCTURE HEIGHTS

48"Ø MANHOLE	XX'-XX"
42"Ø DRYWELL	SOLID WALL XX'-XX"
	PERFORATED WALL XX'-XX"

STORMVAULT DRYWELL - LID INFILTRATION SHAFTING
MODEL: SVDW-48, SINGLE DRYWELL LID SHAFT

HYDRAULIC INFILTRATION CAPACITY & PRETREATMENT NOTES :

- INFILTRATION CAPACITY OF A GIVEN DRYWELL IS PRIMARILY DETERMINED BY THE INSTALLATION SITE SOIL CHARACTERISTICS AND THE SURFACE AREA OF THE DRILLED SHAFT.
- THE PERFORATIONS OF THE LINER AND SLOTTED INFILTRATION PIPING ARE SECONDARY, NON-GOVERNING FACTORS IN DETERMINING THE INFILTRATION CAPACITY OF AN INDIVIDUAL DRYWELL.
- PRETREATMENT CONSIDERATIONS FOR THE FOLLOWING WATER QUALITY CONSTITUENTS:
 - FINE AND COARSE SOLIDS AND TOTAL SUSPENDED SOLIDS
 - OIL & GREASE ABSORBENT
 - OIL FLOATATION
 - COARSE SCREENING OF TRASH AND DEBRIS
- PRETREATMENT OPTIONS: SIMPLE WATER QUALITY MANHOLE OR MORE ADVANCED PRETREATMENT SYSTEMS AVAILABLE FROM JENSEN STORMWATER TO INCLUDE JENSEN DEFLECTIVE SEPARATOR, JENSEN HIGH VELOCITY INTERCEPTOR, SAND/OIL AND GREASE INTERCEPTORS, TRUE COALESCING MEDIA AND PLATE SYSTEMS AS WELL AS PHYSICAL AND/OR CATIONIC EXCHANGE FILTRATION OF SOLIDS OR TARGETED DISSOLVED HEAVY METALS, NUTRIENTS AND BACTERIA.

GENERAL NOTES :

- THIS LAYOUT SKETCH IS PROVIDED IN A SCHEMATIC FORMAT. DETAIL OF JENSEN DIVERSION MANHOLE/BYPASS STRUCTURE WITH ADJUSTABLE WEIR AND OPTION FORMED BASE CHANNELS NOT SHOWN. THIS SHEET IS IN ENGINEERING & CONSTRUCTION FORMATTED DETAIL. ENGINEERING & CONSTRUCTION DETAIL READILY AVAILABLE. CONTACT JENSEN PRECAST.
- PLAN VIEW TOP SLAB WITH FRAMES AND COVERS ARE NOT SHOWN FOR CLARITY.
- INLET/OUTLET PIPE STUBS PROVIDED BY JENSEN PRECAST, PIPE TYPE ADAPTORS PROVIDED BY CUSTOMER.
- OIL SORBENT MATS TO BE EQUIPPED WITH RETAINING CORD AND RING, SECURED TO OR UNDER FRAME AND COVER, FOR HAND ACCESS BY OTHERS.
- DESIGN LOAD: H-20 TRAFFIC FROM 1' TO 6' OF COVER PER ASTM C890 & C915 AND ASSHTO LOADING METHODS.
- CONTACT JENSEN PRECAST FOR OTHER INSTALLATION DEPTHS, INLET/OUTLET CONFIGURATIONS, AND/OR LOADING CONDITIONS FOR STRUCTURAL DESIGN REVISION TO MEET PROJECT SPECIFIC NEEDS.

CONSTRUCTION NOTES :

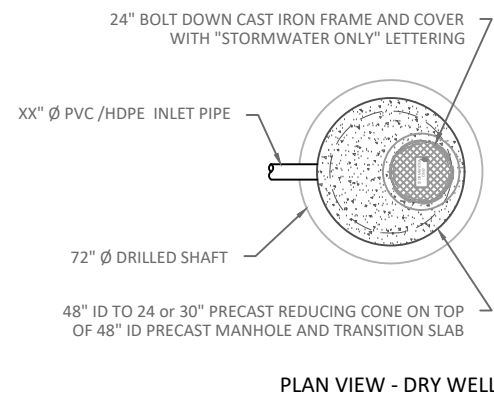
- CONTRACTOR TO VERIFY VERTICAL DIMENSIONS OF ALL PRECAST PIECES IN FIELD.
- VERIFY BASE MATERIAL ELEVATIONS BEFORE PLACING PRECAST COMPONENTS OR BACKFILLING.
- APPLY BUTYL MASTIC AND/OR GROUT TO SEAL JOINTS OF MANHOLE AND DRYWELL JOINTS.
- APPLY LOAD TO MASTIC SEAL IN JOINTS OF PRECAST MANHOLE AND DRYWELL SECTIONS TO COMPRESS SEALANT IF NECESSARY.
- PRECAST MANHOLE AND DRYWELL SECTIONS TO BE SET IN THE CENTER OF THE DRILLED SHAFT.

MATERIALS :

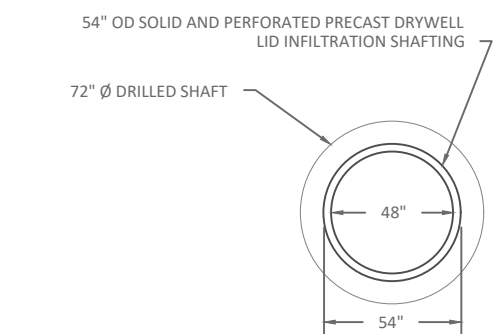
- ALL DIMENSIONS ARE IN FEET OR DECIMAL INCHES.
- PRECAST MATERIALS AND MANUFACTURING METHODS OF CONES AND CYLINDERS REINFORCED TO CONFORM TO C-478.
- CONCRETE SHALL HAVE A MINIMUM COMPRESSIVE STRENGTH F'c = 4,000-psi AT 28-DAYS.
- THE PORTLAND CEMENT USED IN THE PRECAST SECTION SHALL MEET THE REQUIREMENTS OF TYPE II/V HIGH SULFATE RESISTANT CEMENT IN ACCORDANCE WITH ASTM CLASS M C-150.
- GEOTEXTILE BARRIER SHALL BE 4-ONCE NON-WOVEN FABRIC.

LIFTING WEIGHTS :

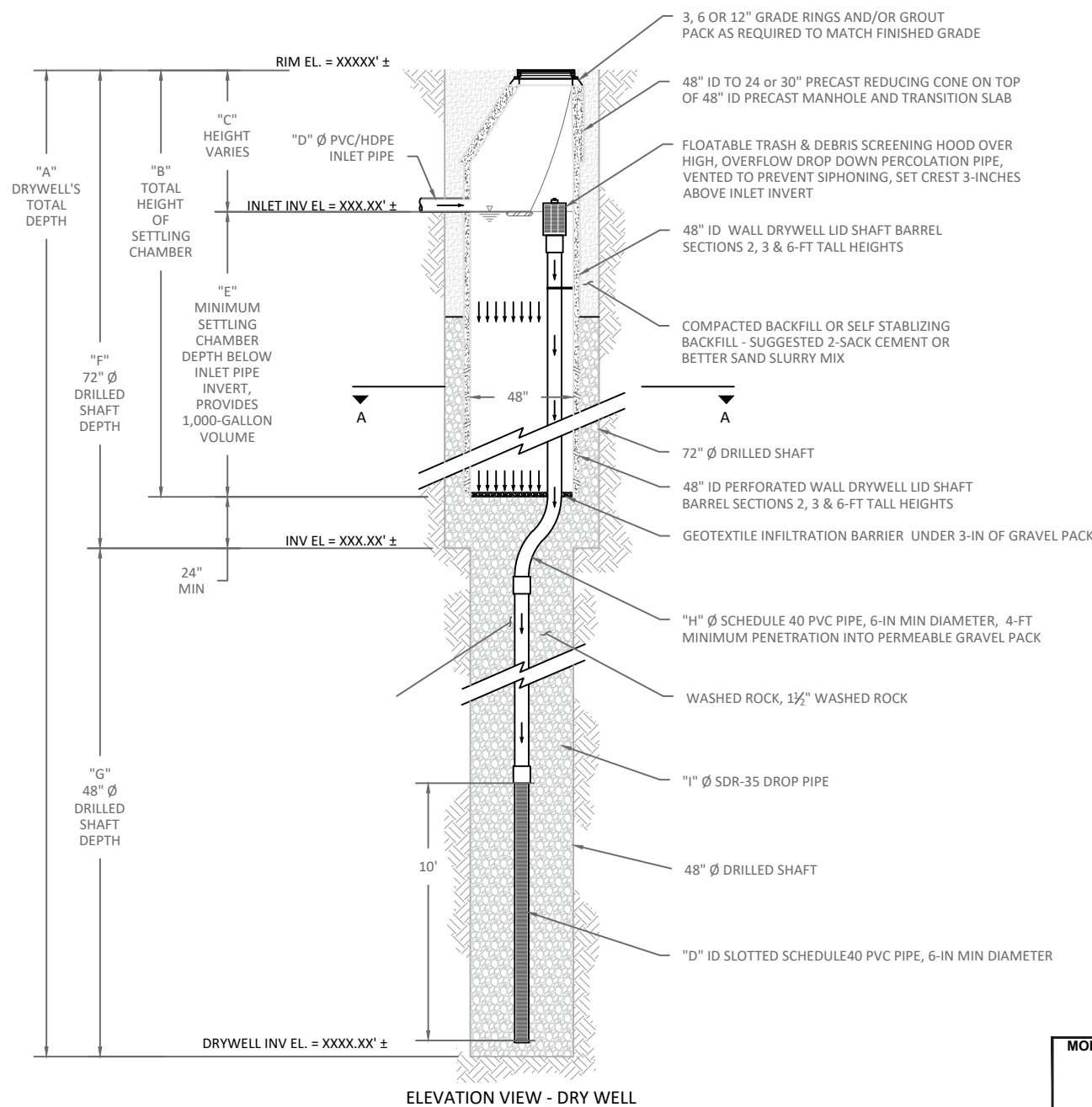
- HEAVIEST PICK WEIGHT IS 3,600-LBS
- JENSEN CRANE TRUCK CAN SET A MAXIMUM OF 25,000-LBS AT 15-FT OFFSET DISTANCE FROM CENTER OF CRANE TRUNNION



PLAN VIEW - DRY WELL



SECTION AA - INFILTRATION SHAFTING



ELEVATION VIEW - DRY WELL

REGULATORY NOTES :

- DRY WELL MUST BE REGISTERED WITH THE ARIZONA DEPARTMENT OF ENVIRONMENTAL QUALITY (ADEQ).
- PRECAST LID SHAFT MUST PENETRATE INTO THE PERMEABLE SAND AND GRAVEL LAYER A MINIMUM OF 10-FT AND SHALL BE VERIFIED BY INSPECTION.
- MAINTAIN OR REPLACE DRYWELL TO ENSURE SURFACE WATER IS DRAINED VIA INFILTRATION WITHIN 36-HOURS. MAINTAIN PER MAINTENANCE GUIDELINES OR REPLACE.

SCALE: 1' = 6'

MODEL: SVDW-48 48" ID DRYWELL LID INFILTRATION SHAFTING		PROJECT: PROJECT NAME CITY, STATE			
ORG. DWG. DATE 6/4/2020	SCALE: AS SHOWN	SHEET SIZE 11" X 17"	DRAWN BY W. STEIN	521 DUNN CIRCLE, SPARKS, NV 89431-6312 (877) 649-0095 FAX (775) 440-2013 www.jensenengineeredsystems.com	
Copyright Information © 2011 Jensen Precast All Rights Reserved. All materials appearing as Jensen Precast documents and the like are propriety work product and are protected under U.S. copyright and other laws. Unless in conjunction with business conducted with Jensen Precast, any use of Jensen Precast work product without express, written consent is prohibited and recipient is prohibited from distributing any and all work product to non-approved third parties under penalty of civil action.			SHEET NUMBER SVDW42		