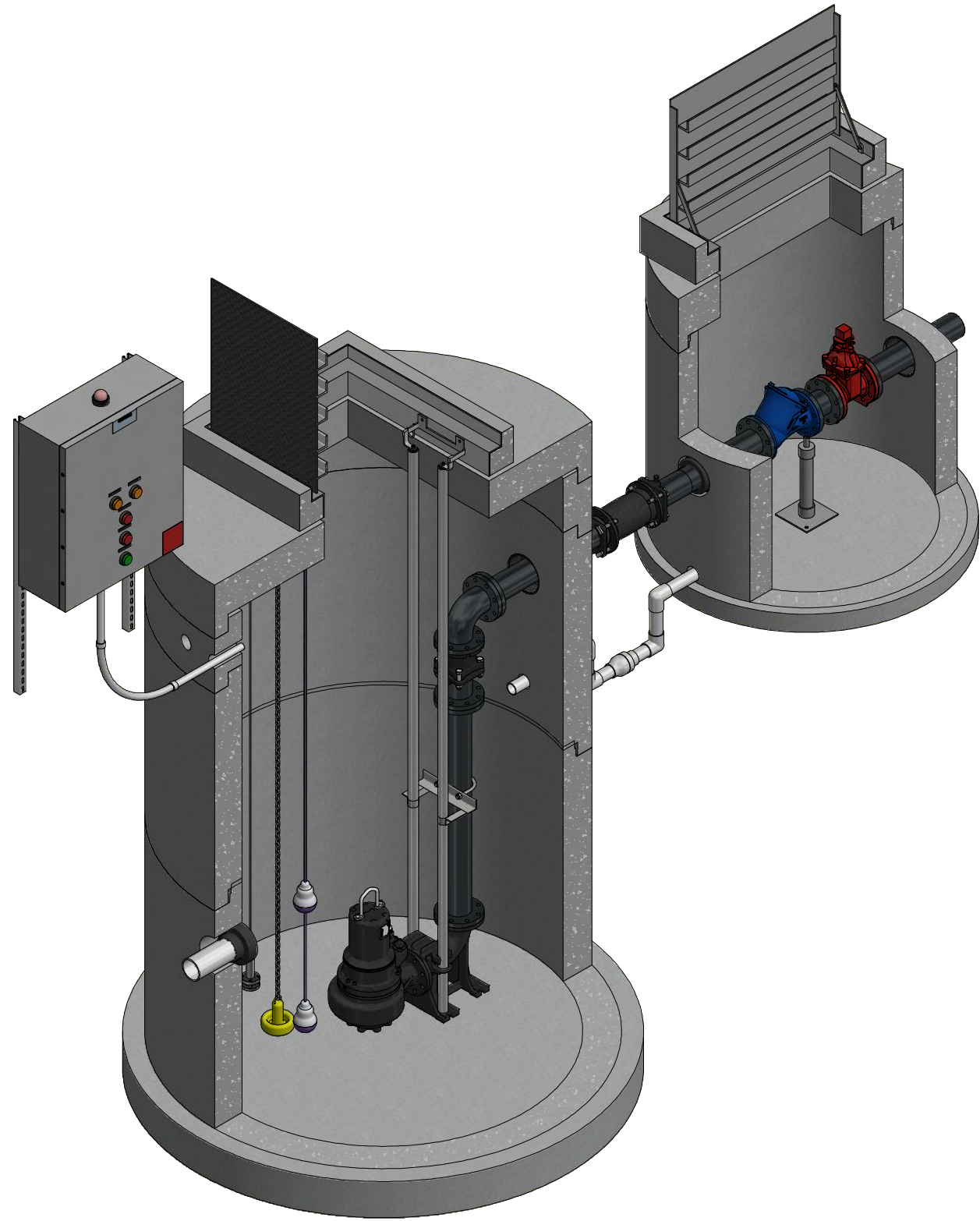
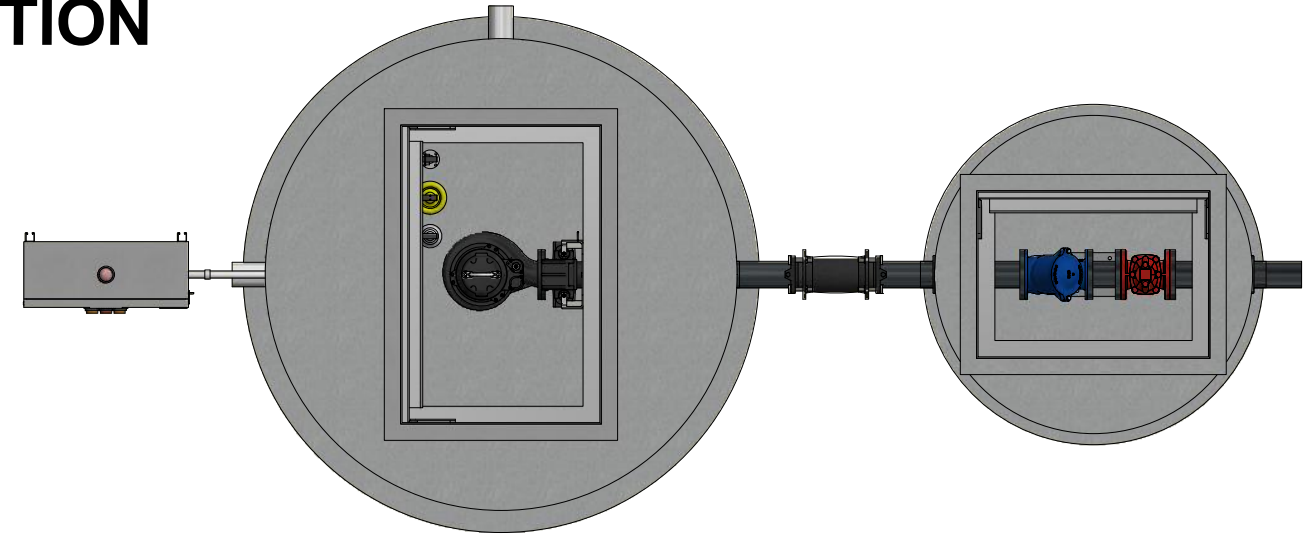


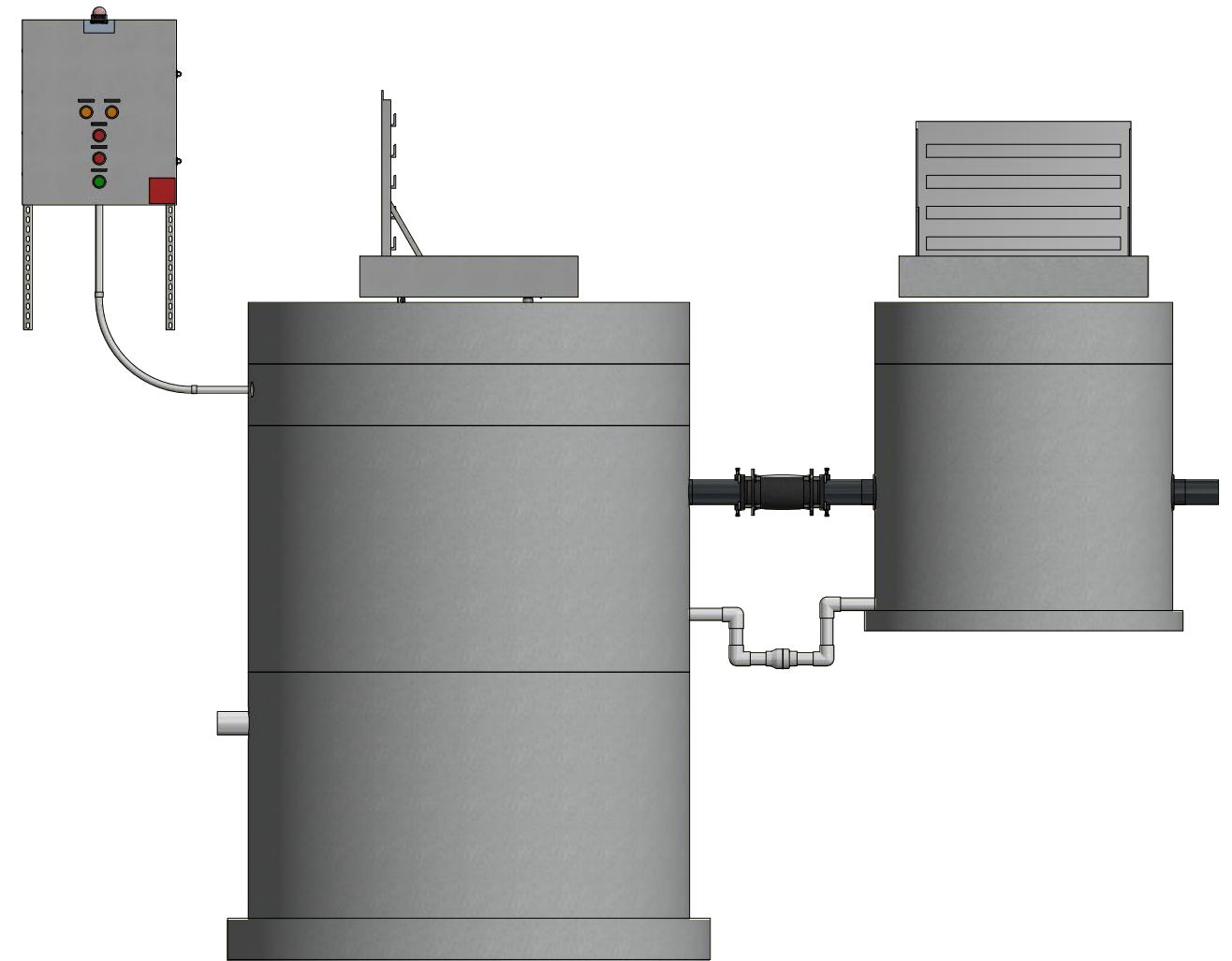
472-SV SERIES STANDARD SIMPLEX PUMP STATION



TOP LEFT ISOMETRIC VIEW w/ SECTION
NOT TO SCALE



PLAN VIEW
NOT TO SCALE



PROFILE VIEW
NOT TO SCALE

472-SV Series Standard.idw

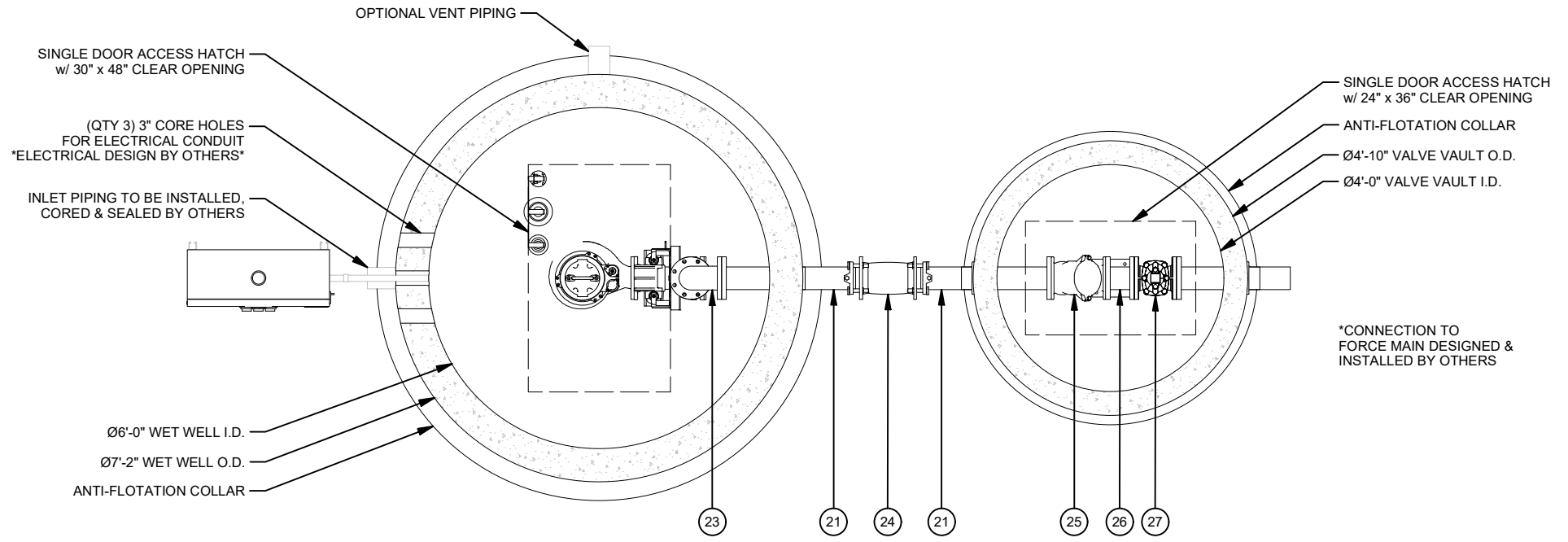
DISCLAIMERS, INCLUDING BUT NOT LIMITED TO:

- 1.) All elevations have been provided by others, and have not been verified by Jensen Precast. Contractor to verify all dimensions and elevations in field prior to installation.
- 2.) These layout drawings are intended to show overall system design only. All concrete component thicknesses, dimensions, and joint orientations may vary across Jensen Precast's manufacturing facilities. Contractor to confirm all thicknesses, dimensions, and joint orientations prior to installation.
- 3.) System design criteria has been provided to Jensen Precast. Others are responsible for verification that system meets intended application.
- 4.) Foundation, subgrade, and backfill to be designed by others.

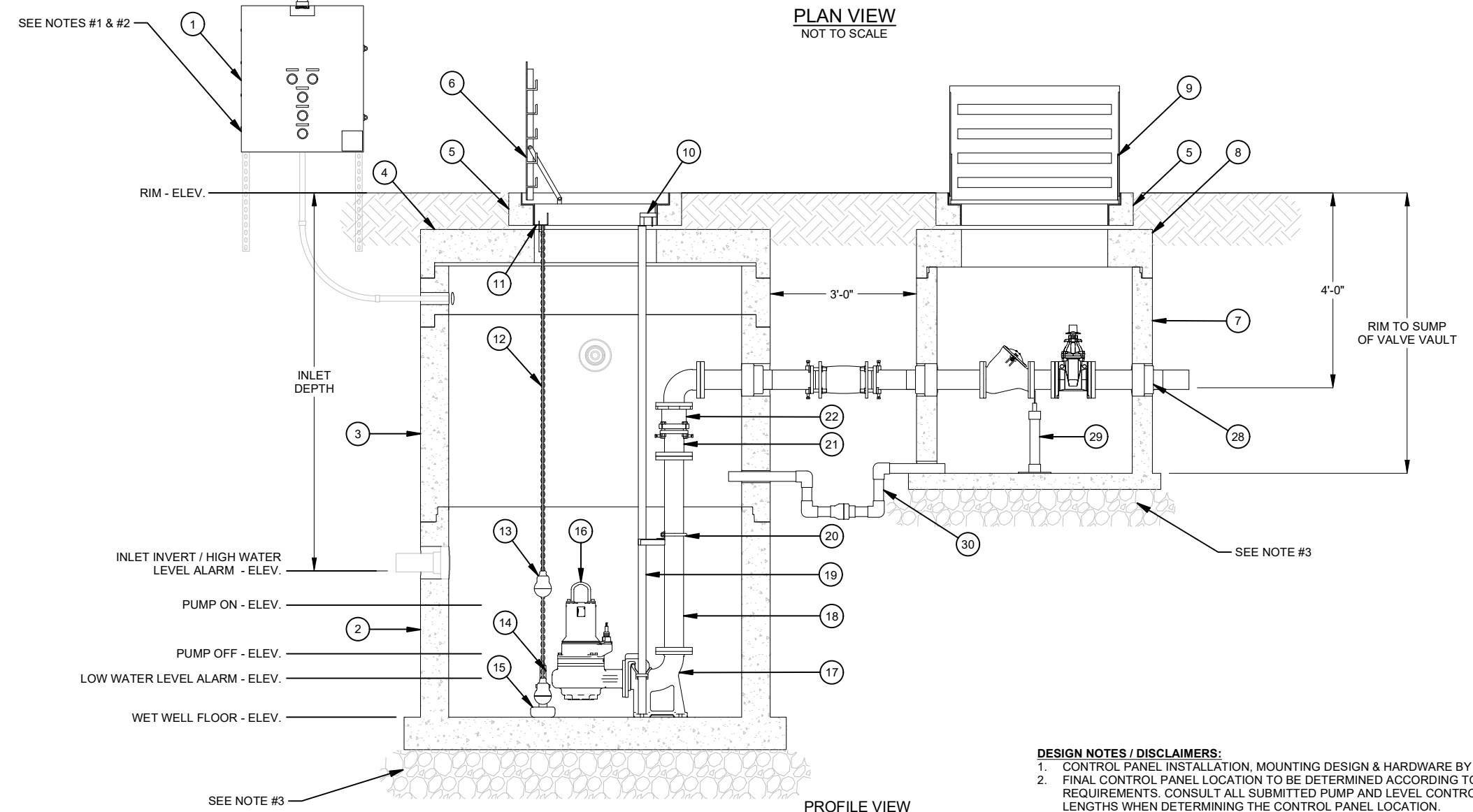
JENSEN  PUMP STATIONS
521 DUNN CIRCLE, SPARKS, NV 89431
www.jensenwaterresources.com
(855) 468-5600

©2018 Jensen Precast - All rights reserved.
All materials appearing as Jensen Precast documents and the like are proprietary work product and are protected under U.S. copyright and other laws.
Unless in conjunction with business conducted with Jensen Precast, any use of Jensen Precast work product without express, written consent is prohibited, and recipient is prohibited from distributing any and all work product to non-approved third parties under penalty of civil action.

DESCRIPTION:		472-SV SERIES STANDARD		REV:
		TITLE SHEET		
PART NUMBER:	472-SV Series Standard	DRAWN BY:	T. Handke	SHEET:
CREATED:		MODIFIED:	5/11/2020	1 OF 2



PLAN VIEW
NOT TO SCALE



PROFILE VIEW
NOT TO SCALE

DESIGN NOTES / DISCLAIMERS:
 1. CONTROL PANEL INSTALLATION, MOUNTING DESIGN & HARDWARE BY OTHERS.
 2. FINAL CONTROL PANEL LOCATION TO BE DETERMINED ACCORDING TO PROJECT REQUIREMENTS. CONSULT ALL SUBMITTED PUMP AND LEVEL CONTROL CABLE LENGTHS WHEN DETERMINING THE CONTROL PANEL LOCATION.
 3. ALL FOUNDATION, SUBGRADE, AND BACKFILL DESIGNED BY OTHERS.

BILL OF MATERIALS		
ITEM	QTY	DESCRIPTION
1	1	SIMPLEX CONTROL PANEL
2	1	72IN DIA. JENSEN PRECAST CONCRETE MANHOLE BASE *HEIGHT VARIES*
3	2	72IN DIA. JENSEN PRECAST CONCRETE MANHOLE BARRELS *HEIGHT VARIES*
4	1	72IN DIA. JENSEN PRECAST CONCRETE MANHOLE FLAT TOP
5	2	JENSEN PRECAST CONCRETE HATCH RISER
6	1	SINGLE DOOR HATCH WITH A CLEAR OPENING OF 30IN X 48IN
7	1	48IN DIA. JENSEN PRECAST CONCRETE MANHOLE BASE *HEIGHT VARIES*
8	1	48IN DIA. JENSEN PRECAST CONCRETE MANHOLE FLAT TOP
9	1	SINGLE DOOR HATCH WITH A CLEAR OPENING OF 24IN X 36IN
10	1	UPPER GUIDE RAIL BRACKET 4IN
11	1	JMT FLOAT BRACKET 3-HOOK FORMED SS
12	10 LF	LF CHAIN 1/4IN 316SS
13	2	FLOAT SWITCH w/ 100' CABLE
14	1	PRESSURE TRANSDUCER w/ 100' CABLE
15	1	ANCHOR 15LB PVC COATED
16	1	SUBMERSIBLE PUMP 4IN
17	1	AUTOCOUPLING ASSY 4IN
18	1	PIPE 4IN FLG X FLG DUCTILE IRON SPOOL
19	20 LF	LF PIPE 1-1/2IN SCH40 GUIDE RAIL 304SS
20	1	INTERMEDIATE GUIDE RAIL BRACKET 4IN
21	4	PIPE 4IN FLG X PE DUCTILE IRON SPOOL *CUT TO LENGTH AS NEEDED*
22	1	RFCA 4IN W/ SS HARDWARE
23	1	90 DEG ELBOW 4IN DUCTILE IRON FLG
24	1	MJ SLEEVE 4IN WITH SS BOLT AND MJ GASKET
25	1	BALL CHECK VALVE 4IN
26	1	PIPE 4IN FLG X FLG DUCTILE IRON SPOOL *AT LEAST 6IN*
27	1	ISOLATION VALVE 4IN FLG
28	3	FLEXIBLE PIPE CONNECTORS
29	1	PIPE SUPPORT
30	1	2IN DIA. PVC SCH40 DRAIN TRAP w/ CHECK VALVE, TRAP & FITTINGS

PROJECT SPECIFIC INFORMATION	
FINISHED GRADE (Ft.)	
RIM ELEV. (Ft.)	
INLET ELEV. (Ft.)	
FORCE MAIN DISCHARGE ELEV. (Ft.)	
AVAILABLE POWER SUPPLY	120V [] 240V [] 480V []
AVAILABLE POWER PHASE	Single [] Three []

SYSTEM CHARACTERISTICS		
APPLICATION	SEWAGE []	STORM WATER []
DESIGN FLOW (gpm)		
TOTAL DYNAMIC HEAD (Ft.)		
STATIC HEAD (Ft.)		
PUMP MOTOR (Std / XP)	Standard []	XP/FM []
PUMP TYPE	Non-Clog []	Grinder [] Chopper [] Vortex []
PUMP RATED HP & CURRENT		
ACCESS HATCH LOAD LEVEL	Pedestrian []	Incidental H-20 [] Parking Lot H-20 [] Full Traffic H-20 []

ADDITIONAL OPTIONS		
OPTION	YES	NO
CONTROL PANEL SS ENCLOSURE	[]	[]
CONTROL PANEL AC UNIT	[]	[]
CONTROL PANEL REMOTE ALARM MONITORING	[]	[]
AIR RELEASE/VACUUM VALVE	[]	[]
INTERIOR LINER	[]	[]
CONCRETE WATERPROOFING	[]	[]
VENT PIPE	[]	[]
ODOR CONTROL VALVE	[]	[]
LIFTING CRANE	[]	[]
GENERATOR RECEPTACLE	[]	[]

DISCLAIMERS, INCLUDING BUT NOT LIMITED TO:
 1.) All elevations have been provided by others, and have not been verified by Jensen Precast. Contractor to verify all dimensions and elevations in field prior to installation.
 2.) These layout drawings are intended to show overall system design only. All concrete component thicknesses, dimensions, and joint orientations may vary across Jensen Precast's manufacturing facilities. Contractor to confirm all thicknesses, dimensions, and joint orientations prior to installation.
 3.) System design criteria has been provided to Jensen Precast. Others are responsible for verification that system meets intended application.
 4.) Foundation, subgrade, and backfill to be designed by others.

JENSEN PUMP STATIONS
 521 DUNN CIRCLE, SPARKS, NV 89431
 www.jensenwaterresources.com
 (855) 468-5600

©2018 Jensen Precast - All rights reserved.
 All materials appearing as Jensen Precast documents and the like are proprietary work product and are protected under U.S. copyright and other laws.
 Unless in conjunction with business conducted with Jensen Precast, any use of Jensen Precast work product without express, written consent is prohibited, and recipient is prohibited from distributing any and all work product to non-approved third parties under penalty of civil action.

DESCRIPTION: **472-SV SERIES STANDARD**
 MECHANICAL DETAIL
 PART NUMBER: 472-SV Series Standard
 DRAWN BY: T. Handke
 CREATED: []
 MODIFIED: 5/11/2020
 REV: []
 SHEET: 2 OF 2

472-SV Series Standard.idw