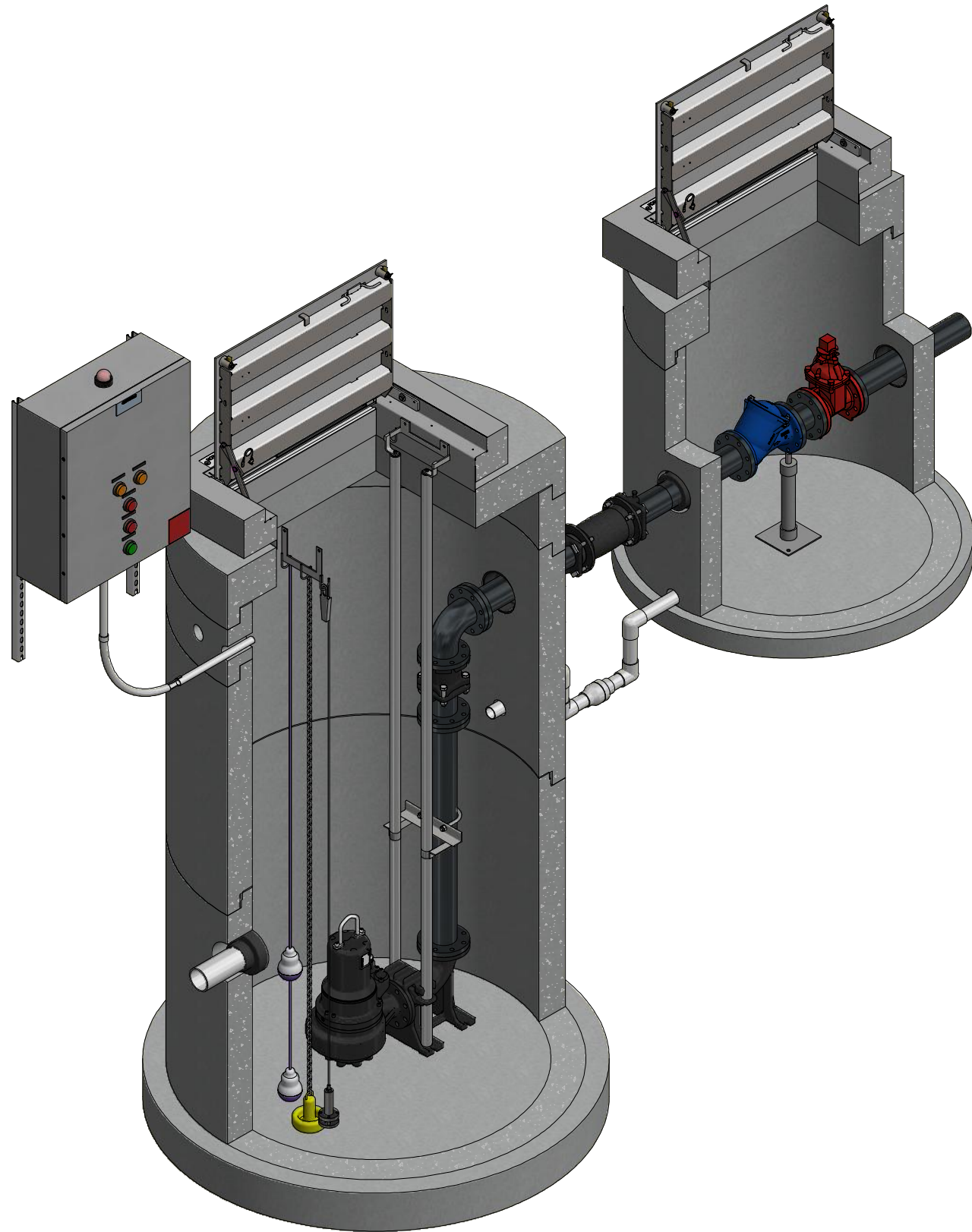
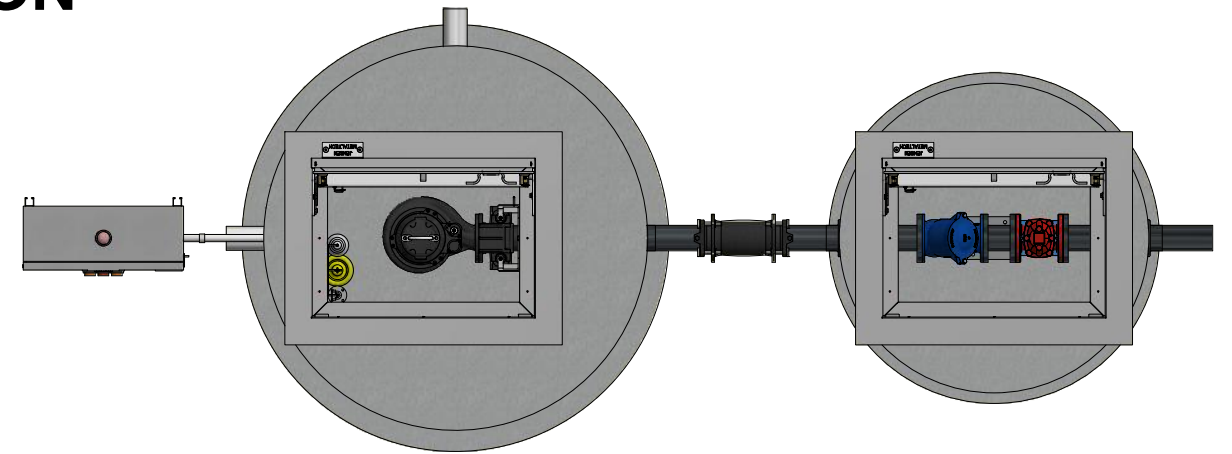


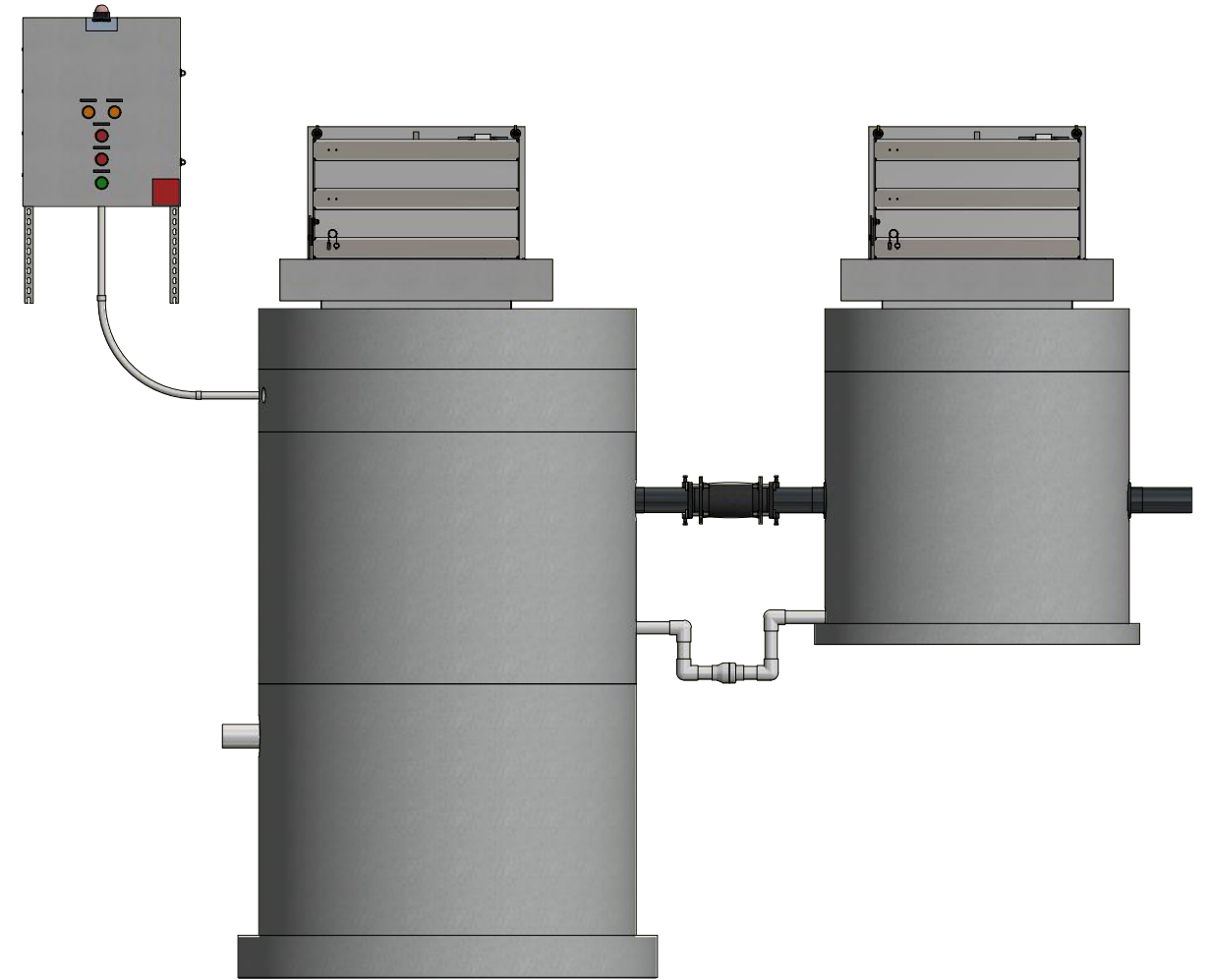
# 460-SV SERIES STANDARD SIMPLEX PUMP STATION



TOP LEFT ISOMETRIC VIEW w/ SECTION  
NOT TO SCALE



PLAN VIEW  
NOT TO SCALE



PROFILE VIEW  
NOT TO SCALE

460-SV Series Standard.idw

**DISCLAIMERS, INCLUDING BUT NOT LIMITED TO:**

- 1.) All elevations have been provided by others, and have not been verified by Jensen Precast. Contractor to verify all dimensions and elevations in field prior to installation.
- 2.) These layout drawings are intended to show overall system design only. All concrete component thicknesses, dimensions, and joint orientations may vary across Jensen Precast's manufacturing facilities. Contractor to confirm all thicknesses, dimensions, and joint orientations prior to installation.
- 3.) System design criteria has been provided to Jensen Precast. Others are responsible for verification that system meets intended application.
- 4.) Foundation, subgrade, and backfill to be designed by others.

**JENSEN**  PUMP STATIONS  
521 DUNN CIRCLE, SPARKS, NV 89431  
[www.jensenwaterresources.com](http://www.jensenwaterresources.com)  
(855) 468-5600

©2018 Jensen Precast - All rights reserved.  
All materials appearing as Jensen Precast documents and the like are proprietary work product and are protected under U.S. copyright and other laws.  
Unless in conjunction with business conducted with Jensen Precast, any use of Jensen Precast work product without express, written consent is prohibited, and recipient is prohibited from distributing any and all work product to non-approved third parties under penalty of civil action.

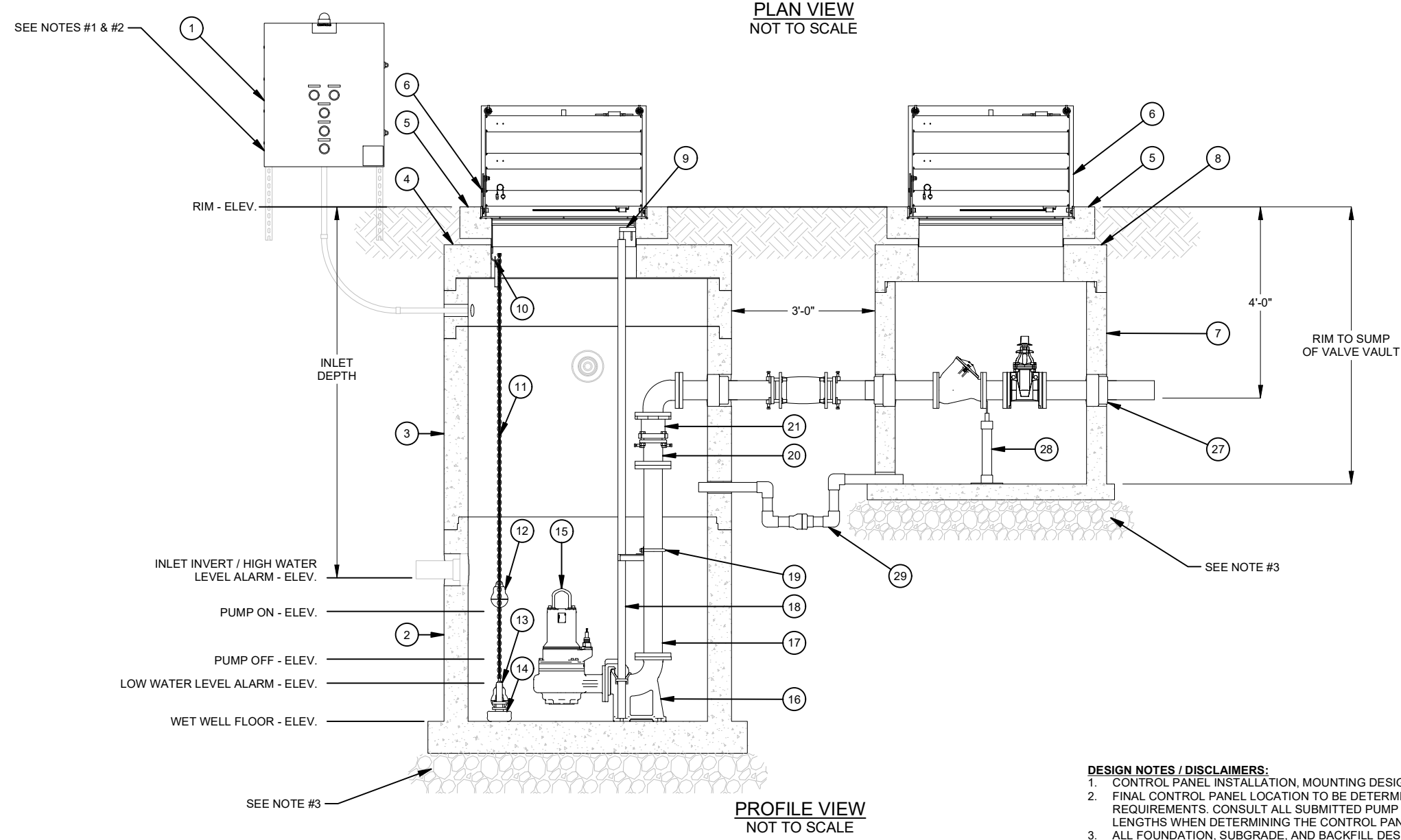
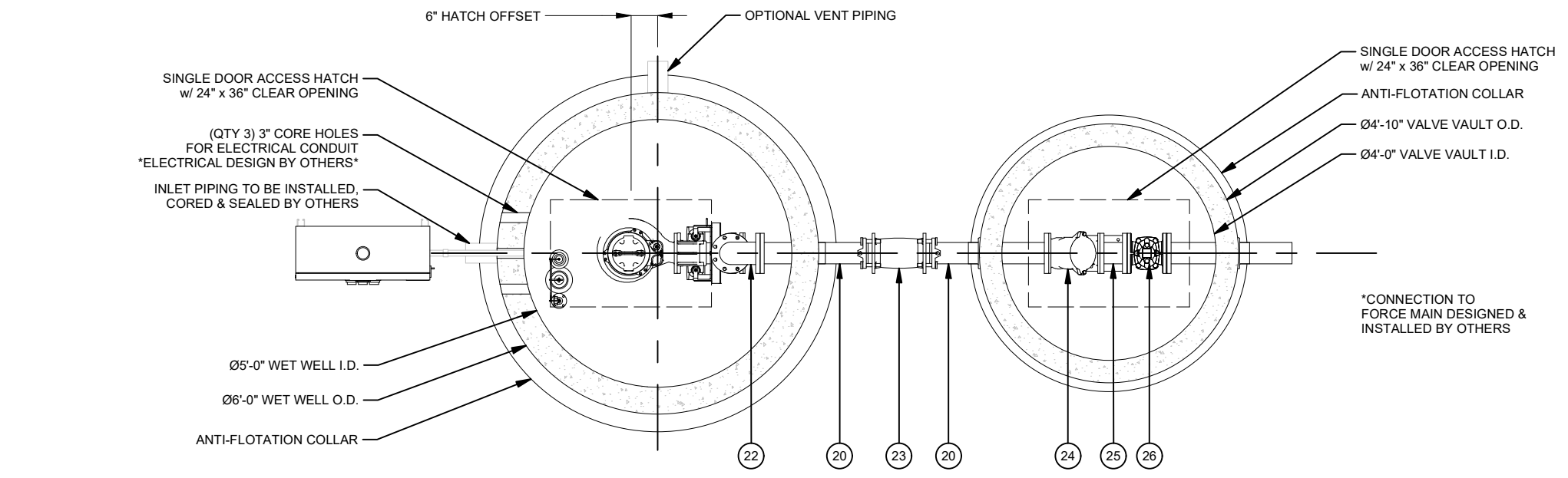
|                                     |          |                               |               |        |
|-------------------------------------|----------|-------------------------------|---------------|--------|
| DESCRIPTION:                        |          | <b>460-SV SERIES STANDARD</b> |               | REV:   |
| TITLE SHEET                         |          | DRAWN BY: <b>T. Handke</b>    |               | SHEET: |
| PART NUMBER: 460-SV Series Standard | CREATED: | MODIFIED: 4/30/2020           | <b>1 OF 2</b> |        |

| BILL OF MATERIALS |       |   |
|-------------------|-------|---|
| ITEM              | QTY   | DESCRIPTION   |
| 1                 | 1     | SIMPLEX CONTROL PANEL   |
| 2                 | 1     | 60IN DIA. JENSEN PRECAST CONCRETE MANHOLE BASE *HEIGHT VARIES*    |
| 3                 | 2     | 60IN DIA. JENSEN PRECAST CONCRETE MANHOLE BARRELS *HEIGHT VARIES* |
| 4                 | 1     | 60IN DIA. JENSEN PRECAST CONCRETE MANHOLE FLAT TOP                |
| 5                 | 2     | JENSEN PRECAST CONCRETE HATCH RISER                               |
| 6                 | 2     | SINGLE DOOR ACCESS HATCH WITH A CLEAR OPENING OF 24IN X 36IN      |
| 7                 | 1     | 48IN DIA. JENSEN PRECAST CONCRETE MANHOLE BASE *HEIGHT VARIES*    |
| 8                 | 1     | 48IN DIA. JENSEN PRECAST CONCRETE MANHOLE FLAT TOP                |
| 9                 | 1     | UPPER GUIDE RAIL BRACKET 4IN                                      |
| 10                | 1     | FLOAT BRACKET 3 HOOK TYPE 316SS                                   |
| 11                | 10 LF | LF CHAIN 1/4IN 316SS  |
| 12                | 2     | FLOAT SWITCH w/ 100' CABLE  |
| 13                | 1     | PRESSURE TRANSDUCER w/ 100' CABLE                                 |
| 14                | 1     | ANCHOR 15LB PVC COATED  |
| 15                | 1     | SUBMERSIBLE PUMP 4IN  |
| 16                | 1     | AUTOCOUPLING ASSY 4IN   |
| 17                | 1     | PIPE 4IN FLG X FLG DUCTILE IRON SPOOL                             |
| 18                | 20 LF | LF PIPE 1-1/2IN SCH40 GUIDE RAIL 304SS                            |
| 19                | 1     | INTERMEDIATE GUIDE RAIL BRACKET 4IN                               |
| 20                | 4     | PIPE 4IN FLG X PE DUCTILE IRON SPOOL *CUT TO LENGTH AS NEEDED*    |
| 21                | 1     | RFCA 4IN W/ SS HARDWARE   |
| 22                | 1     | 90 DEG ELBOW 4IN DUCTILE IRON FLG                                 |
| 23                | 1     | MJ SLEEVE 4IN WITH SS BOLT AND MJ GASKET                          |
| 24                | 1     | BALL CHECK VALVE 4IN  |
| 25                | 1     | PIPE 4IN FLG X FLG DUCTILE IRON SPOOL *AT LEAST 6IN*              |
| 26                | 1     | ISOLATION VALVE 4IN FLG   |
| 27                | 3     | FLEXIBLE PIPE CONNECTORS  |
| 28                | 1     | PIPE SUPPORT  |
| 29                | 1     | 2IN DIA. PVC SCH40 DRAIN TRAP w/ CHECK VALVE, TRAP & FITTINGS     |

| PROJECT SPECIFIC INFORMATION     |                            |
|----------------------------------|----------------------------|
| FINISHED GRADE (Ft.)             |                            |
| RIM ELEV. (Ft.)                  |                            |
| INLET ELEV. (Ft.)                |                            |
| FORCE MAIN DISCHARGE ELEV. (Ft.) |                            |
| AVAILABLE POWER SUPPLY           | 120V [ ] 240V [ ] 480V [ ] |
| AVAILABLE POWER PHASE            | Single [ ] Three [ ]       |

| SYSTEM CHARACTERISTICS   |                |  |
|--------------------------|----------------|--|
| APPLICATION              | SEWAGE [ ]     | STORM WATER [ ]  |
| DESIGN FLOW (gpm)        |                |  |
| TOTAL DYNAMIC HEAD (Ft.) |                |  |
| STATIC HEAD (Ft.)        |                |  |
| PUMP MOTOR (Std / XP)    | Standard [ ]   | XP/FM [ ]  |
| PUMP TYPE                | Non-Clog [ ]   | Grinder [ ] Chopper [ ] Vortex [ ]                             |
| PUMP RATED HP & CURRENT  |                |  |
| ACCESS HATCH LOAD LEVEL  | Pedestrian [ ] | Incidental H-20 [ ] Parking Lot H-20 [ ] Full Traffic H-20 [ ] |

| ADDITIONAL OPTIONS                    |     |     |
|---------------------------------------|-----|-----|
| OPTION                                | YES | NO  |
| CONTROL PANEL SS ENCLOSURE            | [ ] | [ ] |
| CONTROL PANEL AC UNIT                 | [ ] | [ ] |
| CONTROL PANEL REMOTE ALARM MONITORING | [ ] | [ ] |
| AIR RELEASE/VACUUM VALVE              | [ ] | [ ] |
| INTERIOR LINER                        | [ ] | [ ] |
| CONCRETE WATERPROOFING                | [ ] | [ ] |
| VENT PIPE                             | [ ] | [ ] |
| ODOR CONTROL VALVE                    | [ ] | [ ] |
| LIFTING CRANE                         | [ ] | [ ] |
| GENERATOR RECEPTACLE                  | [ ] | [ ] |



**DESIGN NOTES / DISCLAIMERS:**

- CONTROL PANEL INSTALLATION, MOUNTING DESIGN & HARDWARE BY OTHERS.
- FINAL CONTROL PANEL LOCATION TO BE DETERMINED ACCORDING TO PROJECT REQUIREMENTS. CONSULT ALL SUBMITTED PUMP AND LEVEL CONTROL CABLE LENGTHS WHEN DETERMINING THE CONTROL PANEL LOCATION.
- ALL FOUNDATION, SUBGRADE, AND BACKFILL DESIGNED BY OTHERS.

**DISCLAIMERS, INCLUDING BUT NOT LIMITED TO:**

- All elevations have been provided by others, and have not been verified by Jensen Precast. Contractor to verify all dimensions and elevations in field prior to installation.
- These layout drawings are intended to show overall system design only. All concrete component thicknesses, dimensions, and joint orientations may vary across Jensen Precast's manufacturing facilities. Contractor to confirm all thicknesses, dimensions, and joint orientations prior to installation.
- System design criteria has been provided to Jensen Precast. Others are responsible for verification that system meets intended application.
- Foundation, subgrade, and backfill to be designed by others.

**JENSEN** PUMP STATIONS

521 DUNN CIRCLE, SPARKS, NV 89431  
 www.jensenwaterresources.com  
 (855) 468-5600

©2018 Jensen Precast - All rights reserved.  
 All materials appearing as Jensen Precast documents and the like are proprietary work product and are protected under U.S. copyright and other laws.

Unless in conjunction with business conducted with Jensen Precast, any use of Jensen Precast work product without express, written consent is prohibited, and recipient is prohibited from distributing any and all work product to non-approved third parties under penalty of civil action.

DESCRIPTION:

**460-SV SERIES STANDARD**

MECHANICAL DETAIL

PART NUMBER: 460-SV Series Standard

CREATED:

DRAWN BY: T. Handke

MODIFIED: 4/30/2020

REV:

SHEET: 2 OF 2