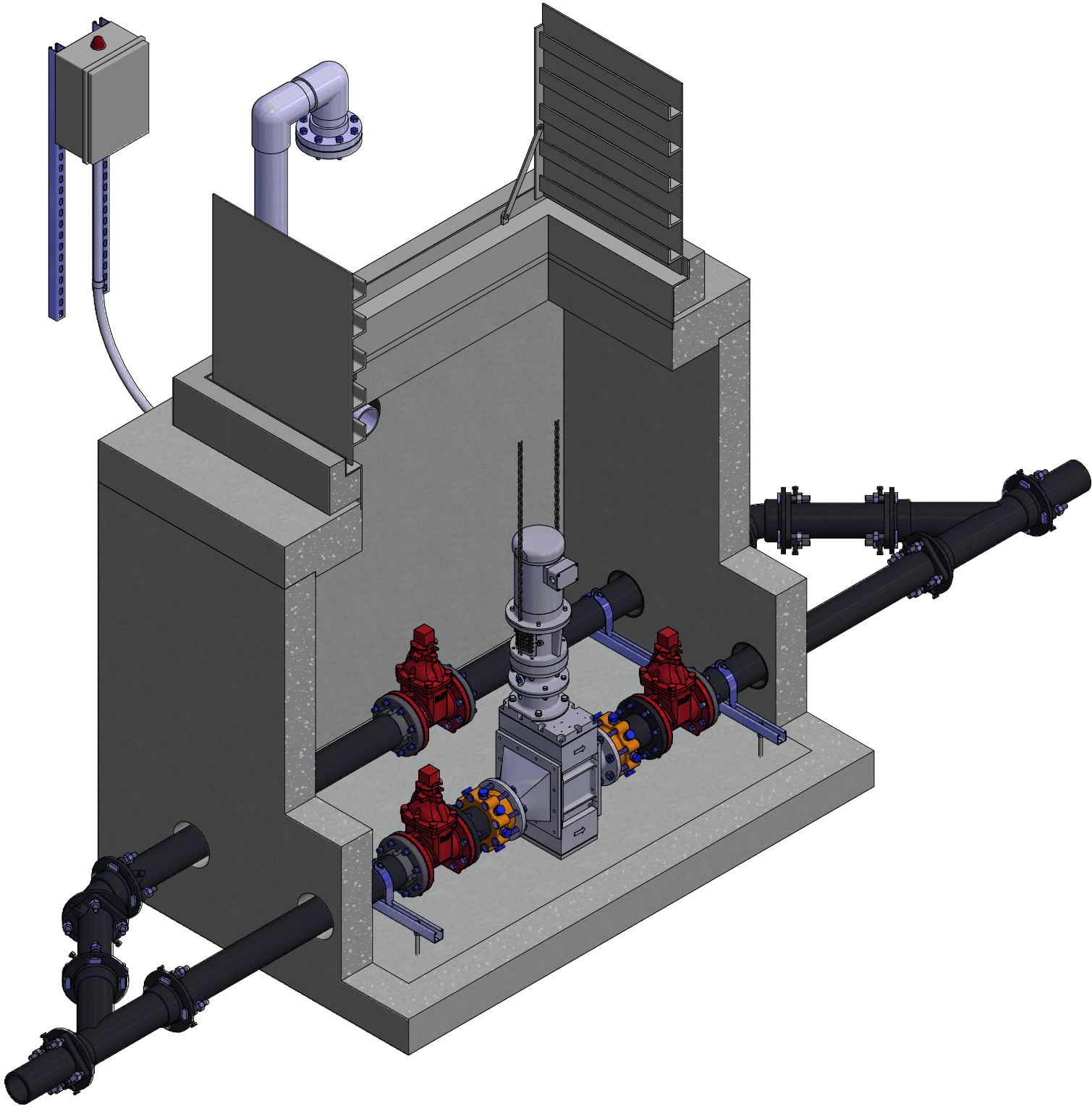
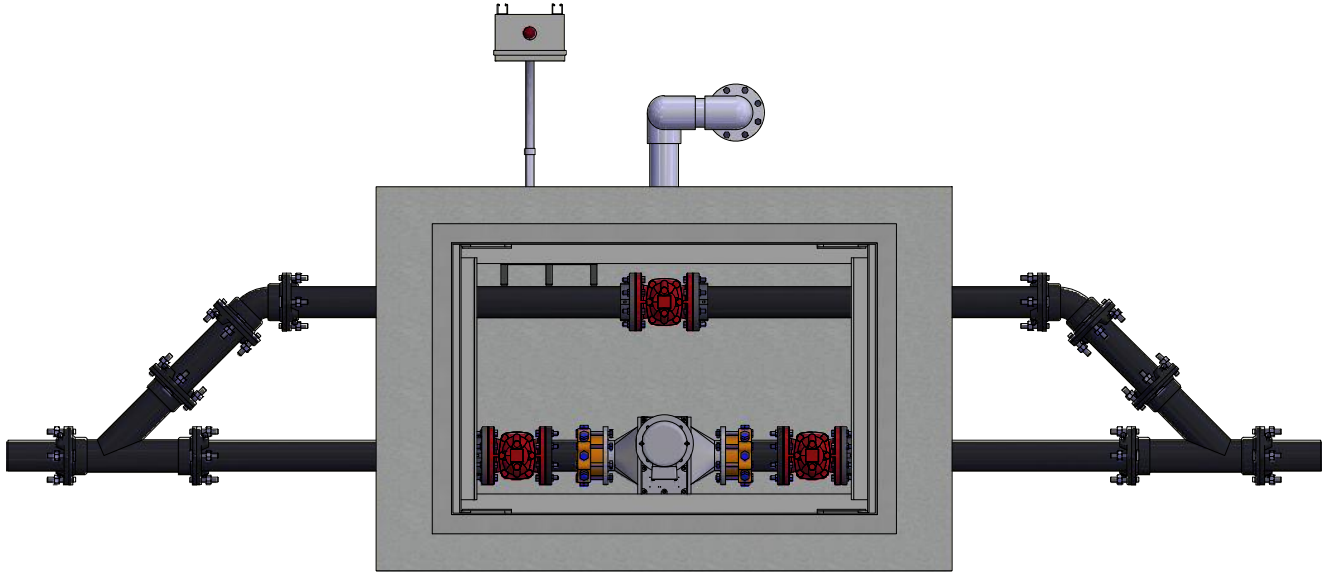


# 4IN INLINE-BYPASS GRINDER SYSTEM

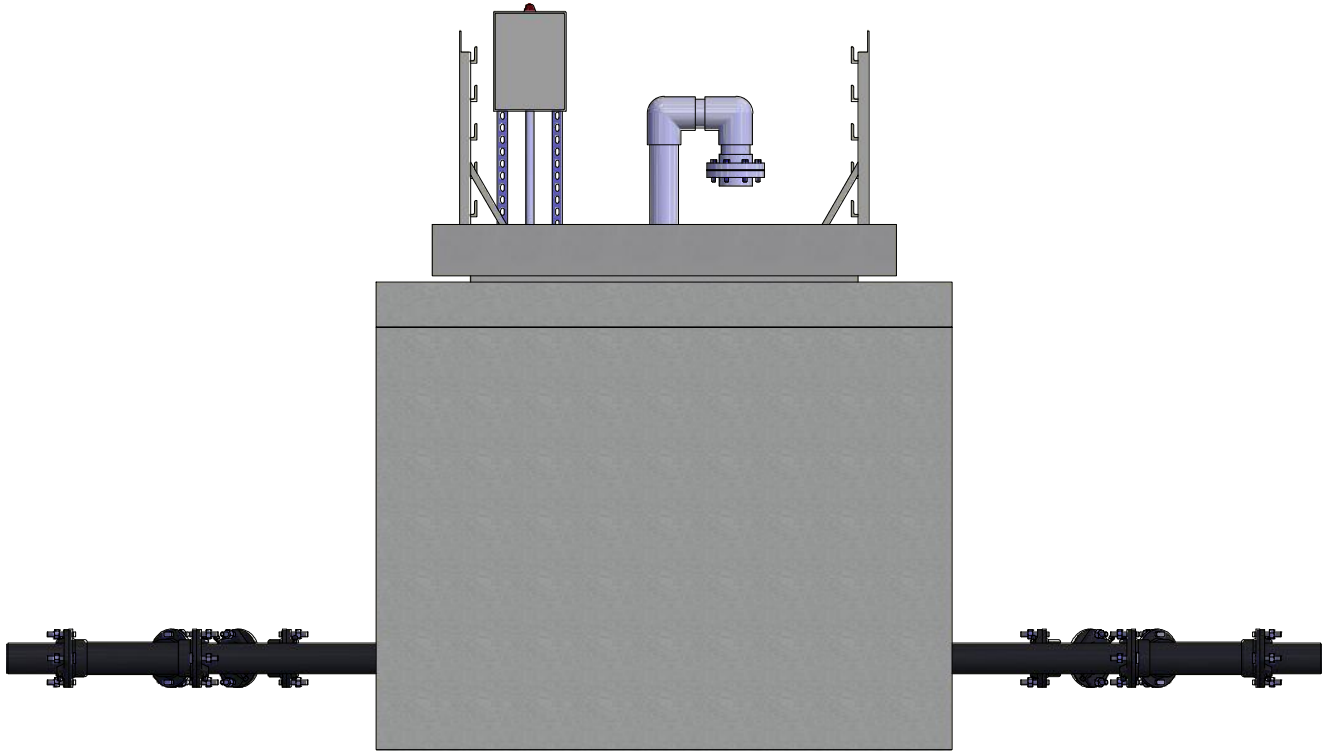
MODEL#: 44878-ILG-BP



TOP LEFT ISOMETRIC VIEW w/ SECTION  
NOT TO SCALE



PLAN VIEW  
NOT TO SCALE



PROFILE VIEW  
NOT TO SCALE

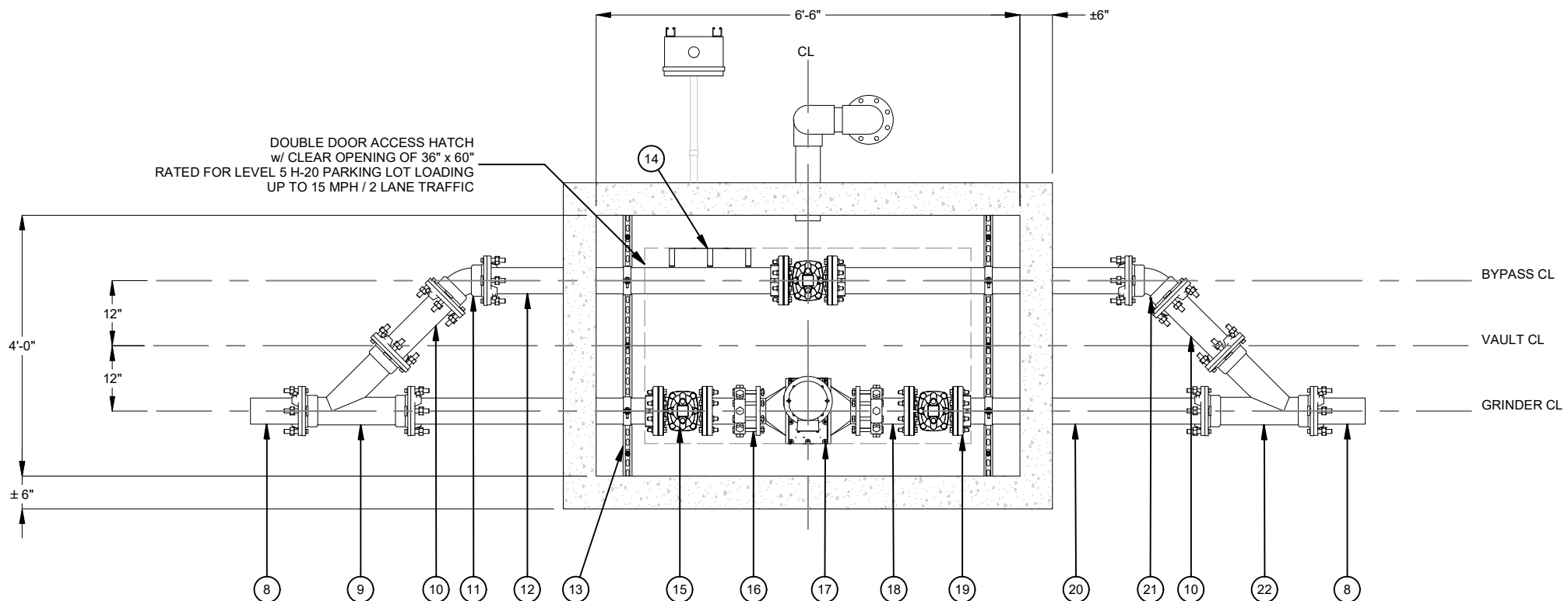
4IN GRINDER W BYPASS.rdw

DISCLAIMERS, INCLUDING BUT NOT LIMITED TO:  
 1.) All elevations have been provided by others, and have not been verified by Jensen Precast. Contractor to verify all dimensions and elevations in field prior to installation.  
 2.) These layout drawings are intended to show overall system design only. All concrete component thicknesses, dimensions, and joint orientations may vary across Jensen Precast's manufacturing facilities. Contractor to confirm all thicknesses, dimensions, and joint orientations prior to installation.  
 3.) System design criteria has been provided to Jensen Precast. Others are responsible for verification that system meets intended application.  
 4.) Foundation, subgrade, and backfill to be designed by others.

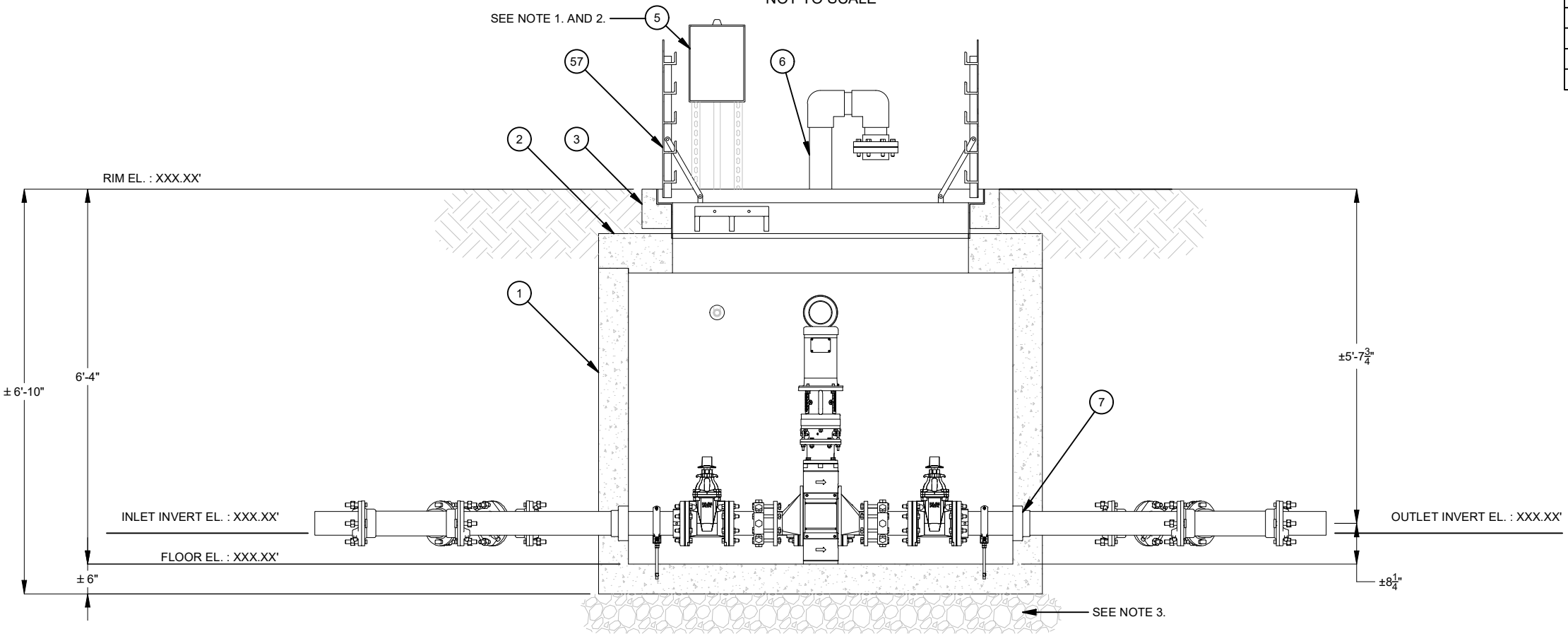
**JENSEN**  PUMP STATIONS  
 521 DUNN CIRCLE, SPARKS, NV 89431  
[www.jensenwaterresources.com](http://www.jensenwaterresources.com)  
 (855) 468-5600

©2018 Jensen Precast - All rights reserved.  
 All materials appearing as Jensen Precast documents and the like are proprietary work product and are protected under U.S. copyright and other laws.  
 Unless in conjunction with business conducted with Jensen Precast, any use of Jensen Precast work product without express, written consent is prohibited, and recipient is prohibited from distributing any and all work product to non-approved third parties under penalty of civil action.

DESCRIPTION:		REV:	
4IN INLINE-BYPASS GRINDER		TITLE SHEET	
		PART NUMBER: 44878-ILG-BP	DRAWN BY: J. Salo
CREATED: 6/12/2020	MODIFIED: 6/12/2020	SHEET: 1 of 2	



PLAN VIEW  
NOT TO SCALE



PROFILE VIEW  
NOT TO SCALE

BILL OF MATERIALS		
ITEM	QTY	DESCRIPTION
1	1	JENSEN PRECAST CONCRETE VAULT BASE 4'-0" x 6'-6" *HEIGHT VARIES*
2	1	JENSEN PRECAST VAULT FLAT TOP 4'-0" x 6'-6" *HEIGHT VARIES*
3	1	JENSEN PRECAST CONCRETE HATCH RISER 36IN X 60IN
5	1	GRINDER CONTROL PANEL, JAM SENSING AND AUTO REVERSING CAPABILITIES
6	1	4IN SCH80 PVC VENT w/ FITTINGS & BUG SCREEN
7	5	CONNECTOR BOOT S106-7MWS-MULTI CORE-SEAL ASTM C923/C1644 SS MULTI HOLE-7 1.50-4.80
8	2	PIPE 4IN PE X PE DUCTILE IRON SPOOL 1FT
9	1	MJ WYE 6IN DUCTILE IRON
10	2	PIPE 4IN PE X PE DUCTILE IRON SPOOL 2FT
11	1	45 DEG MJ FITTING 4IN DUCTILE IRON
12	2	PIPE 4IN PE X PE DUCTILE IRON SPOOL 5FT
13	1	PIPE SUPPORT BRACING ASSEMBLY w/ 316SS HARDWARE
14	1	JMT FLOAT BRACKET 3-HOOK FORMED SS
15	3	GATE VALVE 4IN FLG W/ NBR WEDGE
16	2	FLG ADAPTER 4IN W/ SS HARDWARE EBAA 2100 MEGAFLANGE
17	1	TWIN SHAFT GRINDER, 4IN INLINE, SS INSTALL HARDWARE
18	2	PIPE 4IN FLG X PE DUCTILE IRON SPOOL 1FT
19	4	4IN EBAA SERIES 1004 E-Z FLANGE
20	2	PIPE 4IN PE X PE DUCTILE IRON SPOOL 4FT
21	1	45 DEG MJ FITTING 4IN DUCTILE IRON
22	1	MJ WYE 6IN DUCTILE IRON
23	1	VALVE T-WRENCH 2IN NUT DRIVE
57	1	Steel DOUBLE DOOR HATCH WITH A CLEAR OPENING OF 60IN X 36IN AND 10IN SKIRT

GRINDER CHARACTERISTICS

DESCRIPTION	VALUE
GRINDER TYPE	4" IN-LINE GRINDER
MAX GRINDER FLOW RATE	500 gpm
HORSEPOWER	3.0 / 5.0 HP
REQUIRED POWER	230/460 V   3 PH
ACCESS HATCH LOADING CRITERIA	H-20 PARKING LOT LOADING

**DESIGN NOTES / DISCLAIMERS:**  
 1. CONTROL PANEL INSTALLATION, MOUNTING DESIGN & HARDWARE BY OTHERS.  
 2. FINAL CONTROL PANEL LOCATION TO BE DETERMINED ACCORDING TO PROJECT REQUIREMENTS. CONSULT ALL SUBMITTED GRINDER CABLE LENGTH WHEN DETERMINING THE CONTROL PANEL LOCATION.  
 3. ALL FOUNDATION, SUBGRADE, AND BACKFILL DESIGNED BY OTHERS.

**DISCLAIMERS, INCLUDING BUT NOT LIMITED TO:**  
 1.) All elevations have been provided by others, and have not been verified by Jensen Precast. Contractor to verify all dimensions and elevations in field prior to installation.  
 2.) These layout drawings are intended to show overall system design only. All concrete component thicknesses, dimensions, and joint orientations may vary across Jensen Precast's manufacturing facilities. Contractor to confirm all thicknesses, dimensions, and joint orientations prior to installation.  
 3.) System design criteria has been provided to Jensen Precast. Others are responsible for verification that system meets intended application.  
 4.) Foundation, subgrade, and backfill to be designed by others.

**JENSEN** PUMP STATIONS  
 521 DUNN CIRCLE, SPARKS, NV 89431  
 www.jensenwaterresources.com  
 (855) 468-5600

©2018 Jensen Precast - All rights reserved.  
 All materials appearing as Jensen Precast documents and the like are proprietary work product and are protected under U.S. copyright and other laws.  
 Unless in conjunction with business conducted with Jensen Precast, any use of Jensen Precast work product without express, written consent is prohibited, and recipient is prohibited from distributing any and all work product to non-approved third parties under penalty of civil action.

DESCRIPTION: **4IN INLINE-BYPASS GRINDER**  
 MECHANICAL DETAIL  
 PART NUMBER: 44878-ILG-BP  
 CREATED: 6/12/2020  
 DRAWN BY: J. Salo  
 MODIFIED: 6/12/2020  
 REV: SHEET: 2 OF 2