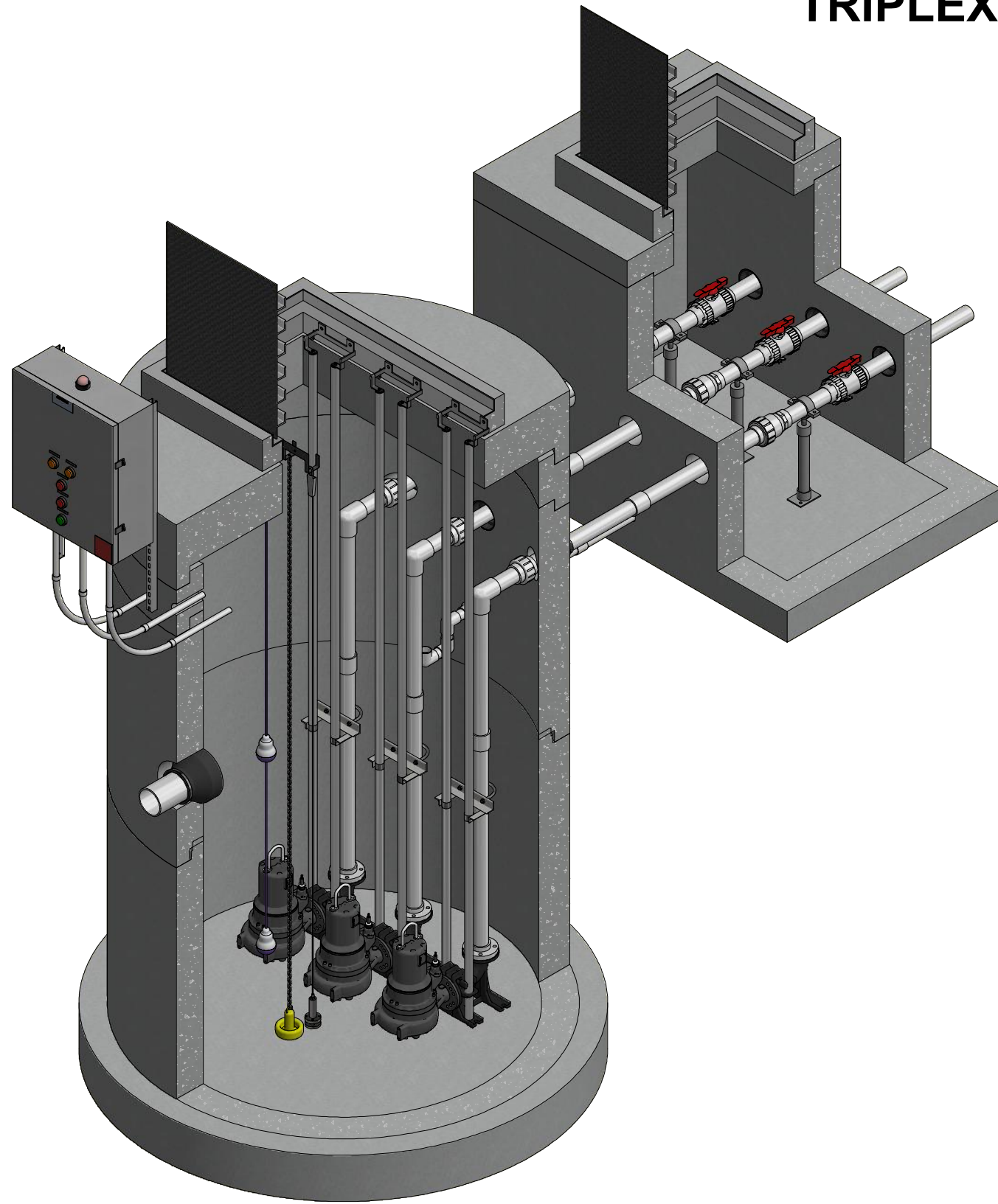
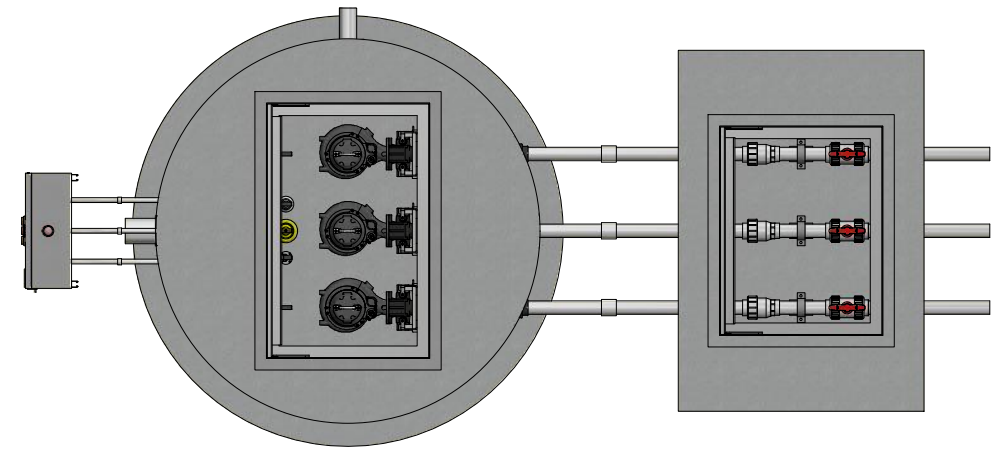


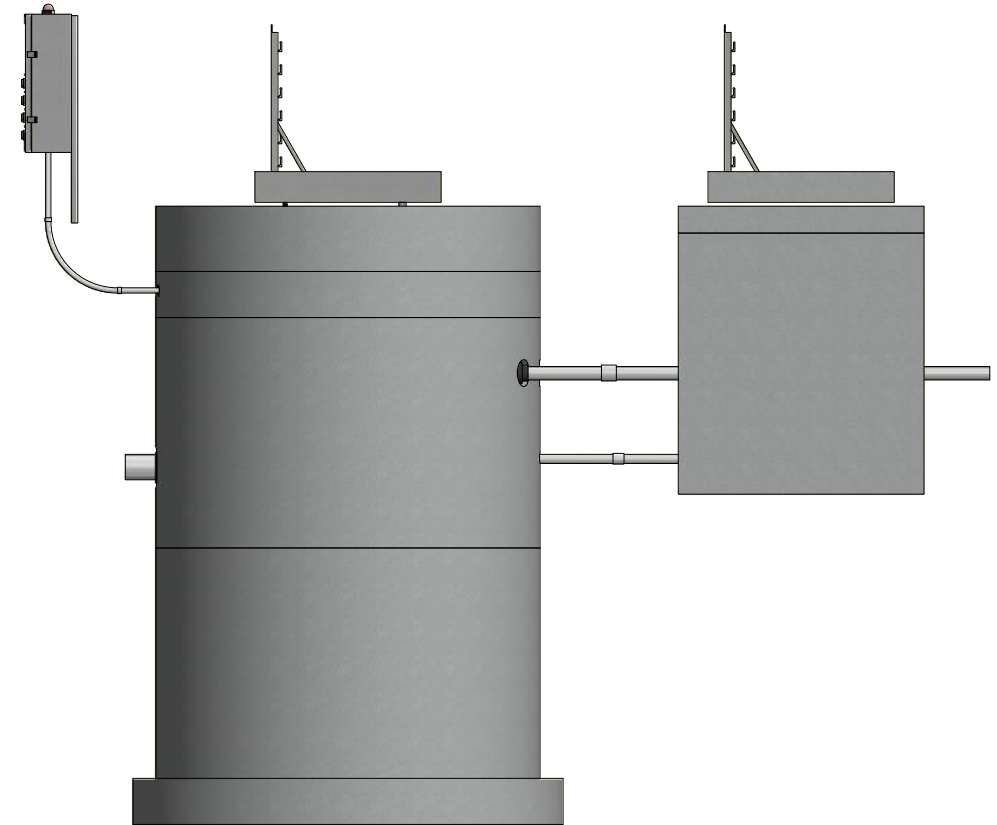
384-TV-D SERIES STANDARD TRIPLEX PUMP STATION



ISOMETRIC VIEW w/ SECTION
NOT TO SCALE



PLAN VIEW
NOT TO SCALE



PROFILE VIEW
NOT TO SCALE

384-TV-D Series Standard.idw

DISCLAIMERS, INCLUDING BUT NOT LIMITED TO:

- 1.) All elevations have been provided by others, and have not been verified by Jensen Precast. Contractor to verify all dimensions and elevations in field prior to installation.
- 2.) These layout drawings are intended to show overall system design only. All concrete component thicknesses, dimensions, and joint orientations may vary across Jensen Precast's manufacturing facilities. Contractor to confirm all thicknesses, dimensions, and joint orientations prior to installation.
- 3.) System design criteria has been provided to Jensen Precast. Others are responsible for verification that system meets intended application.
- 4.) Foundation, subgrade, and backfill to be designed by others.



521 DUNN CIRCLE, SPARKS, NV 89431
www.jensenwaterresources.com
(855) 468-5600

©2018 Jensen Precast - All rights reserved.

All materials appearing as Jensen Precast documents and the like are proprietary work product and are protected under U.S. copyright and other laws.

Unless in conjunction with business conducted with Jensen Precast, any use of Jensen Precast work product without express, written consent is prohibited, and recipient is prohibited from distributing any and all work product to non-approved third parties under penalty of civil action.

DESCRIPTION:

384-TV-D SERIES STANDARD

TITLE SHEET

PART NUMBER:

384-TV-D Series Standard

CREATED:

DRAWN BY:

T. Handke

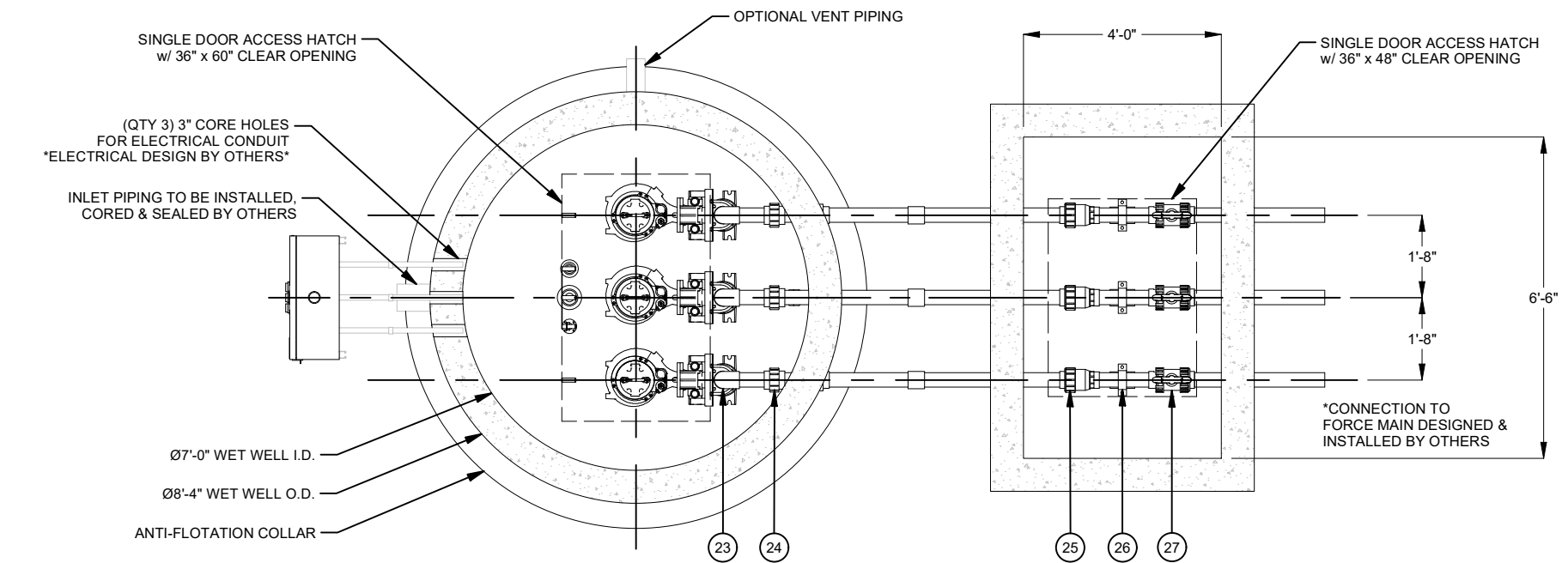
MODIFIED:

3/10/2021

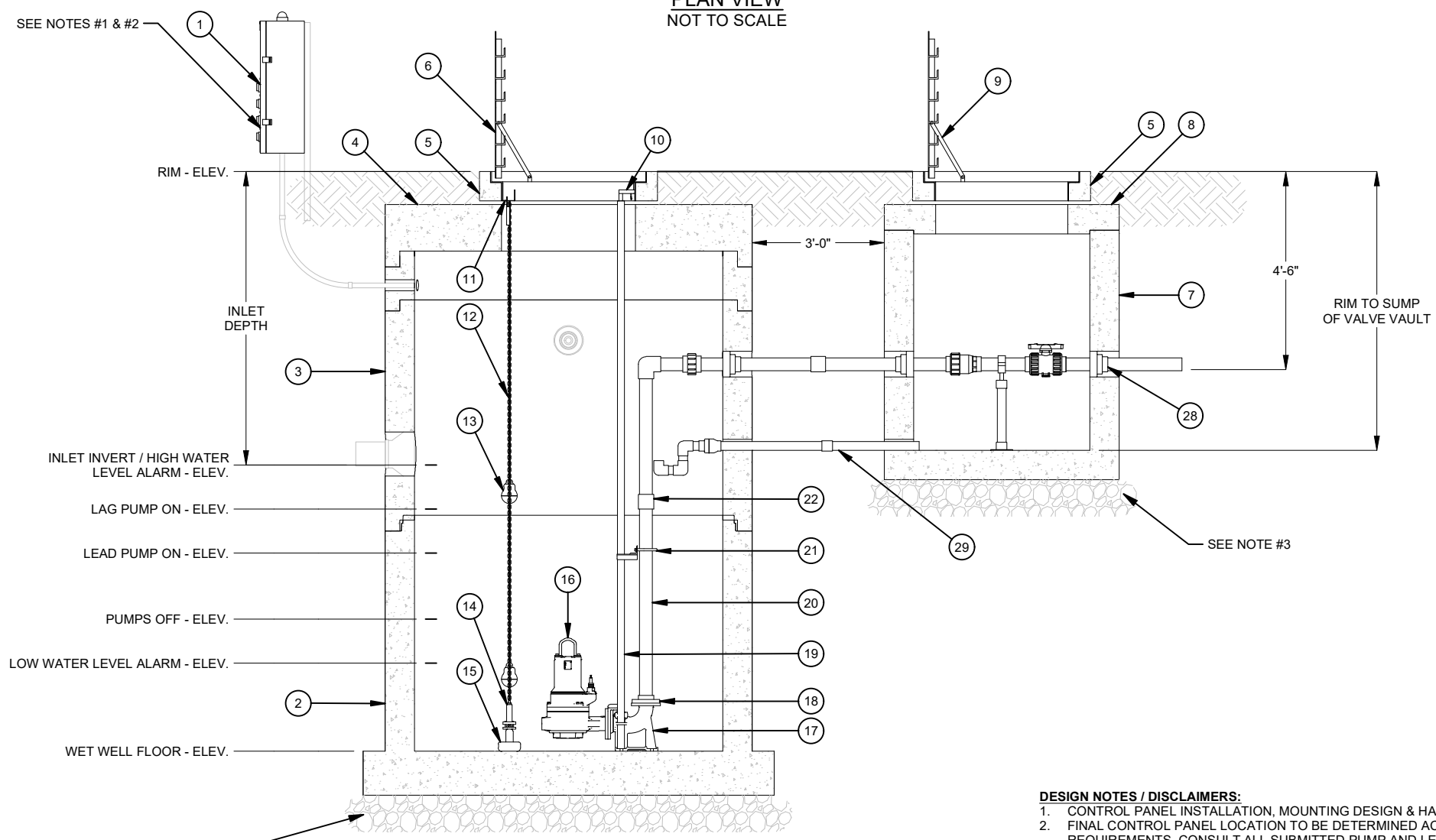
REV:

SHEET:

1 of 2



PLAN VIEW
NOT TO SCALE



PROFILE VIEW
NOT TO SCALE

- DESIGN NOTES / DISCLAIMERS:**
- CONTROL PANEL INSTALLATION, MOUNTING DESIGN & HARDWARE BY OTHERS.
 - FINAL CONTROL PANEL LOCATION TO BE DETERMINED ACCORDING TO PROJECT REQUIREMENTS. CONSULT ALL SUBMITTED PUMP AND LEVEL CONTROL CABLE LENGTHS WHEN DETERMINING THE CONTROL PANEL LOCATION.
 - ALL FOUNDATION, SUBGRADE, AND BACKFILL DESIGNED BY OTHERS.

BILL OF MATERIALS		
ITEM	QTY	DESCRIPTION
1	1	TRIPLEX ALTERNATING CONTROL PANEL
2	1	84IN DIA. JENSEN PRECAST CONCRETE MANHOLE BASE *HEIGHT VARIES*
3	2	84IN DIA. JENSEN PRECAST CONCRETE MANHOLE BARREL *HEIGHT VARIES*
4	1	84IN DIA. JENSEN PRECAST CONCRETE MANHOLE FLAT TOP
5	2	JENSEN PRECAST CONCRETE HATCH RISER
6	1	SINGLE DOOR HATCH WITH A CLEAR OPENING OF 36IN X 60IN
7	1	48IN X 78IN JENSEN PRECAST CONCRETE VAULT BASE *HEIGHT VARIES*
8	1	48IN X 78IN JENSEN PRECAST CONCRETE VAULT FLAT TOP
9	1	SINGLE DOOR HATCH WITH A CLEAR OPENING OF 36IN X 48IN
10	3	UPPER GUIDE RAIL BRACKET 3IN
11	3	JMT FLOAT BRACKET FORMED SS
12	13 LF	LF CHAIN 1/4IN 316SS
13	2	OPTICAL FLOAT SWITCH w/ 100FT CABLE
14	1	PRESSURE TRANSDUCER w/ 100FT CABLE
15	1	ANCHOR 15LB PVC COATED
16	3	3IN SUBMERSIBLE PUMP
17	3	AUTOCOUPLING ASSY 3IN FLG
18	3	ADAPTER 3IN FLG X SLIP SCH 80 PVC
19	100 LF	LF PIPE 1-1/2IN SCH40 GUIDE RAIL 304SS
20	60 LF	LF PIPE PVC SCH 80 3IN DIA
21	3	INTERMEDIATE GUIDE RAIL BRACKET 3IN
22	6	FITTING PVC SCH 80 3IN DIA COUPLING SLIP
23	3	90 DEG ELBOW 3IN SCH 80 PVC SLIP
24	3	UNION 3IN SCH 80 PVC
25	3	BALL CHECK VALVE 3IN SCH 80 PVC SLIP TRUE UNION
26	3	CLAMP PIPE SUPPORT 3IN
27	3	BALL VALVE 3IN SCH 80 PVC SLIP TRUE UNION
28	9	FLEXIBLE PIPE CONNECTOR
29	1	2IN DIA SCH40 PVC VAULT DRAIN w/ CHECK VALVE, TRAP & FITTINGS

PROJECT SPECIFIC INFORMATION	
FINISHED GRADE (Ft.)	
RIM ELEV. (Ft.)	
INLET ELEV. (Ft.)	
FORCE MAIN DISCHARGE ELEV. (Ft.)	
AVAILABLE POWER SUPPLY	120V [] 240V [] 480V []
AVAILABLE POWER PHASE	Single [] Three []

SYSTEM CHARACTERISTICS		
APPLICATION	SEWAGE []	STORM WATER []
DESIGN FLOW (gpm)		
TOTAL DYNAMIC HEAD (Ft.)		
STATIC HEAD (Ft.)		
PUMP MOTOR (Std / XP)	Standard []	XP/FM []
PUMP TYPE	Non-Clog []	Grinder [] Chopper [] Vortex []
PUMP RATED HP & CURRENT		
ACCESS HATCH LOAD LEVEL	Pedestrian []	Incidental H-20 [] Parking Lot H-20 [] Full Traffic H-20 []

ADDITIONAL OPTIONS		
OPTION	YES	NO
CONTROL PANEL SS ENCLOSURE	[]	[]
CONTROL PANEL AC UNIT	[]	[]
CONTROL PANEL REMOTE ALARM MONITORING	[]	[]
AIR RELEASE/VACUUM VALVE	[]	[]
INTERIOR LINER	[]	[]
CONCRETE WATERPROOFING	[]	[]
VENT PIPE	[]	[]
ODOR CONTROL VALVE	[]	[]
LIFTING CRANE	[]	[]
GENERATOR RECEPTACLE	[]	[]

DISCLAIMERS, INCLUDING BUT NOT LIMITED TO:

- All elevations have been provided by others, and have not been verified by Jensen Precast. Contractor to verify all dimensions and elevations in field prior to installation.
- These layout drawings are intended to show overall system design only. All concrete component thicknesses, dimensions, and joint orientations may vary across Jensen Precast's manufacturing facilities. Contractor to confirm all thicknesses, dimensions, and joint orientations prior to installation.
- System design criteria has been provided to Jensen Precast. Others are responsible for verification that system meets intended application.
- Foundation, subgrade, and backfill to be designed by others.

JENSEN PUMP STATIONS
 521 DUNN CIRCLE, SPARKS, NV 89431
 www.jensenwaterresources.com
 (855) 468-5600

©2018 Jensen Precast - All rights reserved.
 All materials appearing as Jensen Precast documents and the like are proprietary work product and are protected under U.S. copyright and other laws.
 Unless in conjunction with business conducted with Jensen Precast, any use of Jensen Precast work product without express, written consent is prohibited, and recipient is prohibited from distributing any and all work product to non-approved third parties under penalty of civil action.

DESCRIPTION: **384-TV-D SERIES STANDARD**
 MECHANICAL DETAIL
 PART NUMBER: 384-TV-D Series Standard
 DRAWN BY: T. Handke
 CREATED: []
 MODIFIED: 3/10/2021
 REV: []
 SHEET: 2 OF 2

384-TV-D Series Standard.dwg