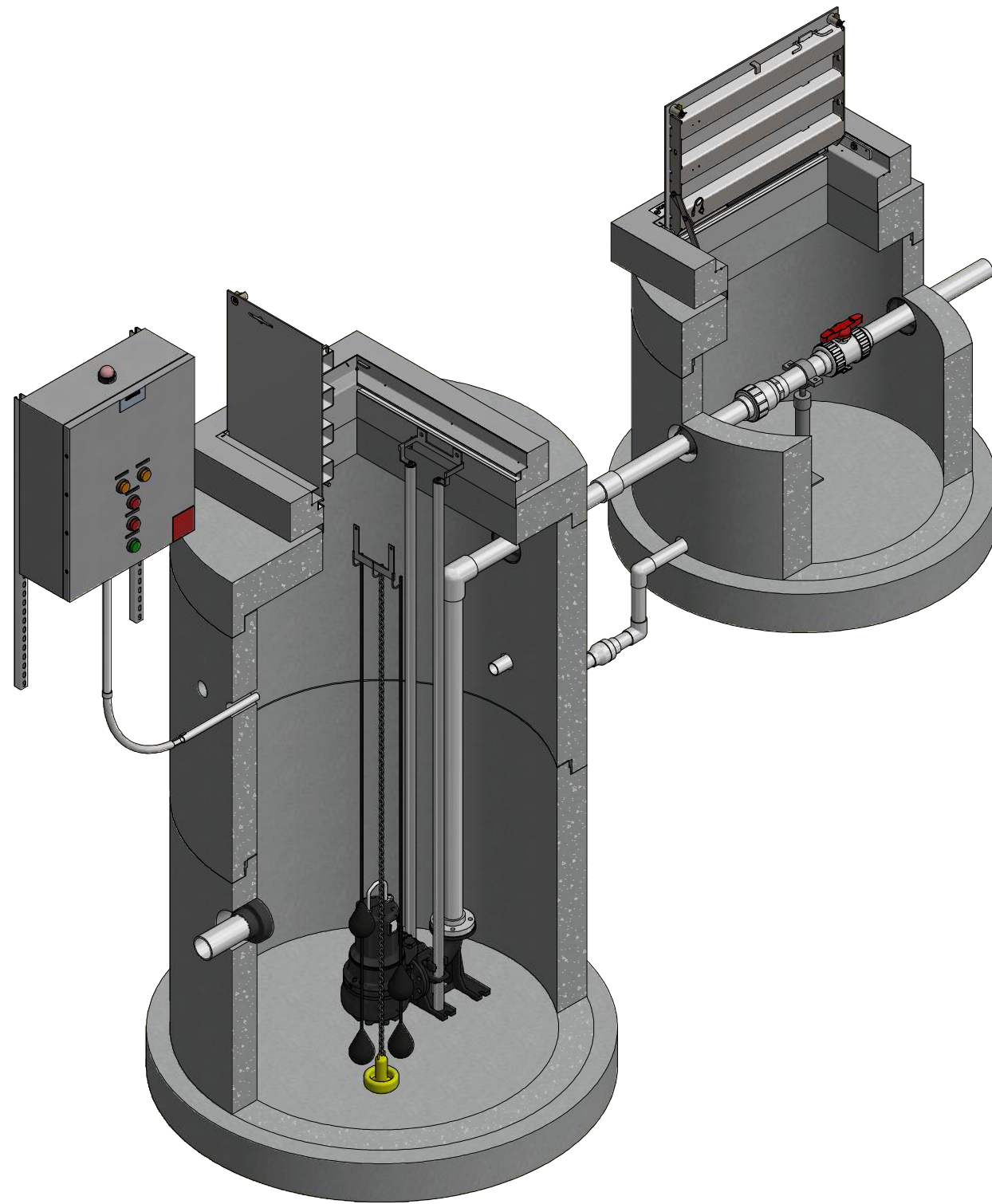
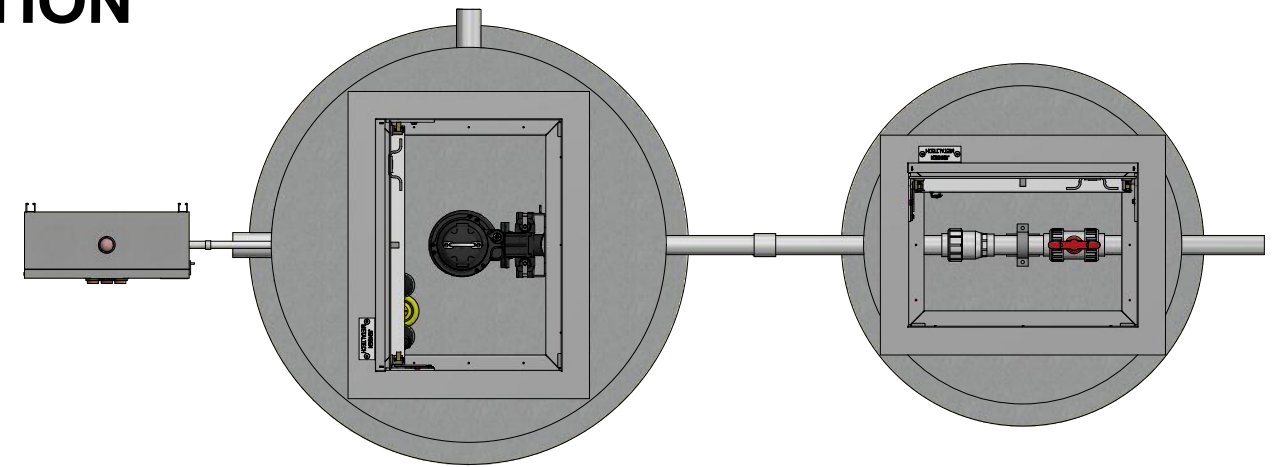


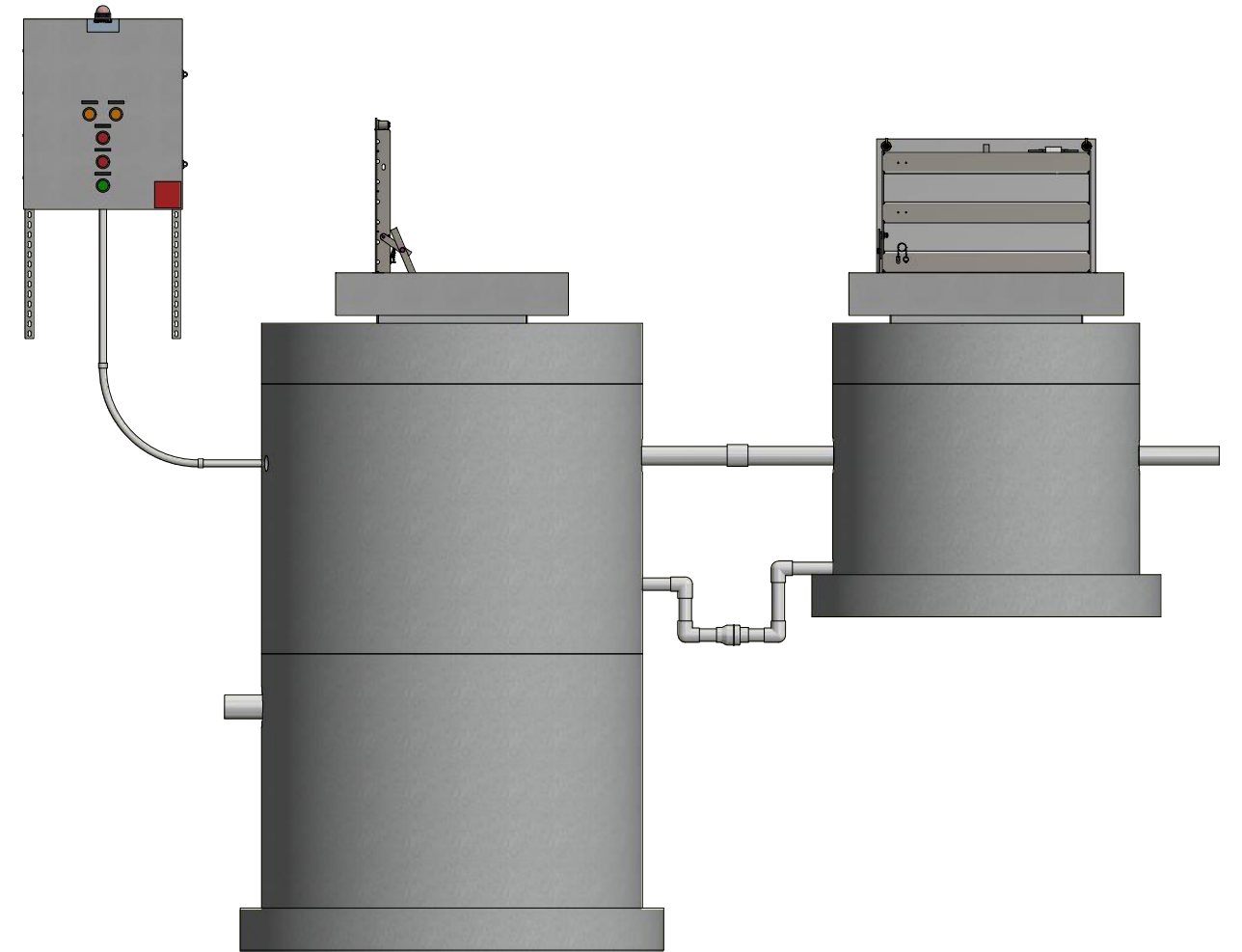
# 360-SV SERIES STANDARD SIMPLEX PUMP STATION



TOP LEFT ISOMETRIC VIEW w/ SECTION  
NOT TO SCALE



PLAN VIEW  
NOT TO SCALE



PROFILE VIEW  
NOT TO SCALE

360-SV Series Standard.idw

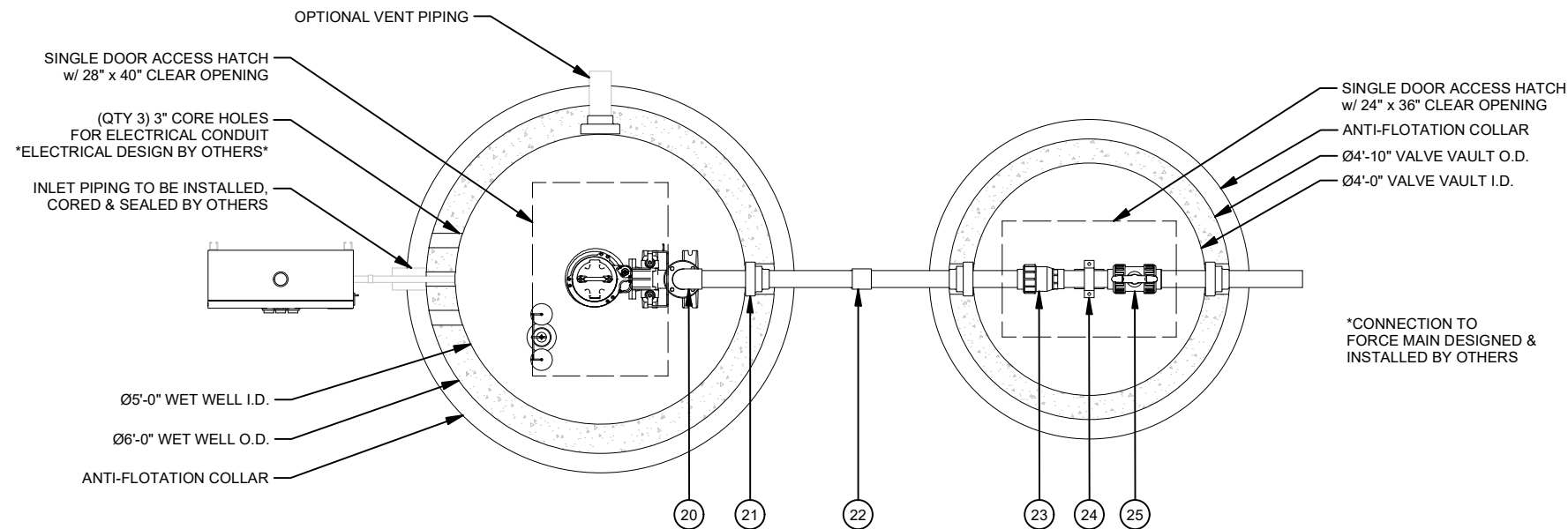
**DISCLAIMERS, INCLUDING BUT NOT LIMITED TO:**

- 1.) All elevations have been provided by others, and have not been verified by Jensen Precast. Contractor to verify all dimensions and elevations in field prior to installation.
- 2.) These layout drawings are intended to show overall system design only. All concrete component thicknesses, dimensions, and joint orientations may vary across Jensen Precast's manufacturing facilities. Contractor to confirm all thicknesses, dimensions, and joint orientations prior to installation.
- 3.) System design criteria has been provided to Jensen Precast. Others are responsible for verification that system meets intended application.
- 4.) Foundation, subgrade, and backfill to be designed by others.

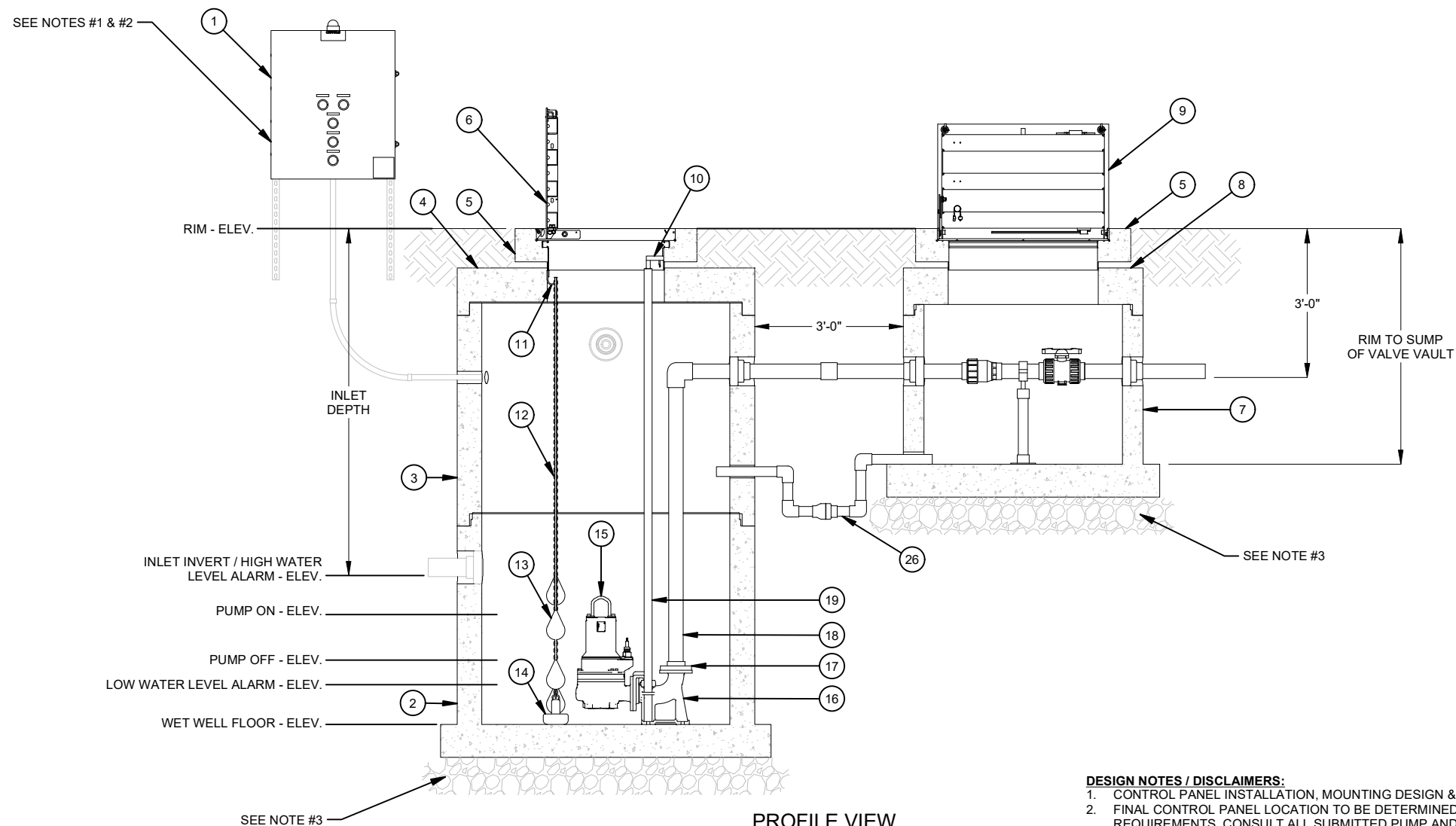
**JENSEN**  PUMP STATIONS  
521 DUNN CIRCLE, SPARKS, NV 89431  
[www.jensenwaterresources.com](http://www.jensenwaterresources.com)  
(855) 468-5600

©2018 Jensen Precast - All rights reserved.  
All materials appearing as Jensen Precast documents and the like are proprietary work product and are protected under U.S. copyright and other laws.  
Unless in conjunction with business conducted with Jensen Precast, any use of Jensen Precast work product without express, written consent is prohibited, and recipient is prohibited from distributing any and all work product to non-approved third parties under penalty of civil action.

DESCRIPTION:		360-SV SERIES STANDARD		REV:
TITLE SHEET				SHEET:
PART NUMBER:	360-SV Series Standard	DRAWN BY:	T. Handke	1 OF 2
CREATED:		MODIFIED:	4/28/2020	



PLAN VIEW  
NOT TO SCALE



PROFILE VIEW  
NOT TO SCALE

- DESIGN NOTES / DISCLAIMERS:**
- CONTROL PANEL INSTALLATION, MOUNTING DESIGN & HARDWARE BY OTHERS.
  - FINAL CONTROL PANEL LOCATION TO BE DETERMINED ACCORDING TO PROJECT REQUIREMENTS. CONSULT ALL SUBMITTED PUMP AND LEVEL CONTROL CABLE LENGTHS WHEN DETERMINING THE CONTROL PANEL LOCATION.
  - ALL FOUNDATION, SUBGRADE, AND BACKFILL DESIGNED BY OTHERS.

BILL OF MATERIALS		
ITEM	QTY	DESCRIPTION
1	1	SIMPLEX CONTROL PANEL
2	1	60IN DIA. JENSEN PRECAST CONCRETE MANHOLE BASE *HEIGHT VARIES*
3	1	60IN DIA. JENSEN PRECAST CONCRETE MANHOLE BARREL *HEIGHT VARIES*
4	1	60IN DIA. JENSEN PRECAST CONCRETE MANHOLE FLAT TOP
5	2	JENSEN PRECAST CONCRETE HATCH RISER
6	1	SINGLE DOOR HATCH WITH A CLEAR OPENING OF 28IN X 40IN
7	1	48IN DIA. JENSEN PRECAST CONCRETE MANHOLE BASE *HEIGHT VARIES*
8	1	48IN DIA. JENSEN PRECAST CONCRETE MANHOLE FLAT TOP
9	1	SINGLE DOOR HATCH WITH A CLEAR OPENING OF 24IN X 36IN
10	1	UPPER GUIDE RAIL BRACKET 3IN
11	1	FLOAT BRACKET 3 HOOK TYPE 316SS
12	10 LF	LF CHAIN 1/4IN 316SS
13	4	FLOAT SWITCH w/ 100' CABLE
14	1	ANCHOR 15LB PVC COATED
15	1	3IN SUBMERSIBLE PUMP
16	1	AUTOCOUPLING ASSY 3IN FLG
17	1	ADAPTER 3IN FLG X SLIP SCH 80 PVC
18	20 LF	LF PIPE PVC SCH 80 3IN DIA
19	20 LF	LF PIPE 1.5IN SCH40 GUIDE RAIL 304SS
20	1	90 DEG ELBOW 3IN SCH 80 PVC SLIP
21	3	FLEXIBLE PIPE CONNECTORS
22	1	FITTING PVC SCH 80 3IN DIA COUPLING SLIP
23	1	BALL CHECK VALVE 3IN SCH 80 PVC SLIP
24	1	PIPE SUPPORT
25	1	BALL VALVE 3IN SCH 80 PVC SLIP
26	1	2IN DIA PVC SCH40 DRAIN TRAP w/ CHECK VALVE, TRAP & FITTINGS

PROJECT SPECIFIC INFORMATION		
FINISHED GRADE (Ft.)		
RIM ELEV. (Ft.)		
INLET ELEV. (Ft.)		
FORCE MAIN DISCHARGE ELEV. (Ft.)		
AVAILABLE POWER SUPPLY	120V [ ]	240V [ ] 480V [ ]
AVAILABLE POWER PHASE	Single [ ]	Three [ ]

SYSTEM CHARACTERISTICS		
APPLICATION	SEWAGE [ ]	STORM WATER [ ]
DESIGN FLOW (gpm)		
TOTAL DYNAMIC HEAD (Ft.)		
STATIC HEAD (Ft.)		
PUMP MOTOR (Std / XP)	Standard [ ]	XP/FM [ ]
PUMP TYPE	Non-Clog [ ]	Grinder [ ] Chopper [ ] Vortex [ ]
PUMP RATED HP & CURRENT		
ACCESS HATCH LOAD LEVEL	Pedestrian [ ]	Incidental H-20 [ ] Parking Lot H-20 [ ] Full Traffic H-20 [ ]

ADDITIONAL OPTIONS		
OPTION	YES	NO
CONTROL PANEL SS ENCLOSURE	[ ]	[ ]
CONTROL PANEL AC UNIT	[ ]	[ ]
CONTROL PANEL REMOTE ALARM MONITORING	[ ]	[ ]
AIR RELEASE/VACUUM VALVE	[ ]	[ ]
INTERIOR LINER	[ ]	[ ]
CONCRETE WATERPROOFING	[ ]	[ ]
VENT PIPE	[ ]	[ ]
ODOR CONTROL VALVE	[ ]	[ ]
LIFTING CRANE	[ ]	[ ]
GENERATOR RECEPTACLE	[ ]	[ ]

**DISCLAIMERS, INCLUDING BUT NOT LIMITED TO:**

- All elevations have been provided by others, and have not been verified by Jensen Precast. Contractor to verify all dimensions and elevations in field prior to installation.
- These layout drawings are intended to show overall system design only. All concrete component thicknesses, dimensions, and joint orientations may vary across Jensen Precast's manufacturing facilities. Contractor to confirm all thicknesses, dimensions, and joint orientations prior to installation.
- System design criteria has been provided to Jensen Precast. Others are responsible for verification that system meets intended application.
- Foundation, subgrade, and backfill to be designed by others.

©2018 Jensen Precast - All rights reserved.  
All materials appearing as Jensen Precast documents and the like are proprietary work product and are protected under U.S. copyright and other laws.

Unless in conjunction with business conducted with Jensen Precast, any use of Jensen Precast work product without express, written consent is prohibited, and recipient is prohibited from distributing any and all work product to non-approved third parties under penalty of civil action.

**JENSEN** PUMP STATIONS

521 DUNN CIRCLE, SPARKS, NV 89431  
www.jensenwaterresources.com  
(855) 468-5600

DESCRIPTION:		<b>360-SV SERIES STANDARD</b>	REV:
MECHANICAL DETAIL			
PART NUMBER:	360-SV Series Standard	DRAWN BY:	T. Handke
CREATED:		MODIFIED:	4/28/2020
			SHEET: <b>2 OF 2</b>

360-SV Series Standard.dwg