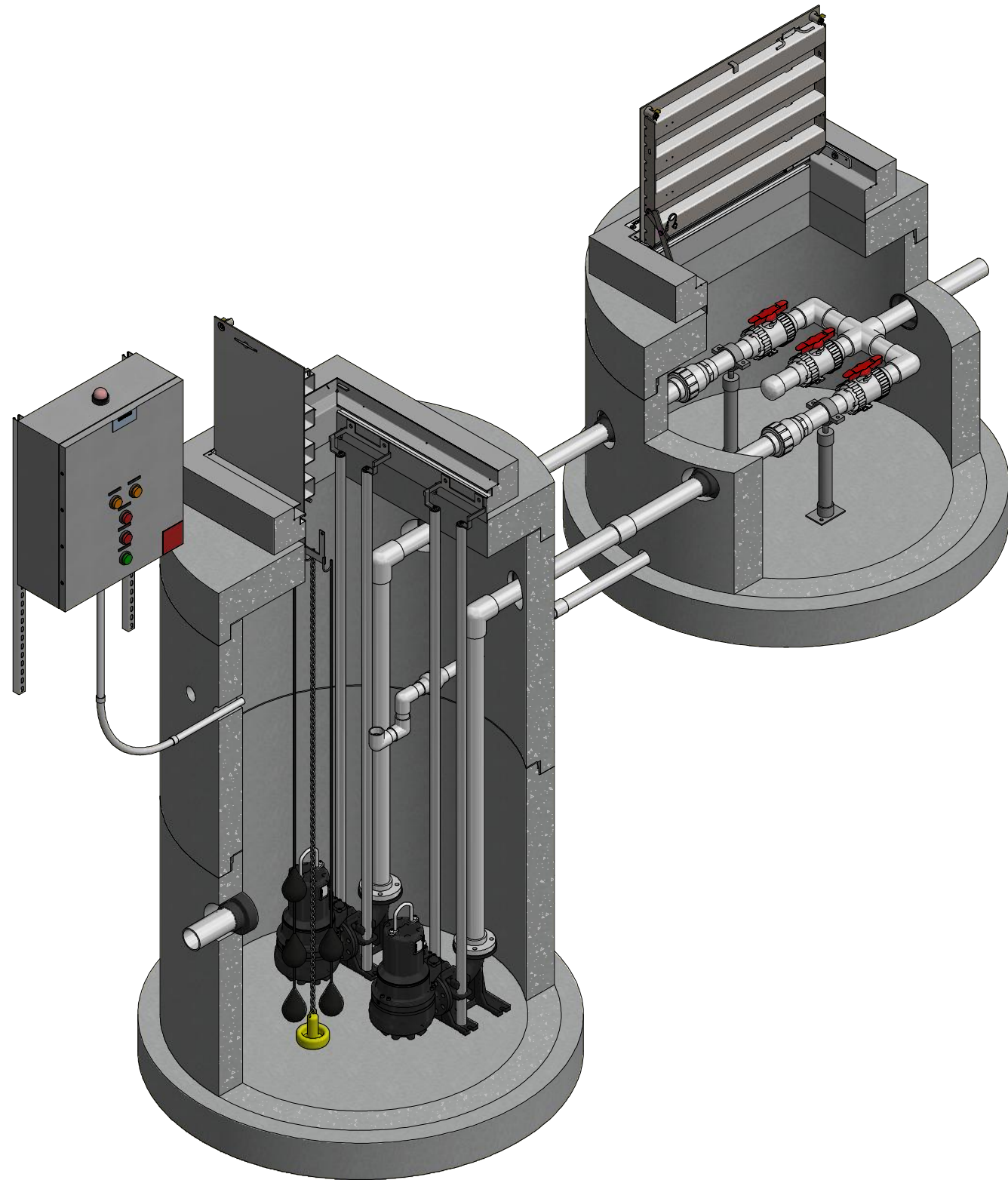
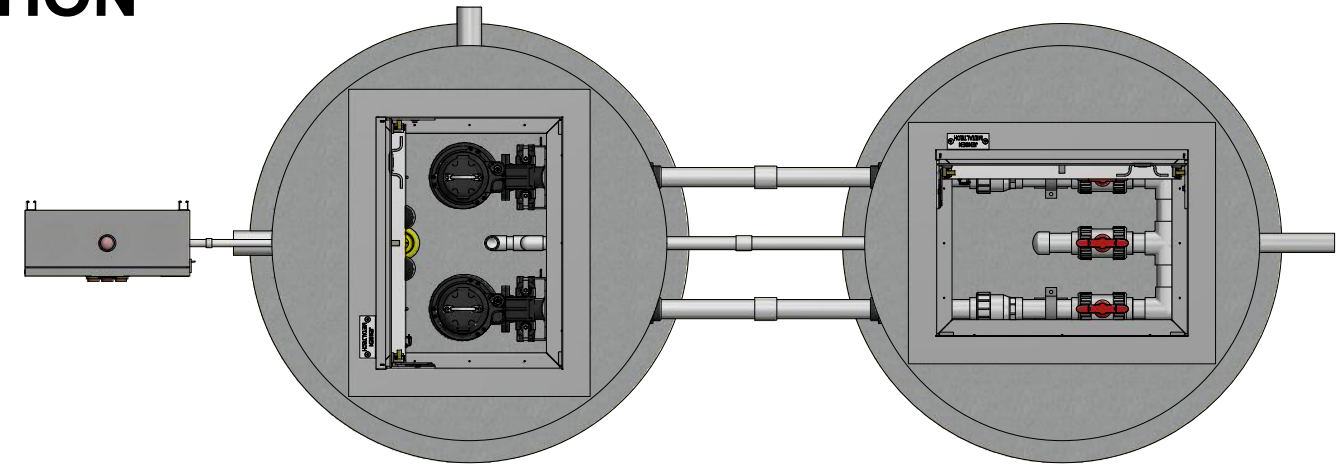


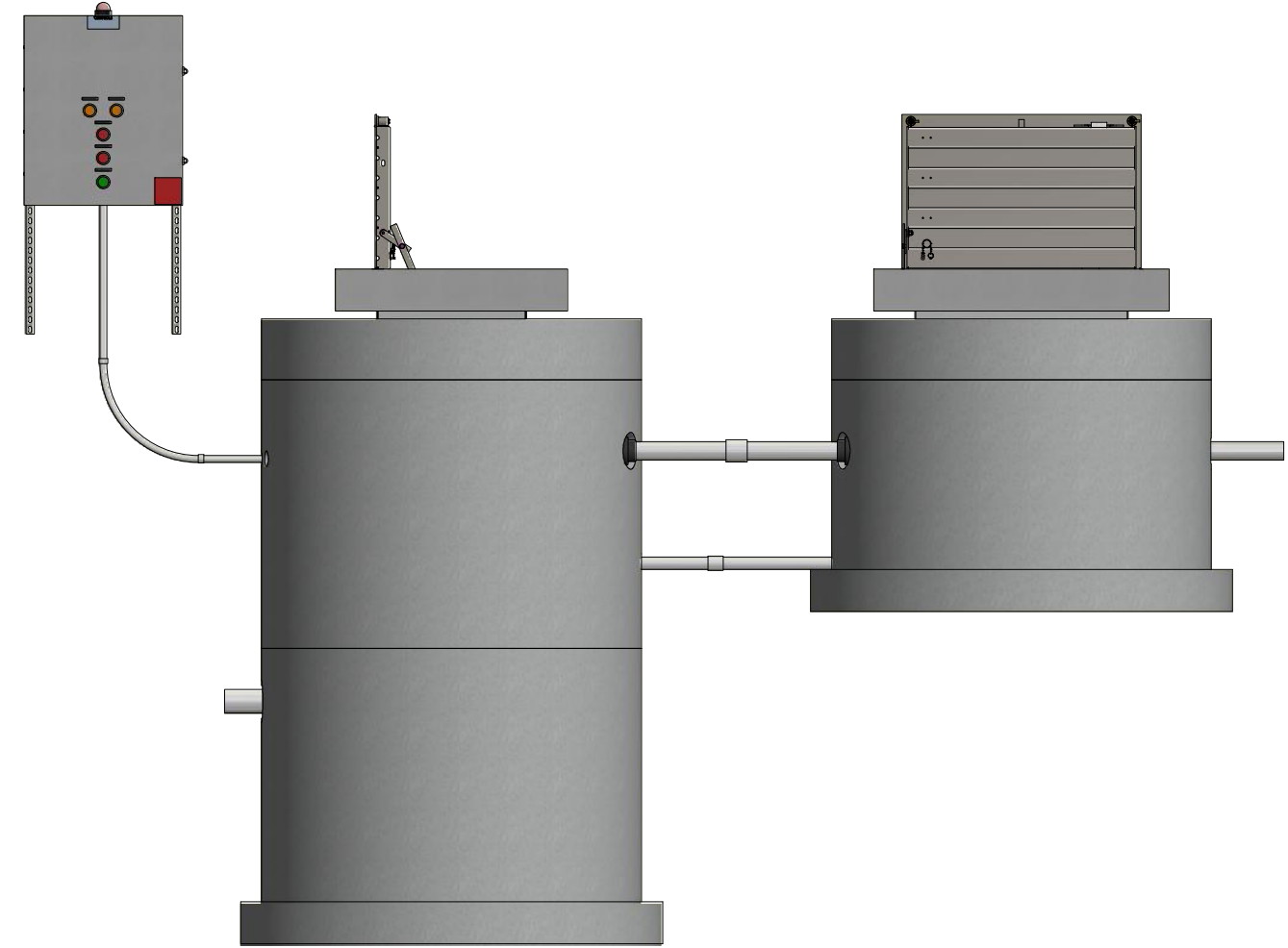
360-DV SERIES STANDARD DUPLEX PUMP STATION



TOP LEFT ISOMETRIC VIEW w/ SECTION
NOT TO SCALE



PLAN VIEW
NOT TO SCALE



PROFILE VIEW
NOT TO SCALE

360-DV Series Standard.idw

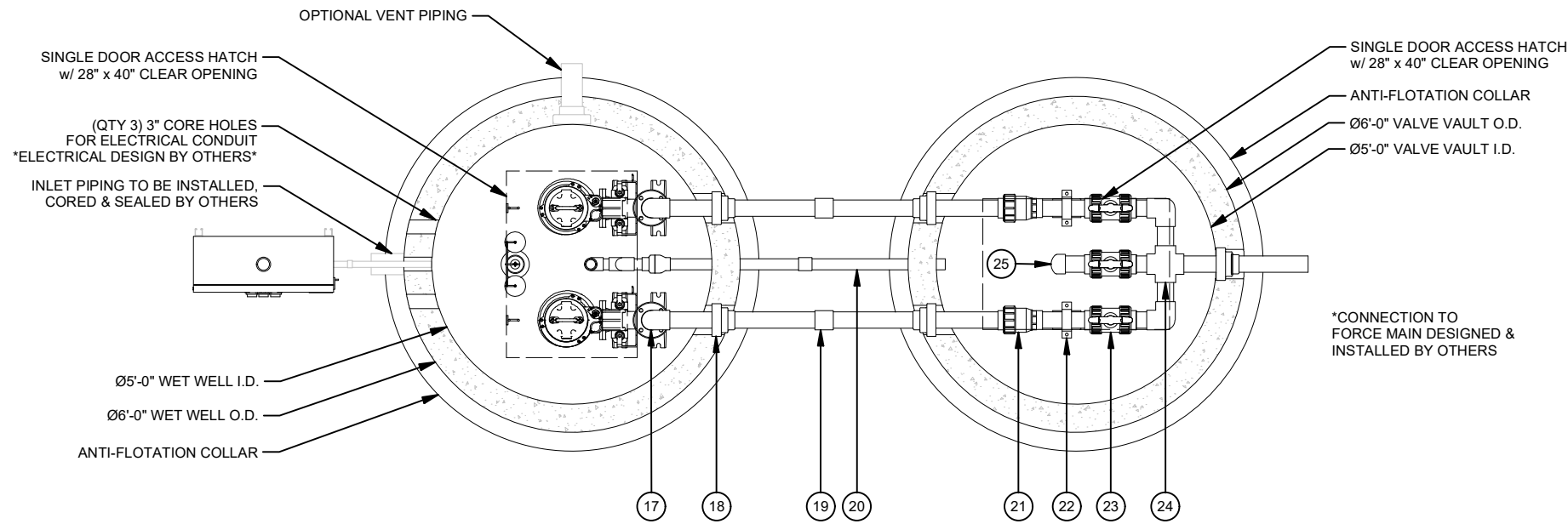
DISCLAIMERS, INCLUDING BUT NOT LIMITED TO:

- 1.) All elevations have been provided by others, and have not been verified by Jensen Precast. Contractor to verify all dimensions and elevations in field prior to installation.
- 2.) These layout drawings are intended to show overall system design only. All concrete component thicknesses, dimensions, and joint orientations may vary across Jensen Precast's manufacturing facilities. Contractor to confirm all thicknesses, dimensions, and joint orientations prior to installation.
- 3.) System design criteria has been provided to Jensen Precast. Others are responsible for verification that system meets intended application.
- 4.) Foundation, subgrade, and backfill to be designed by others.

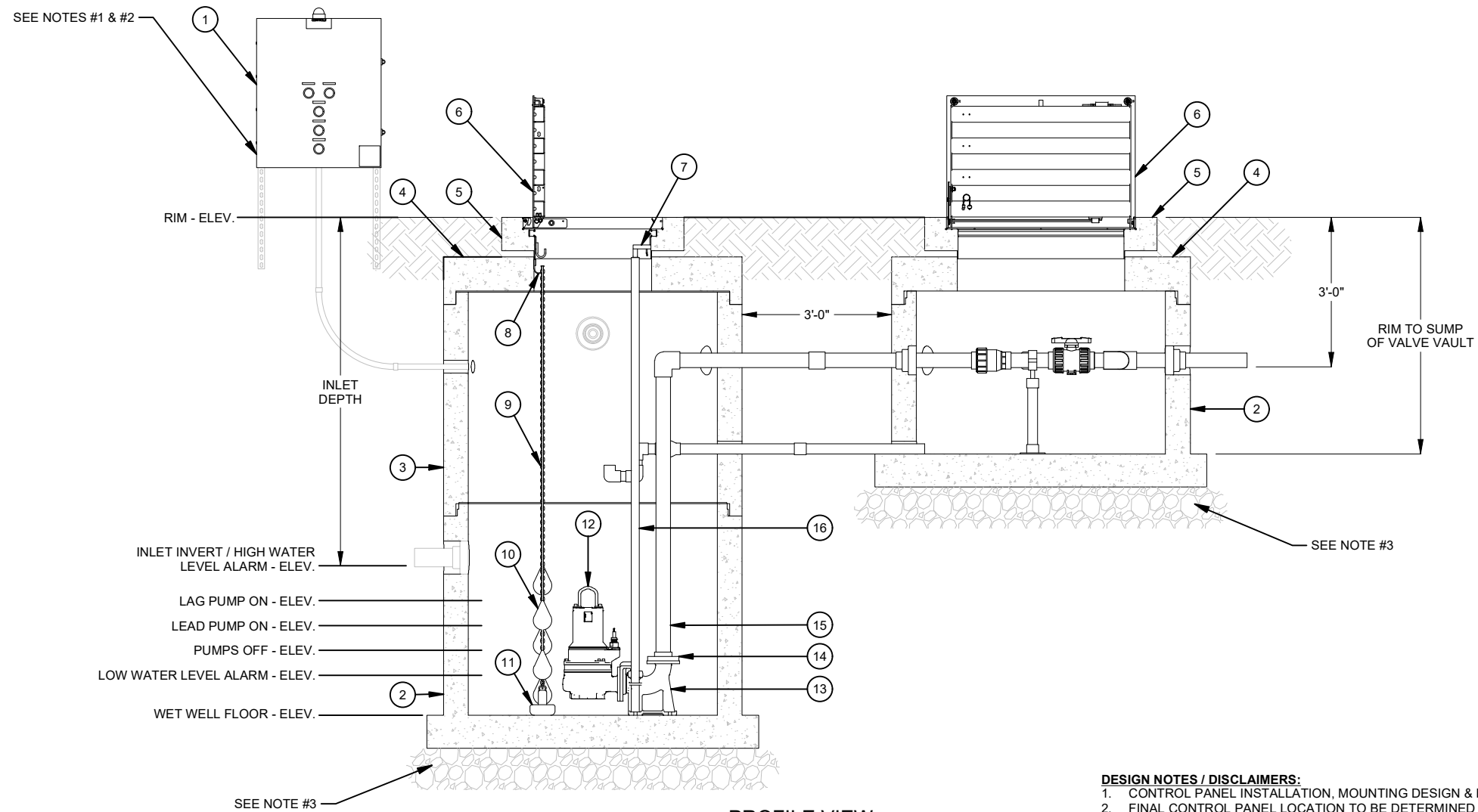
JENSEN  PUMP STATIONS
521 DUNN CIRCLE, SPARKS, NV 89431
www.jensenwaterresources.com
(855) 468-5600

©2018 Jensen Precast - All rights reserved.
All materials appearing as Jensen Precast documents and the like are proprietary work product and are protected under U.S. copyright and other laws.
Unless in conjunction with business conducted with Jensen Precast, any use of Jensen Precast work product without express, written consent is prohibited, and recipient is prohibited from distributing any and all work product to non-approved third parties under penalty of civil action.

DESCRIPTION:		360-DV SERIES STANDARD		REV:
TITLE SHEET				SHEET:
PART NUMBER:	360-DV Series Standard	DRAWN BY:	T. Handke	1 of 2
CREATED:		MODIFIED:	4/29/2020	



PLAN VIEW
NOT TO SCALE



PROFILE VIEW
NOT TO SCALE

- DESIGN NOTES / DISCLAIMERS:**
- CONTROL PANEL INSTALLATION, MOUNTING DESIGN & HARDWARE BY OTHERS.
 - FINAL CONTROL PANEL LOCATION TO BE DETERMINED ACCORDING TO PROJECT REQUIREMENTS. CONSULT ALL SUBMITTED PUMP AND LEVEL CONTROL CABLE LENGTHS WHEN DETERMINING THE CONTROL PANEL LOCATION.
 - ALL FOUNDATION, SUBGRADE, AND BACKFILL DESIGNED BY OTHERS.

BILL OF MATERIALS		
ITEM	QTY	DESCRIPTION
1	1	DUPLEX ALTERNATING CONTROL PANEL
2	2	60IN DIA. JENSEN PRECAST CONCRETE MANHOLE BASE *HEIGHT VARIES*
3	1	60IN DIA. JENSEN PRECAST CONCRETE MANHOLE BARREL *HEIGHT VARIES*
4	2	60IN DIA. JENSEN PRECAST CONCRETE MANHOLE FLAT TOP
5	2	JENSEN PRECAST CONCRETE HATCH RISER
6	2	SINGLE DOOR HATCH WITH A CLEAR OPENING OF 28IN X 40IN
7	2	UPPER GUIDE RAIL BRACKET 3IN
8	1	FLOAT BRACKET 3 HOOK TYPE 316SS
9	10 LF	LF CHAIN 1/4IN 316SS
10	5	FLOAT SWITCH w/ 100' CABLE
11	1	ANCHOR 15LB PVC COATED
12	2	3IN SUBMERSIBLE PUMP
13	2	AUTOCOUPLING ASSY 3IN FLG
14	2	ADAPTER 3IN FLG X SLIP SCH 80 PVC
15	40 LF	LF PIPE PVC SCH 80 3IN DIA
16	40 LF	LF PIPE 1.5IN SCH40 GUIDE RAIL 304SS
17	4	90 DEG ELBOW 3IN SCH 80 PVC SLIP
18	5	FLEXIBLE PIPE CONNECTORS
19	2	FITTING PVC SCH 80 3IN DIA COUPLING SLIP
20	1	2IN DIA. PVC SCH40 VAULT DRAIN w/ CHECK VALVE, TRAP & FITTINGS
21	2	BALL CHECK VALVE 3IN SCH 80 PVC SLIP
22	2	PIPE SUPPORTS
23	3	BALL VALVE 3IN SCH 80 PVC SLIP
24	1	CROSS 3IN SCH 80 PVC SLIP
25	1	CAP 3IN SCH 80 PVC SLIP

PROJECT SPECIFIC INFORMATION		
PROJECT NAME:		
RIM ELEV. (Ft.)		
INLET ELEV. (Ft.)		
FORCE MAIN DISCHARGE ELEV. (Ft.)		
AVAILABLE POWER SUPPLY	120V <input type="checkbox"/>	240V <input type="checkbox"/> 480V <input type="checkbox"/>
AVAILABLE POWER PHASE	Single <input type="checkbox"/>	Three <input type="checkbox"/>

SYSTEM CHARACTERISTICS		
APPLICATION	SEWAGE <input type="checkbox"/>	STORM WATER <input type="checkbox"/>
DESIGN FLOW (gpm)		
TOTAL DYNAMIC HEAD (Ft.)		
STATIC HEAD (Ft.)		
PUMP MOTOR (Std / XP)	Standard <input type="checkbox"/>	XP/FM <input type="checkbox"/>
PUMP TYPE	Non-Clog <input type="checkbox"/>	Grinder <input type="checkbox"/> Chopper <input type="checkbox"/> Vortex <input type="checkbox"/>
PUMP RATED HP & CURRENT		
ACCESS HATCH LOAD LEVEL	Pedestrian <input type="checkbox"/>	Incidental H-20 <input type="checkbox"/> Parking Lot H-20 <input type="checkbox"/> Full Traffic H-20 <input type="checkbox"/>

ADDITIONAL OPTIONS		
OPTION	YES	NO
CONTROL PANEL SS ENCLOSURE	<input type="checkbox"/>	<input type="checkbox"/>
CONTROL PANEL AC UNIT	<input type="checkbox"/>	<input type="checkbox"/>
CONTROL PANEL REMOTE ALARM MONITORING	<input type="checkbox"/>	<input type="checkbox"/>
AIR RELEASE/VACUUM VALVE	<input type="checkbox"/>	<input type="checkbox"/>
INTERIOR LINER	<input type="checkbox"/>	<input type="checkbox"/>
CONCRETE WATERPROOFING	<input type="checkbox"/>	<input type="checkbox"/>
VENT PIPE	<input type="checkbox"/>	<input type="checkbox"/>
ODOR CONTROL VALVE	<input type="checkbox"/>	<input type="checkbox"/>
LIFTING CRANE	<input type="checkbox"/>	<input type="checkbox"/>
GENERATOR RECEPTACLE	<input type="checkbox"/>	<input type="checkbox"/>

DISCLAIMERS, INCLUDING BUT NOT LIMITED TO:

- All elevations have been provided by others, and have not been verified by Jensen Precast. Contractor to verify all dimensions and elevations in field prior to installation.
- These layout drawings are intended to show overall system design only. All concrete component thicknesses, dimensions, and joint orientations may vary across Jensen Precast's manufacturing facilities. Contractor to confirm all thicknesses, dimensions, and joint orientations prior to installation.
- System design criteria has been provided to Jensen Precast. Others are responsible for verification that system meets intended application.
- Foundation, subgrade, and backfill to be designed by others.

JENSEN PUMP STATIONS

521 DUNN CIRCLE, SPARKS, NV 89431
www.jensenwaterresources.com
 (855) 468-5600

©2018 Jensen Precast - All rights reserved.
 All materials appearing as Jensen Precast documents and the like are proprietary work product and are protected under U.S. copyright and other laws.

Unless in conjunction with business conducted with Jensen Precast, any use of Jensen Precast work product without express, written consent is prohibited, and recipient is prohibited from distributing any and all work product to non-approved third parties under penalty of civil action.

DESCRIPTION: **360-DV SERIES STANDARD**

MECHANICAL DETAIL

PART NUMBER: 360-DV Series Standard
 DRAWN BY: T. Handke
 CREATED: []
 MODIFIED: 4/29/2020

REV: []
 SHEET: 2 OF 2

360-DV Series Standard.idw