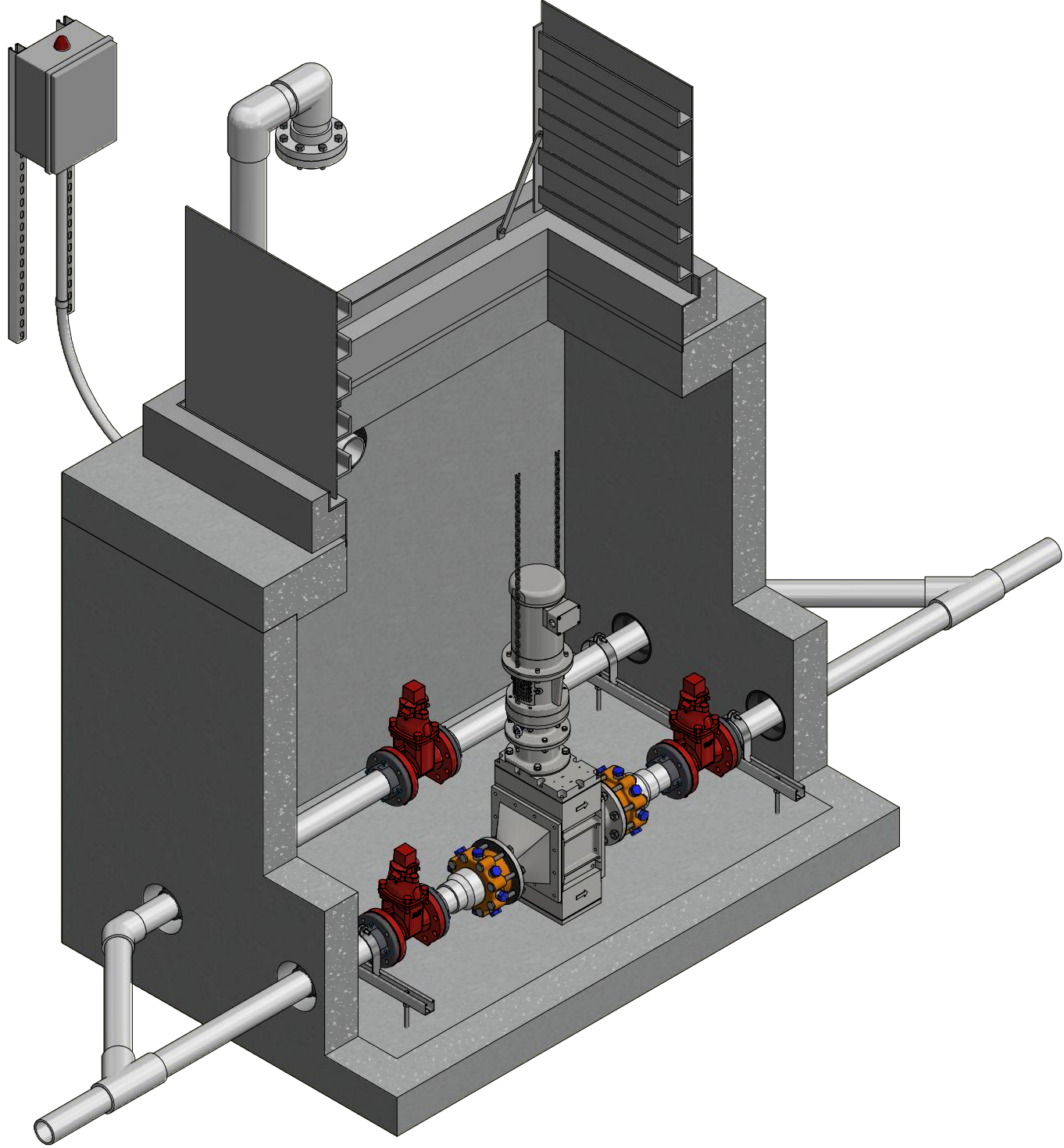
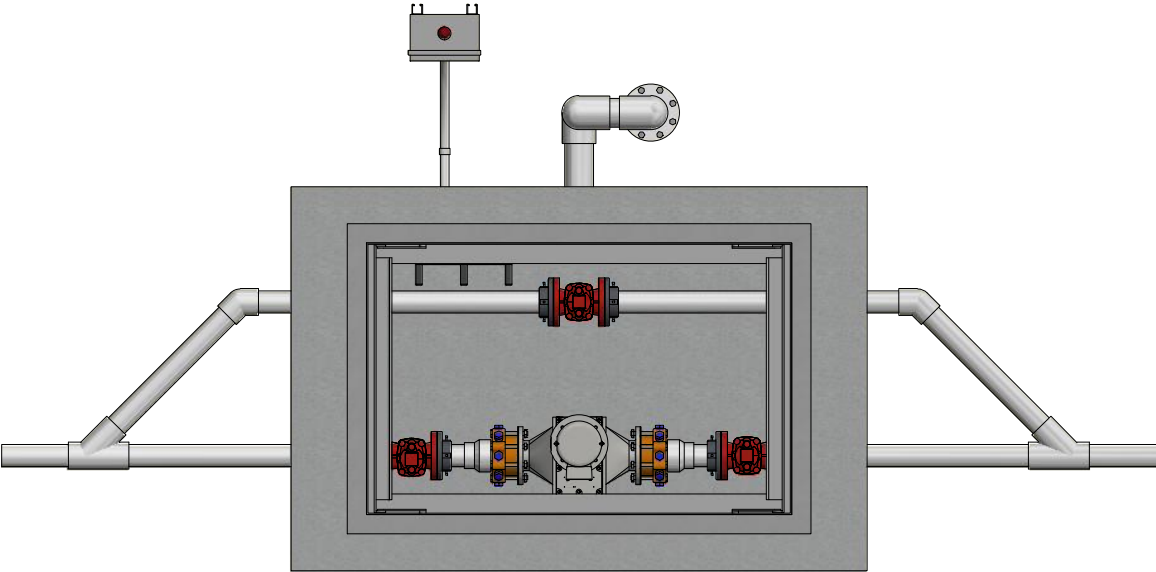


# 3IN INLINE-BYPASS GRINDER SYSTEM

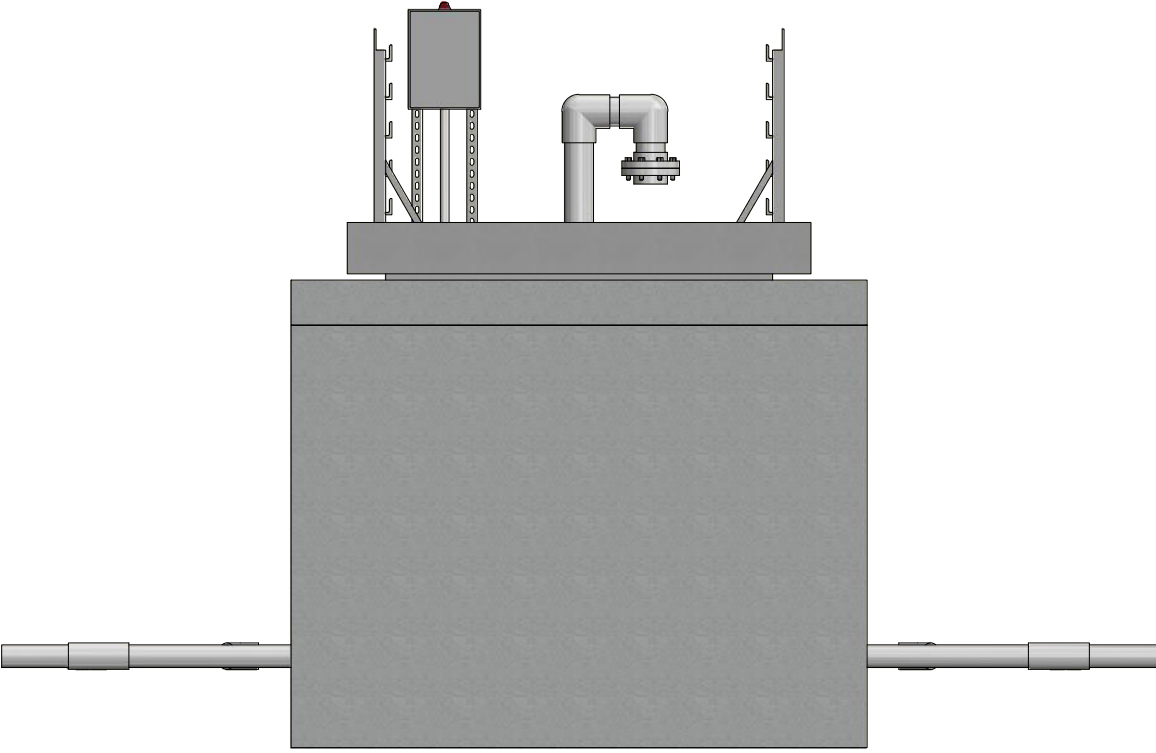
MODEL#: 34878-IL-BP



TOP LEFT ISOMETRIC VIEW w/ SECTION  
NOT TO SCALE



PLAN VIEW  
NOT TO SCALE



PROFILE VIEW  
NOT TO SCALE

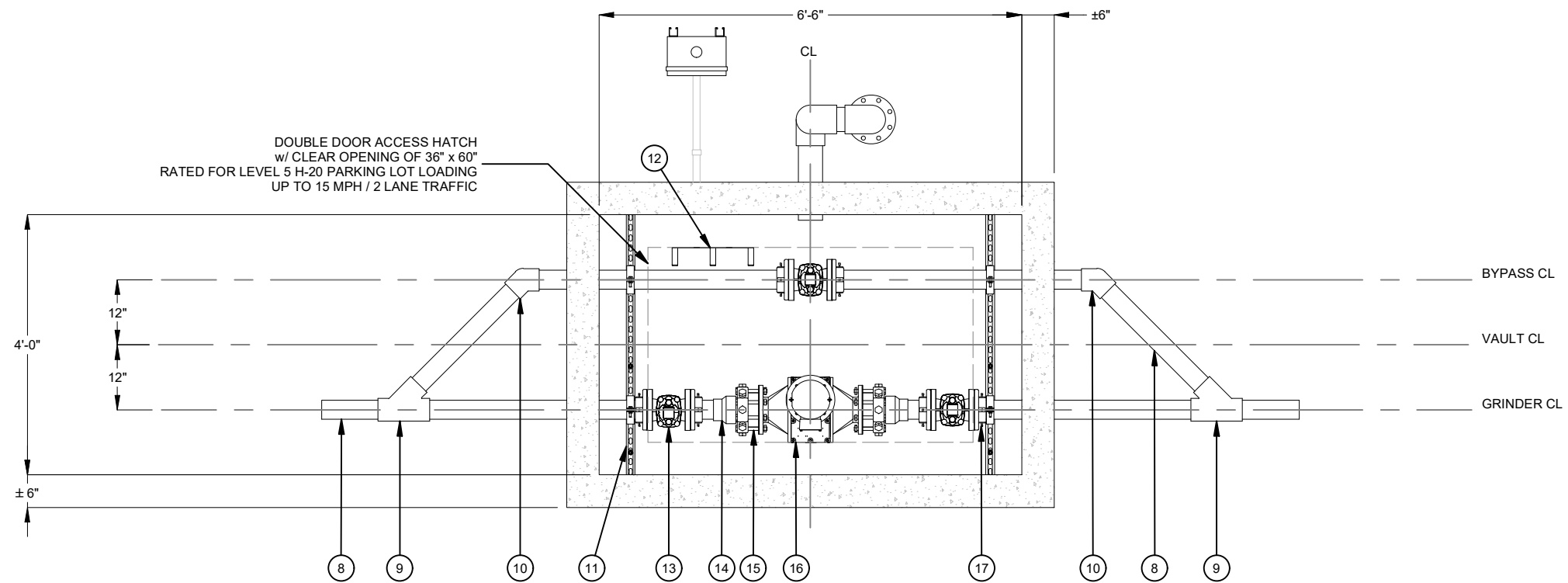
34878-IL-BP.dwg

**DISCLAIMERS, INCLUDING BUT NOT LIMITED TO:**  
 1.) All elevations have been provided by others, and have not been verified by Jensen Precast. Contractor to verify all dimensions and elevations in field prior to installation.  
 2.) These layout drawings are intended to show overall system design only. All concrete component thicknesses, dimensions, and joint orientations may vary across Jensen Precast's manufacturing facilities. Contractor to confirm all thicknesses, dimensions, and joint orientations prior to installation.  
 3.) System design criteria has been provided to Jensen Precast. Others are responsible for verification that system meets intended application.  
 4.) Foundation, subgrade, and backfill to be designed by others.

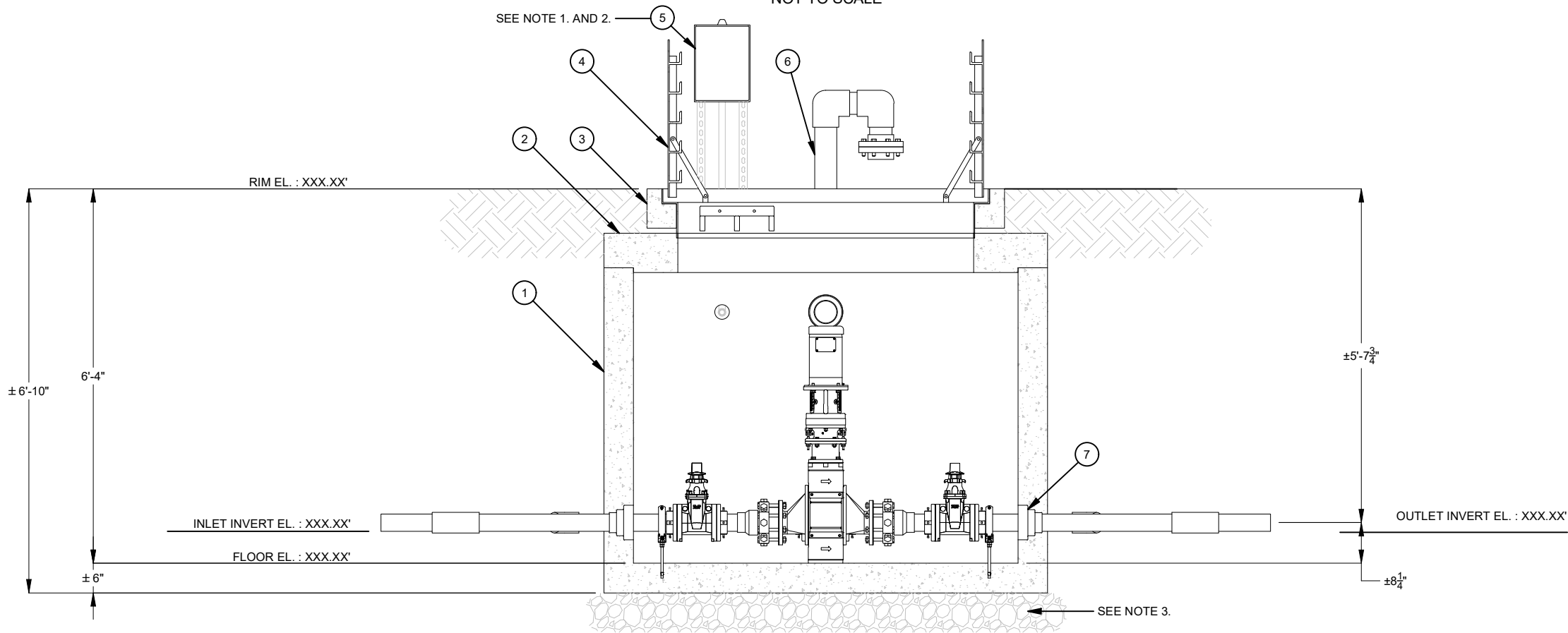
**JENSEN**  PUMP STATIONS  
 521 DUNN CIRCLE, SPARKS, NV 89431  
[www.jensenwaterresources.com](http://www.jensenwaterresources.com)  
 (855) 468-5600

©2018 Jensen Precast - All rights reserved.  
 All materials appearing as Jensen Precast documents and the like are proprietary work product and are protected under U.S. copyright and other laws.  
 Unless in conjunction with business conducted with Jensen Precast, any use of Jensen Precast work product without express, written consent is prohibited, and recipient is prohibited from distributing any and all work product to non-approved third parties under penalty of civil action.

DESCRIPTION:		3IN INLINE-BYPASS GRINDER		REV:
TITLE SHEET				SHEET:
PART NUMBER:	34878-IL-BP	DRAWN BY:	T. Handke	1 of 2
CREATED:	6/12/2020	MODIFIED:	6/15/2020	



PLAN VIEW  
NOT TO SCALE



PROFILE VIEW  
NOT TO SCALE

BILL OF MATERIALS		
ITEM	QTY	DESCRIPTION
1	1	JENSEN PRECAST CONCRETE VAULT BASE 4'-0" x 6'-6" *HEIGHT VARIES*
2	1	JENSEN PRECAST VAULT FLAT TOP 4'-0" x 6'-6" *HEIGHT VARIES*
3	1	JENSEN PRECAST CONCRETE HATCH RISER 36IN X 60IN
4	1	DOUBLE DOOR HATCH WITH A CLEAR OPENING OF 36 IN X 60IN
5	1	GRINDER CONTROL PANEL, JAM SENSING AND AUTO REVERSING CAPABILITIES
6	1	4IN SCH80 PVC VENT w/ FITTINGS & BUG SCREEN
7	5	CONNECTOR BOOT S106-7MWS-MULTI CORE-SEAL ASTM C923/C1644 SS MULTI HOLE-7 1.50-4.80
8	40 LF	LF PIPE PVC SCH80 3IN DIA
9	2	WYE 3IN SCH 80 PVC
10	2	45 DEG ELBOW 3IN SCH 80 PVC SLIP
11	1	PIPE SUPPORT BRACING ASSEMBLY w/ 316SS HARDWARE
12	1	JMT FLOAT BRACKET 3-HOOK FORMED SS
13	3	GATE VALVE 3IN FLG w/ NBR WEDGE
14	2	REDUCER COUPLING 4IN X 3IN SCH 80 PVC
15	2	FLG ADAPTER 4IN W/ SS HARDWARE EBAA 2100 MEGAFLANGE
16	1	TWIN SHAFT GRINDER, 4IN INLINE, SS INSTALL HARDWARE
17	6	3IN EBAA SERIES 1003 E-Z FLANGE
18	1	VALVE T-WRENCH 2IN NUT DRIVE

GRINDER CHARACTERISTICS	
DESCRIPTION	VALUE
GRINDER TYPE	4" IN-LINE GRINDER
MAX GRINDER FLOW RATE	500 gpm
HORSEPOWER	3.0 / 5.0 HP
REQUIRED POWER	230/460 V   3 PH
ACCESS HATCH LOADING CRITERIA	H-20 PARKING LOT LOADING

**DESIGN NOTES / DISCLAIMERS:**  
 1. CONTROL PANEL INSTALLATION, MOUNTING DESIGN & HARDWARE BY OTHERS.  
 2. FINAL CONTROL PANEL LOCATION TO BE DETERMINED ACCORDING TO PROJECT REQUIREMENTS. CONSULT ALL SUBMITTED GRINDER CABLE LENGTH WHEN DETERMINING THE CONTROL PANEL LOCATION.  
 3. ALL FOUNDATION, SUBGRADE, AND BACKFILL DESIGNED BY OTHERS.

**DISCLAIMERS, INCLUDING BUT NOT LIMITED TO:**  
 1.) All elevations have been provided by others, and have not been verified by Jensen Precast. Contractor to verify all dimensions and elevations in field prior to installation.  
 2.) These layout drawings are intended to show overall system design only. All concrete component thicknesses, dimensions, and joint orientations may vary across Jensen Precast's manufacturing facilities. Contractor to confirm all thicknesses, dimensions, and joint orientations prior to installation.  
 3.) System design criteria has been provided to Jensen Precast. Others are responsible for verification that system meets intended application.  
 4.) Foundation, subgrade, and backfill to be designed by others.

**JENSEN PUMP STATIONS**  
 521 DUNN CIRCLE, SPARKS, NV 89431  
 www.jensenwaterresources.com  
 (855) 468-5600

©2018 Jensen Precast - All rights reserved.  
 All materials appearing as Jensen Precast documents and the like are proprietary work product and are protected under U.S. copyright and other laws.  
 Unless in conjunction with business conducted with Jensen Precast, any use of Jensen Precast work product without express, written consent is prohibited, and recipient is prohibited from distributing any and all work product to non-approved third parties under penalty of civil action.

DESCRIPTION:		3IN INLINE-BYPASS GRINDER		REV:
MECHANICAL DETAIL				SHEET:
PART NUMBER:	34878-IL-BP	DRAWN BY:	T. Handke	2 OF 2
CREATED:	6/12/2020	MODIFIED:	6/15/2020	