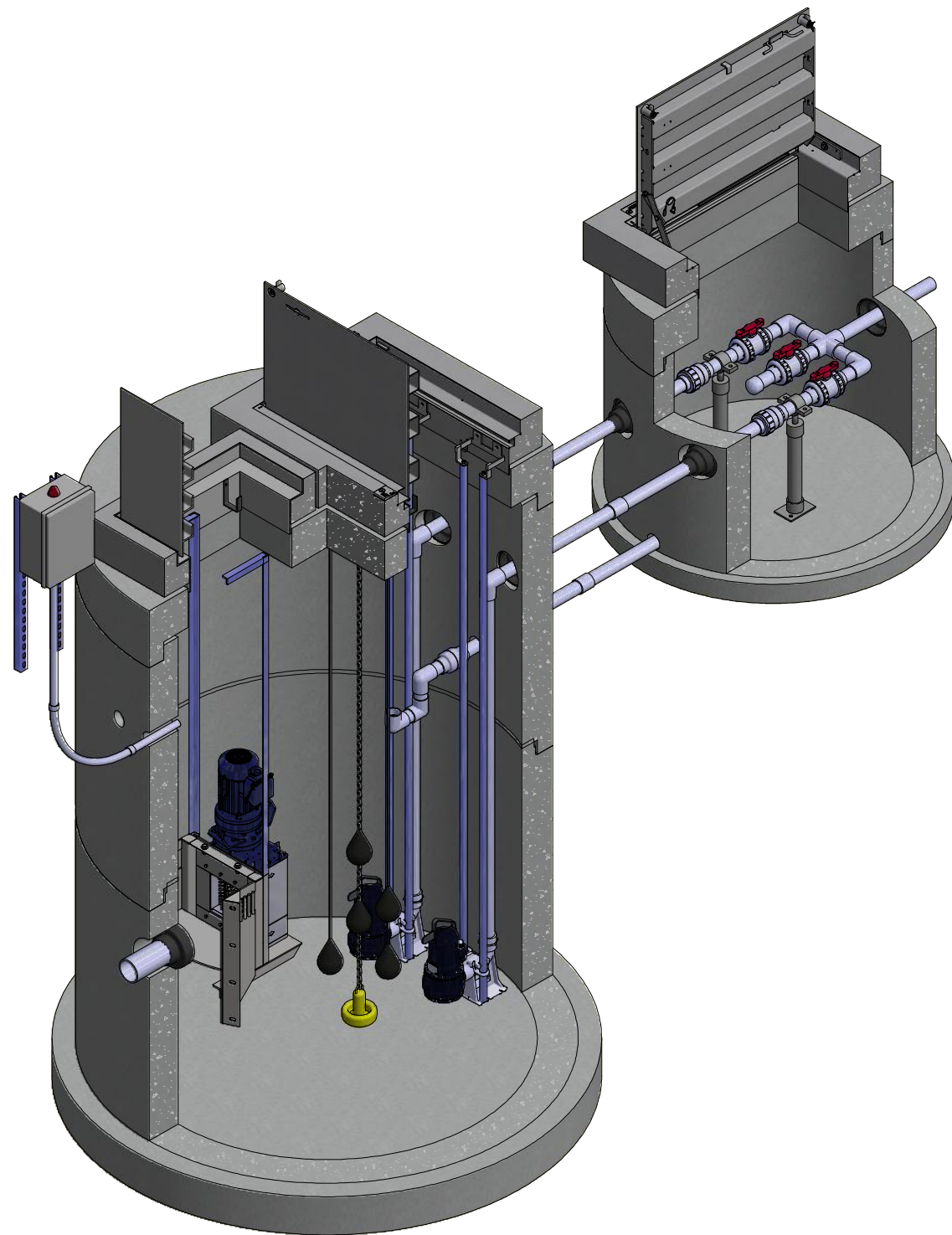
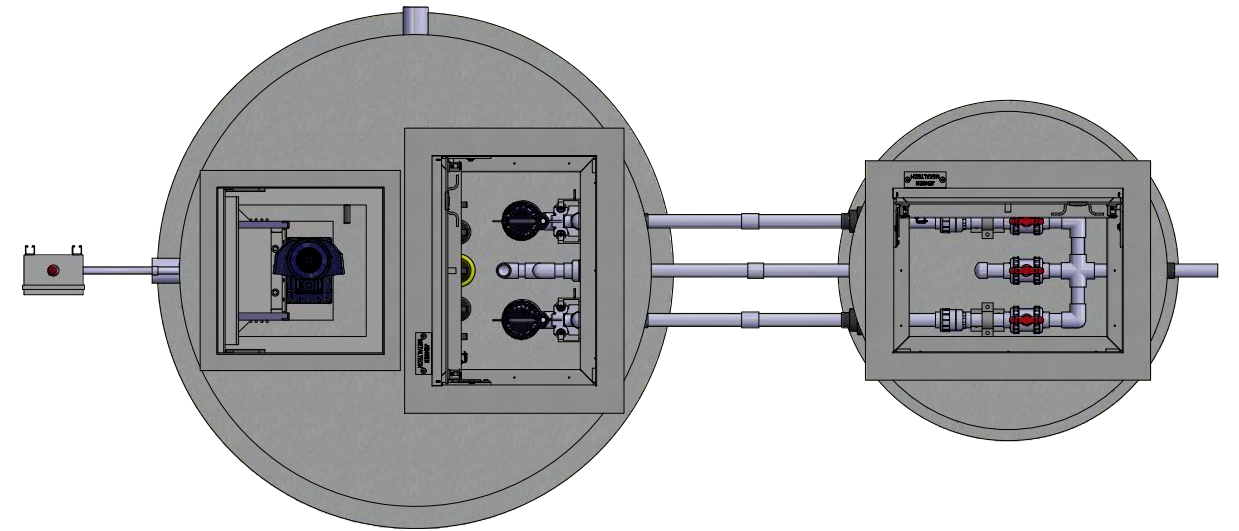


DUPLEX 2IN PUMP STATION W/ WALL MOUNTED GRINDER

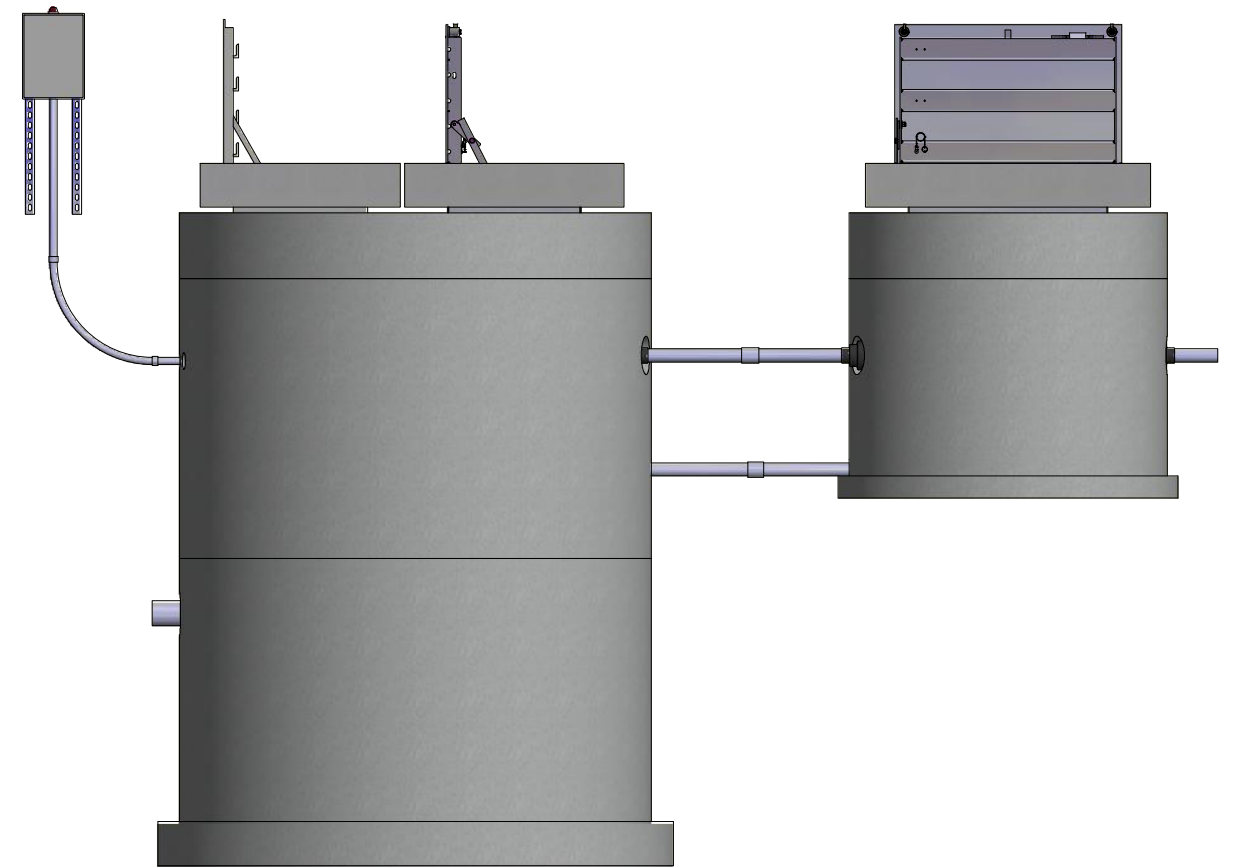
272-DV-WG



TOP LEFT ISOMETRIC VIEW w/ SECTION
NOT TO SCALE



PLAN VIEW
NOT TO SCALE



PROFILE VIEW
NOT TO SCALE

272-DV-WG.idw

DISCLAIMERS, INCLUDING BUT NOT LIMITED TO:

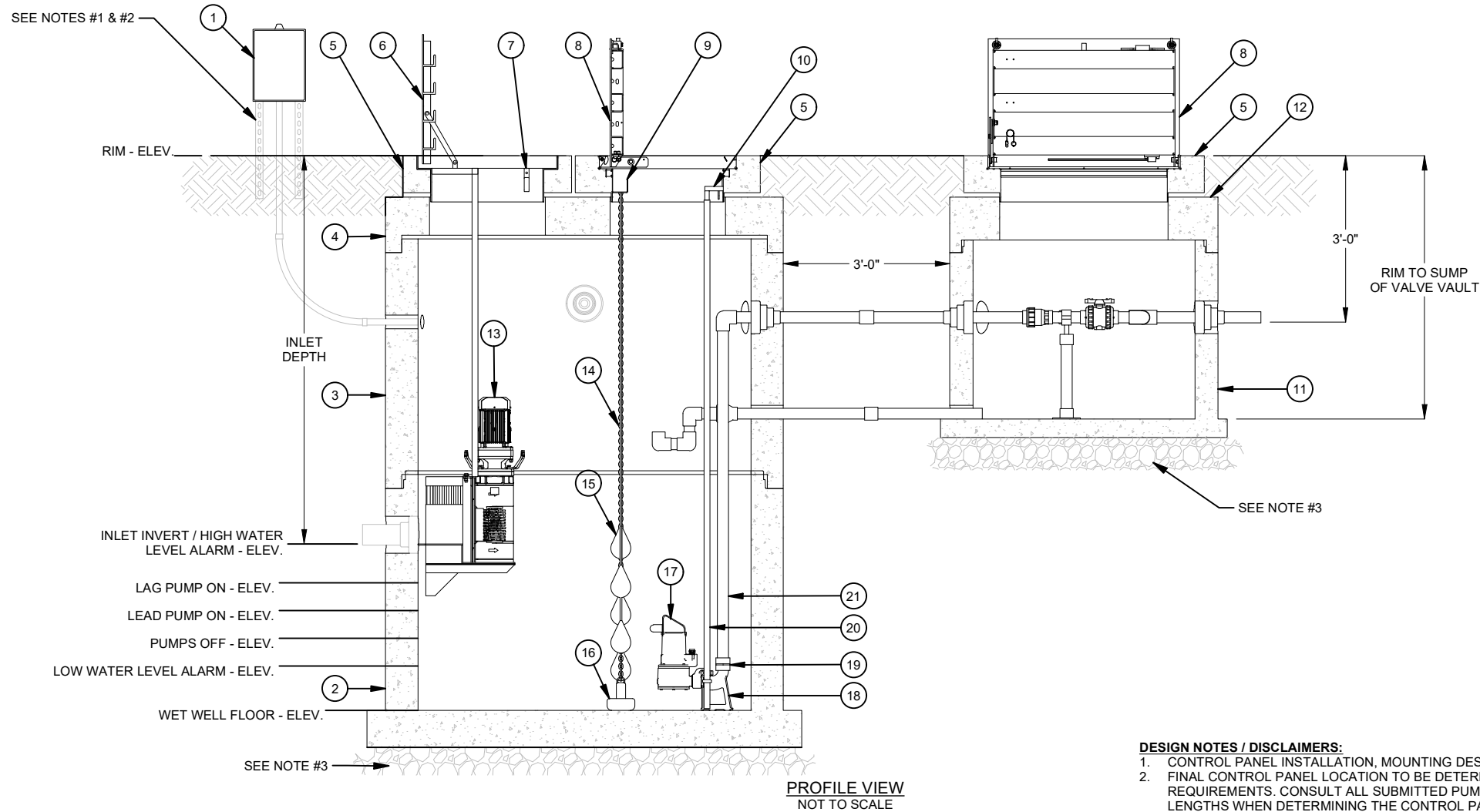
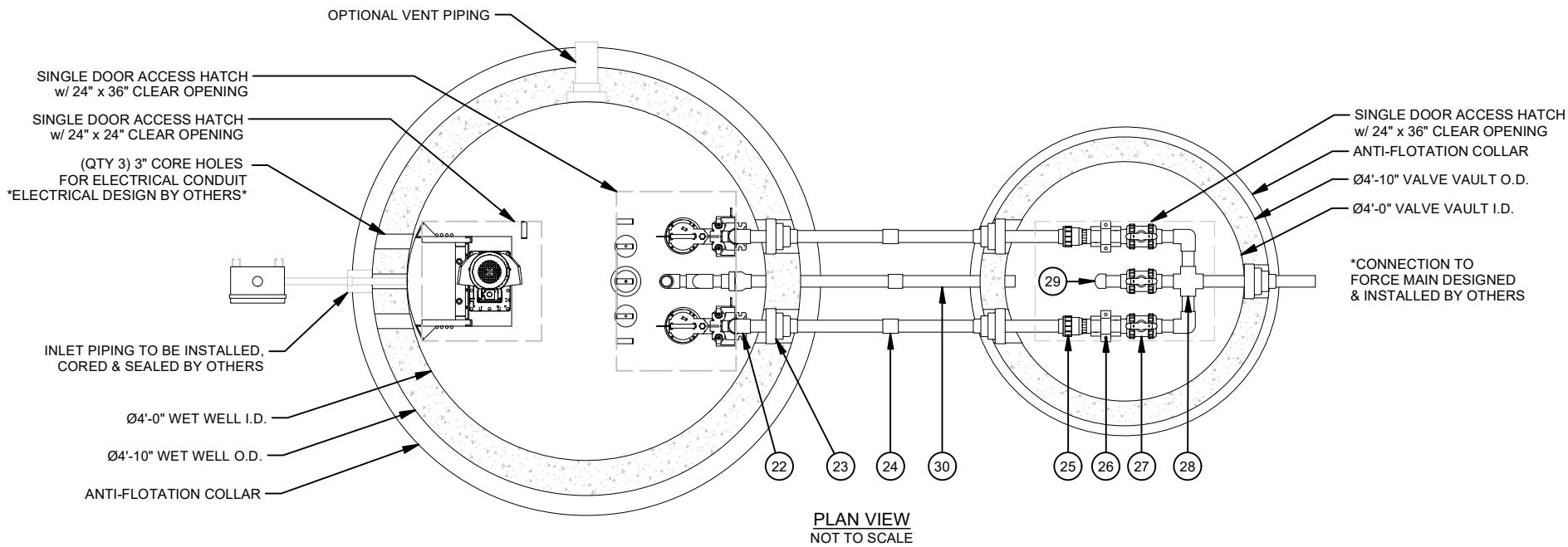
- 1.) All elevations have been provided by others, and have not been verified by Jensen Precast. Contractor to verify all dimensions and elevations in field prior to installation.
- 2.) These layout drawings are intended to show overall system design only. All concrete component thicknesses, dimensions, and joint orientations may vary across Jensen Precast's manufacturing facilities. Contractor to confirm all thicknesses, dimensions, and joint orientations prior to installation.
- 3.) System design criteria has been provided to Jensen Precast. Others are responsible for verification that system meets intended application.
- 4.) Foundation, subgrade, and backfill to be designed by others.

JENSEN  PUMP STATIONS

521 DUNN CIRCLE, SPARKS, NV 89431
www.jensenwaterresources.com
(855) 468-5600

©2018 Jensen Precast - All rights reserved.
All materials appearing as Jensen Precast documents and the like are proprietary work product and are protected under U.S. copyright and other laws.
Unless in conjunction with business conducted with Jensen Precast, any use of Jensen Precast work product without express, written consent is prohibited, and recipient is prohibited from distributing any and all work product to non-approved third parties under penalty of civil action.

DESCRIPTION: 2IN DUPLEX WASTEWATER PUMP STATION W/ WALL MOUNTED GRINDER		REV:
TITLE SHEET		SHEET:
PART NUMBER: 272-DV-WG	DRAWN BY: J. Salo	1 of 2
CREATED:	MODIFIED: 5/15/2020	



- DESIGN NOTES / DISCLAIMERS:**
- CONTROL PANEL INSTALLATION, MOUNTING DESIGN & HARDWARE BY OTHERS.
 - FINAL CONTROL PANEL LOCATION TO BE DETERMINED ACCORDING TO PROJECT REQUIREMENTS. CONSULT ALL SUBMITTED PUMP AND LEVEL CONTROL CABLE LENGTHS WHEN DETERMINING THE CONTROL PANEL LOCATION.
 - ALL FOUNDATION, SUBGRADE, AND BACKFILL DESIGNED BY OTHERS.

BILL OF MATERIALS		
ITEM	QTY	DESCRIPTION
1	1	DUPLEX ALTERNATING CONTROL PANEL
2	1	72IN DIA JENSEN PRECAST CONCRETE MANHOLE BASE *HEIGHT VARIES*
3	1	72IN DIA JENSEN PRECAST CONCRETE MANHOLE BARREL *HEIGHT VARIES*
4	1	72IN DIA JENSEN PRECAST CONCRETE MANHOLE FLAT TOP
5	3	JENSEN PRECAST CONCRETE HATCH RISER
6	1	SINGLE DOOR HATCH WITH A CLEAR OPENING OF 24IN X 24IN
7	3	JMT FLOAT BRACKET 1-HOOK FORMED SS
8	2	SINGLE DOOR HATCH WITH A CLEAR OPENING OF 24IN X 36IN
9	1	JMT FLOAT BRACKET 3-HOOK FORMED SS
10	2	UPPER GUIDE RAIL BRACKET 2IN
11	1	48IN MANHOLE BASE
12	1	48IN MANHOLE FLAT TOP
13	1	CHANNEL GRINDER W/ LIFT OUT FRAME ASSY. AND DEDICATED CONTROL PANEL
14	10 LF	LF CHAIN 1/4IN 316SS
15	5	FLOAT SWITCH w/ 100' CABLE
16	1	ANCHOR 15LB PVC COATED
17	2	2IN SUBMERSIBLE PUMP
18	2	AUTOCOUPLING ASSY 2IN STD
19	2	ADAPTER 2IN THRD X SLIP SCH 80 PVC
20	40 LF	LF PIPE 1IN SCH40 GUIDE RAIL 304SS
21	40 LF	LF PIPE PVC SCH 80 2IN DIA
22	4	90 DEG ELBOW 2IN SCH 80 PVC SLIP
23	5	FLEXIBLE PIPE CONNECTORS
24	2	FITTING PVC SCH 80 2IN DIA COUPLING SLIP
25	2	BALL CHECK VALVE 2IN SCH 80 PVC SLIP
26	2	PIPE SUPPORTS
27	3	BALL VALVE 2IN SCH 80 PVC SLIP
28	1	CROSS 2IN SCH 80 PVC SLIP
29	1	CAP 2IN SCH 80 PVC SLIP
30	1	2IN DIA PVC SCH40 VAULT DRAIN w/ CHECK VALVE, TRAP & FITTINGS

PROJECT SPECIFIC INFORMATION	
FINISHED GRADE (Ft.)	
RIM ELEV. (Ft.)	
INLET ELEV. (Ft.)	
FORCE MAIN DISCHARGE ELEV. (Ft.)	
AVAILABLE POWER SUPPLY	120V [] 240V [] 480V []
AVAILABLE POWER PHASE	Single [] Three []

SYSTEM CHARACTERISTICS		
APPLICATION	SEWAGE []	STORM WATER []
DESIGN FLOW (gpm)		
TOTAL DYNAMIC HEAD (Ft.)		
STATIC HEAD (Ft.)		
PUMP MOTOR (Std / XP)	Standard []	XP/FM []
PUMP TYPE	Non-Clog []	Grinder [] Chopper [] Vortex []
PUMP RATED HP & CURRENT		
ACCESS HATCH LOAD LEVEL	Pedestrian []	Incidental H-20 [] Parking Lot H-20 [] Full Traffic H-20 []

ADDITIONAL OPTIONS		
OPTION	YES	NO
CONTROL PANEL SS ENCLOSURE	[]	[]
CONTROL PANEL AC UNIT	[]	[]
CONTROL PANEL REMOTE ALARM MONITORING	[]	[]
AIR RELEASE/VACUUM VALVE	[]	[]
INTERIOR LINER	[]	[]
CONCRETE WATERPROOFING	[]	[]
VENT PIPE	[]	[]
ODOR CONTROL VALVE	[]	[]
LIFTING CRANE	[]	[]
GENERATOR RECEPTACLE	[]	[]

DISCLAIMERS, INCLUDING BUT NOT LIMITED TO:

- All elevations have been provided by others, and have not been verified by Jensen Precast. Contractor to verify all dimensions and elevations in field prior to installation.
- These layout drawings are intended to show overall system design only. All concrete component thicknesses, dimensions, and joint orientations may vary across Jensen Precast's manufacturing facilities. Contractor to confirm all thicknesses, dimensions, and joint orientations prior to installation.
- System design criteria has been provided to Jensen Precast. Others are responsible for verification that system meets intended application.
- Foundation, subgrade, and backfill to be designed by others.

JENSEN PUMP STATIONS
 521 DUNN CIRCLE, SPARKS, NV 89431
 www.jensenwaterresources.com
 (855) 468-5600

©2018 Jensen Precast - All rights reserved.
 All materials appearing as Jensen Precast documents and the like are proprietary work product and are protected under U.S. copyright and other laws.
 Unless in conjunction with business conducted with Jensen Precast, any use of Jensen Precast work product without express, written consent is prohibited, and recipient is prohibited from distributing any and all work product to non-approved third parties under penalty of civil action.

DESCRIPTION:
2IN DUPLEX WASTEWATER PUMP STATION W/ WALL MOUNTED GRINDER
 MECHANICAL DETAIL
 PART NUMBER: 272-DV-WG
 DRAWN BY: J. Salo
 CREATED: 5/15/2020
 MODIFIED: 5/15/2020
 REV: SHEET: 2 OF 2

272-DV-WG.rdw