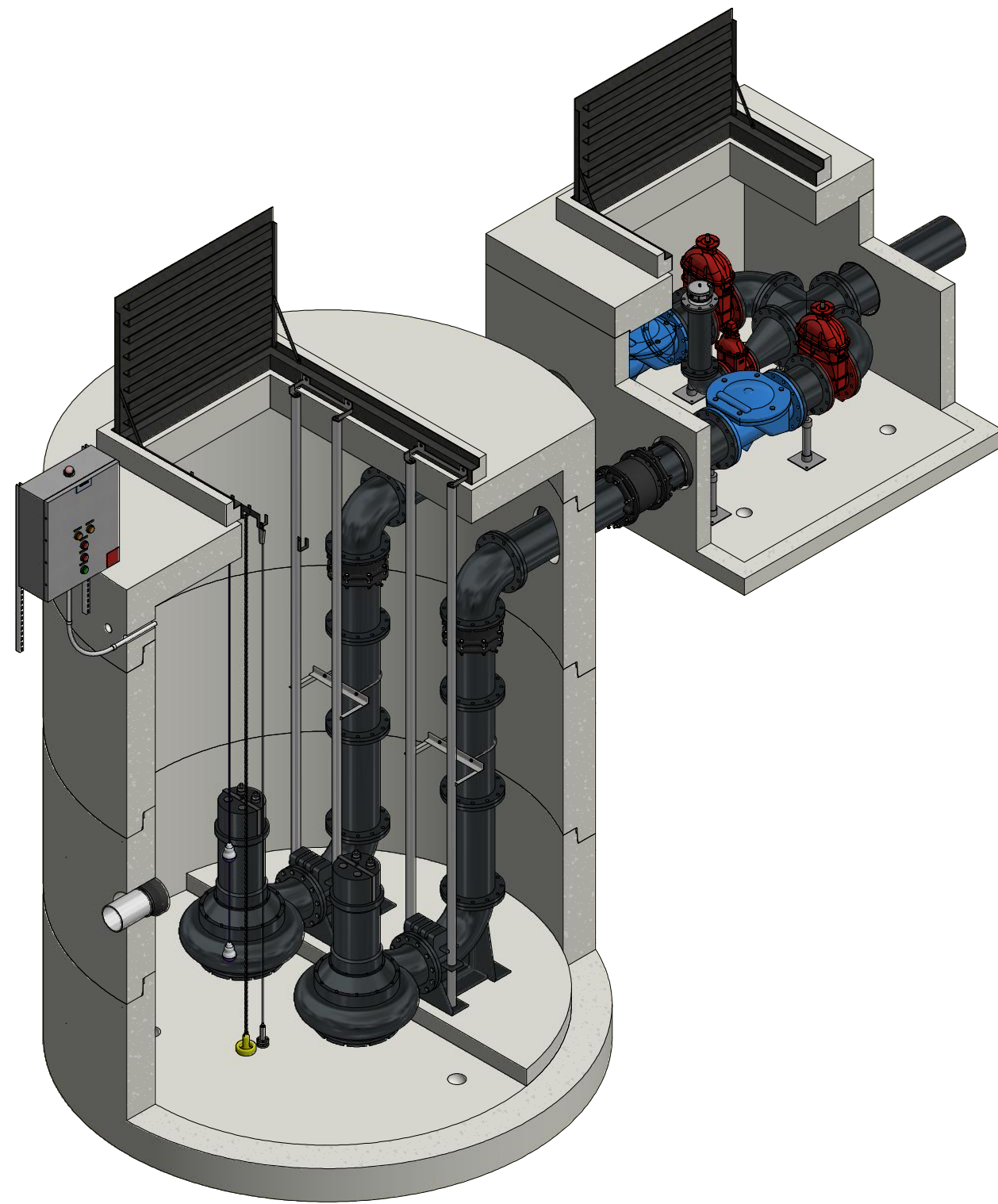
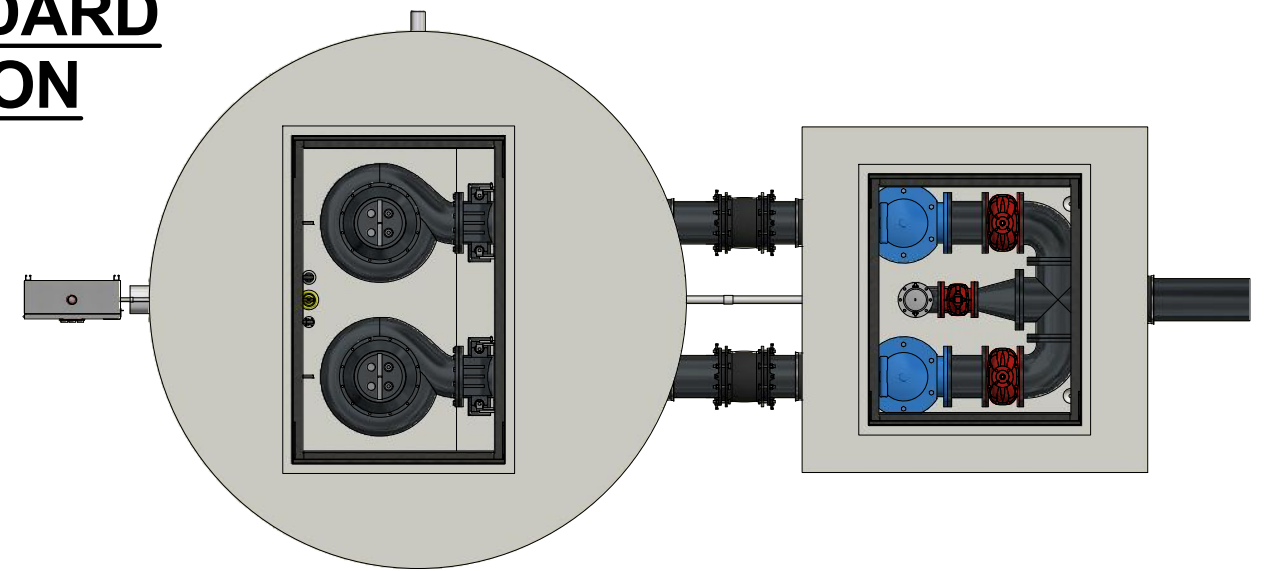


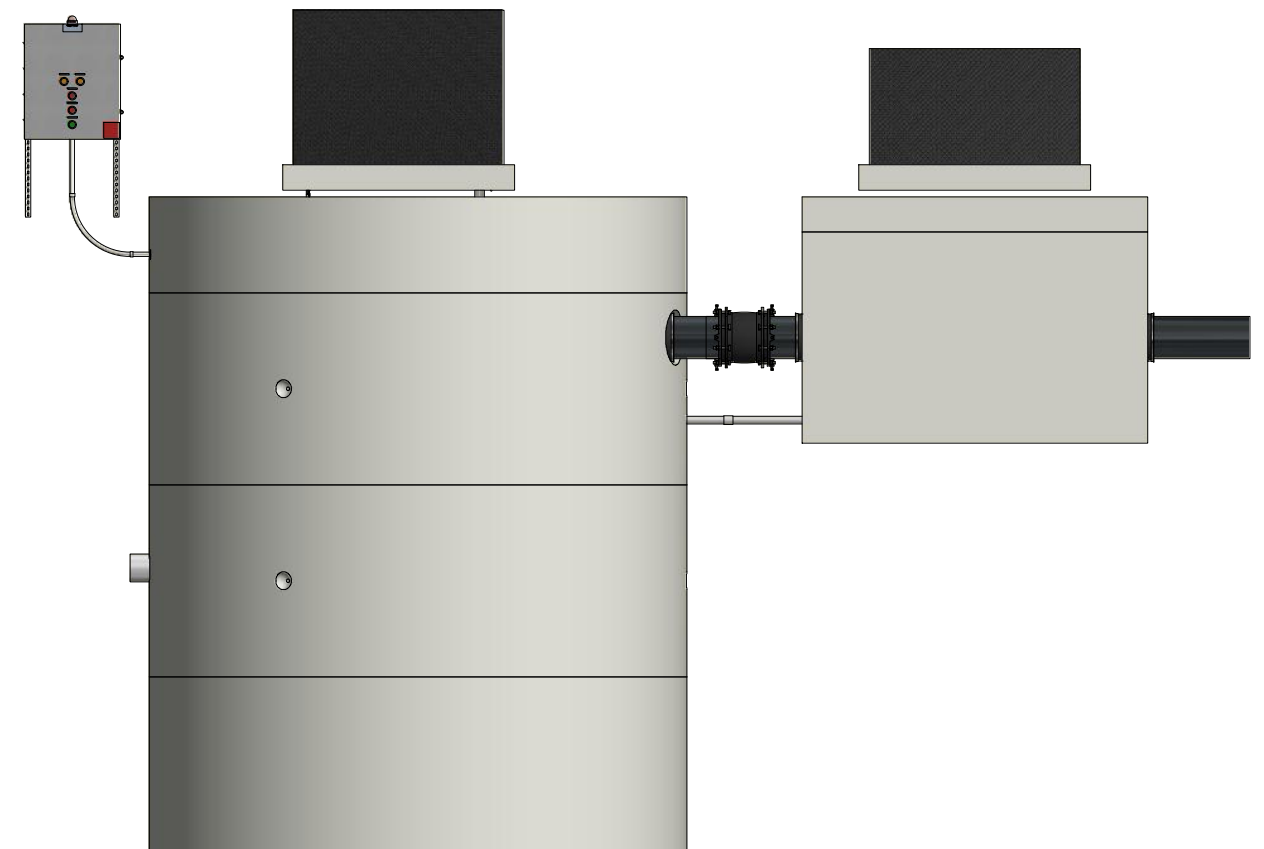
# 12144-DV SERIES STANDARD DUPLEX PUMP STATION



TOP LEFT ISOMETRIC VIEW w/ SECTION  
NOT TO SCALE



PLAN VIEW  
NOT TO SCALE



PROFILE VIEW  
NOT TO SCALE

12144-DV Series Standard.idw

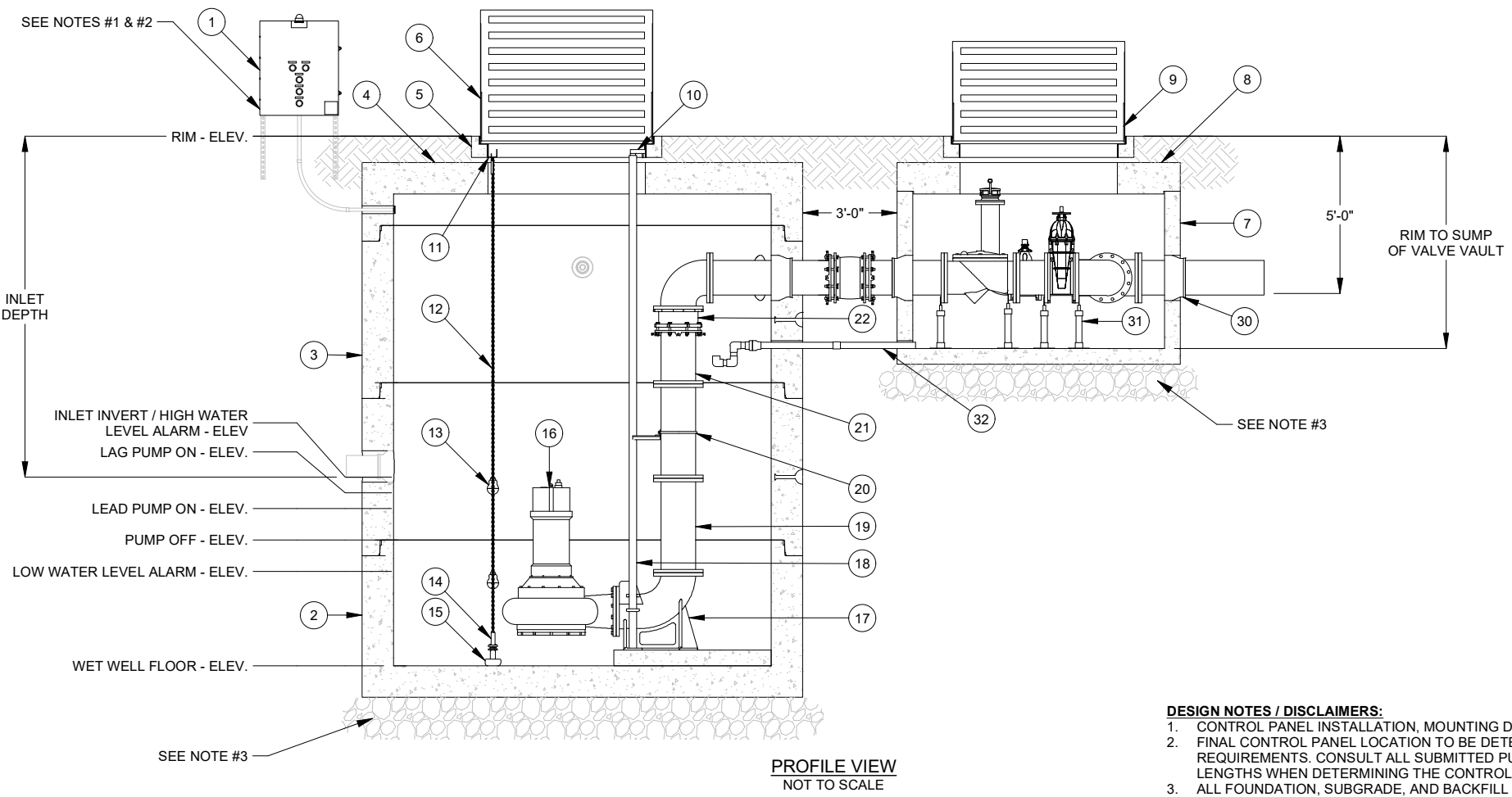
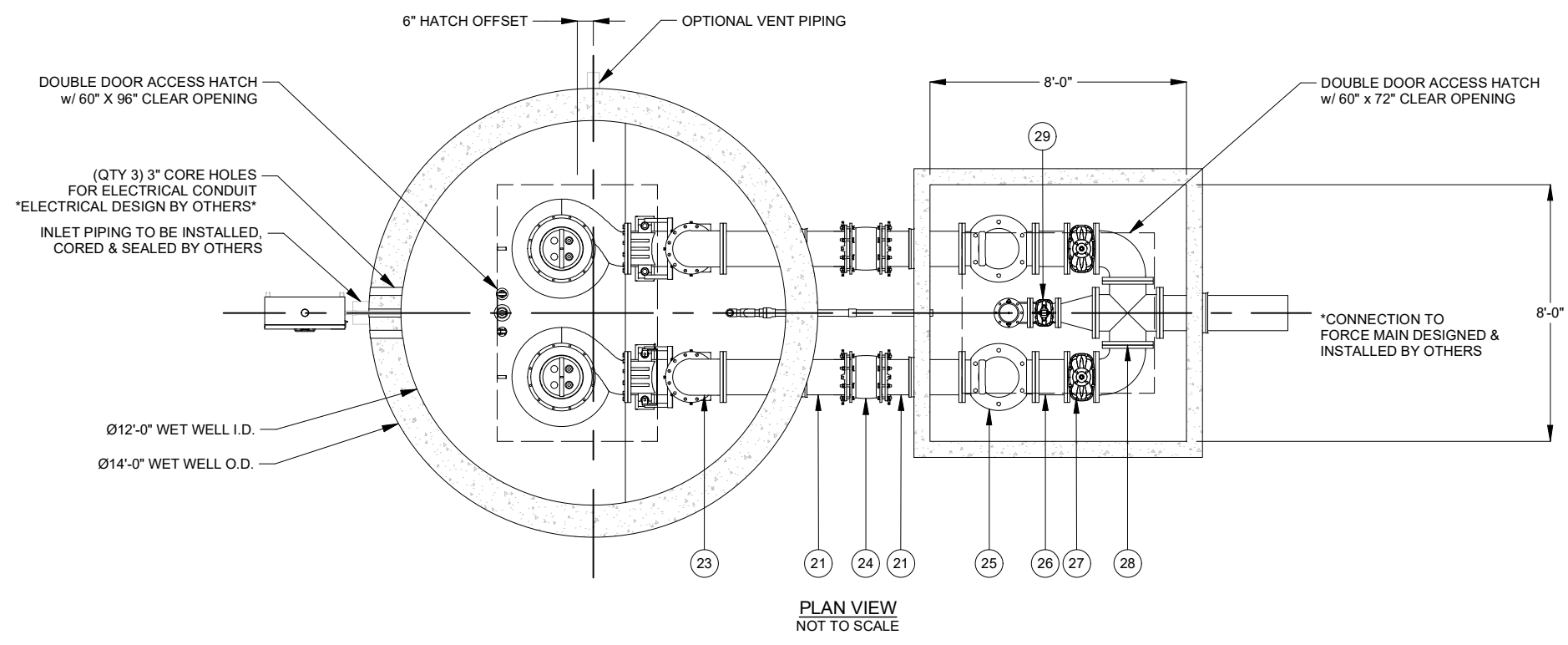
**DISCLAIMERS, INCLUDING BUT NOT LIMITED TO:**

- 1.) All elevations have been provided by others, and have not been verified by Jensen Precast. Contractor to verify all dimensions and elevations in field prior to installation.
- 2.) These layout drawings are intended to show overall system design only. All concrete component thicknesses, dimensions, and joint orientations may vary across Jensen Precast's manufacturing facilities. Contractor to confirm all thicknesses, dimensions, and joint orientations prior to installation.
- 3.) System design criteria has been provided to Jensen Precast. Others are responsible for verification that system meets intended application.
- 4.) Foundation, subgrade, and backfill to be designed by others.

**JENSEN** **PUMP STATIONS**  
**521 DUNN CIRCLE, SPARKS, NV 89431**  
**www.jensenwaterresources.com**  
**(855) 468-5600**

©2018 Jensen Precast - All rights reserved.  
All materials appearing as Jensen Precast documents and the like are proprietary work product and are protected under U.S. copyright and other laws.  
Unless in conjunction with business conducted with Jensen Precast, any use of Jensen Precast work product without express, written consent is prohibited, and recipient is prohibited from distributing any and all work product to non-approved third parties under penalty of civil action.

|              |                          |                                 |           |        |
|--------------|--------------------------|---------------------------------|-----------|--------|
| DESCRIPTION: |                          | <b>12144-DV SERIES STANDARD</b> |           | REV:   |
| TITLE SHEET  |                          |                                 |           | SHEET: |
| PART NUMBER: | 12144-DV Series Standard | DRAWN BY:                       | T. Handke | 1 of 2 |
| CREATED:     |                          | MODIFIED:                       | 8/31/2020 |        |



**DESIGN NOTES / DISCLAIMERS:**  
 1. CONTROL PANEL INSTALLATION, MOUNTING DESIGN & HARDWARE BY OTHERS.  
 2. FINAL CONTROL PANEL LOCATION TO BE DETERMINED ACCORDING TO PROJECT REQUIREMENTS. CONSULT ALL SUBMITTED PUMP AND LEVEL CONTROL CABLE LENGTHS WHEN DETERMINING THE CONTROL PANEL LOCATION.  
 3. ALL FOUNDATION, SUBGRADE, AND BACKFILL DESIGNED BY OTHERS.

| BILL OF MATERIALS |       |   |
|-------------------|-------|---|
| ITEM              | QTY   | DESCRIPTION   |
| 1                 | 1     | DUPLEX ALTERNATING CONTROL PANEL  |
| 2                 | 1     | 144IN DIA. JENSEN PRECAST CONCRETE MANHOLE BASE *HEIGHT VARIES*                 |
| 3                 | 2     | 144IN DIA. JENSEN PRECAST CONCRETE MANHOLE BARREL *HEIGHT VARIES*               |
| 4                 | 1     | 144IN DIA. JENSEN PRECAST CONCRETE MANHOLE FLAT TOP                             |
| 5                 | 2     | JENSEN PRECAST CONCRETE HATCH RISER   |
| 6                 | 1     | DOUBLE DOOR HATCH WITH A CLEAR OPENING OF 60IN X 96IN                           |
| 7                 | 1     | JENSEN PRECAST CONCRETE VAULT BASE 96IN x 96IN                                  |
| 8                 | 1     | JENSEN PRECAST CONCRETE VAULT FLAT TOP 96IN x 96IN                              |
| 9                 | 1     | DOUBLE DOOR HATCH WITH A CLEAR OPENING OF 60IN X 72IN                           |
| 10                | 2     | UPPER GUIDE RAIL BRACKET 12IN   |
| 11                | 1     | JMT FLOAT BRACKET 3-HOOK FORMED SS  |
| 12                | 18 LF | LF CHAIN 1/4IN 316SS  |
| 13                | 2     | OPTICAL FLOAT SWITCH w/ 100' CABLE  |
| 14                | 1     | PRESSURE TRANSDUCER w/ 100' CABLE   |
| 15                | 1     | ANCHOR 15LB PVC COATED  |
| 16                | 2     | SUBMERSIBLE PUMP 12IN   |
| 17                | 2     | AUTOCOUPLING ASSY 12IN  |
| 18                | 80 LF | LF PIPE 2-1/2IN SCH40 GUIDE RAIL 304SS  |
| 19                | 4     | PIPE 12IN FLG X FLG DUCTILE IRON SPOOL  |
| 20                | 2     | INTERMEDIATE GUIDE RAIL BRACKET 12IN  |
| 21                | 7     | PIPE 12IN FLG X PE DUCTILE IRON SPOOL *CUT TO LENGTH AS NEEDED*                 |
| 22                | 2     | RFCA 12IN W/ SS HARDWARE  |
| 23                | 4     | 90 DEG ELBOW 12IN DUCTILE IRON FLG  |
| 24                | 2     | MJ SLEEVE 12IN WITH SS BOLT AND MJ GASKET                                       |
| 25                | 2     | CHECK VALVE 12IN  |
| 26                | 2     | PIPE 12IN FLG X FLG DUCTILE IRON SPOOL *AT LEAST 6IN*                           |
| 27                | 2     | ISOLATION VALVE 12IN  |
| 28                | 1     | CROSS 12IN DUCTILE IRON   |
| 29                | 1     | CLEAN OUT w/ REDUCER AND 6IN 90 DEG ELBOW, ISOLATION VALVE, CAMLOCK AND DUSTCAP |
| 30                | 5     | FLEXIBLE PIPE CONNECTORS  |
| 31                | 5     | PIPE SUPPORTS   |
| 32                | 1     | 2IN DIA SCH40 PVC VAULT DRAIN w/ CHECK VALVE, TRAP & FITTINGS                   |

| PROJECT SPECIFIC INFORMATION     |            |                   |
|----------------------------------|------------|-------------------|
| FINISHED GRADE (Ft.)             |            |                   |
| RIM ELEV. (Ft.)                  |            |                   |
| INLET ELEV. (Ft.)                |            |                   |
| FORCE MAIN DISCHARGE ELEV. (Ft.) |            |                   |
| AVAILABLE POWER SUPPLY           | 120V [ ]   | 240V [ ] 480V [ ] |
| AVAILABLE POWER PHASE            | Single [ ] | Three [ ]         |

| SYSTEM CHARACTERISTICS   |                |  |
|--------------------------|----------------|--|
| APPLICATION              | SEWAGE [ ]     | STORM WATER [ ]  |
| DESIGN FLOW (gpm)        |                |  |
| TOTAL DYNAMIC HEAD (Ft.) |                |  |
| STATIC HEAD (Ft.)        |                |  |
| PUMP MOTOR (Std / XP)    | Standard [ ]   | XP/FM [ ]  |
| PUMP TYPE                | Non-Clog [ ]   | Grinder [ ] Chopper [ ] Vortex [ ]                             |
| PUMP RATED HP & CURRENT  |                |  |
| ACCESS HATCH LOAD LEVEL  | Pedestrian [ ] | Incidental H-20 [ ] Parking Lot H-20 [ ] Full Traffic H-20 [ ] |

| ADDITIONAL OPTIONS                    |     |     |
|---------------------------------------|-----|-----|
| OPTION                                | YES | NO  |
| CONTROL PANEL SS ENCLOSURE            | [ ] | [ ] |
| CONTROL PANEL AC UNIT                 | [ ] | [ ] |
| CONTROL PANEL REMOTE ALARM MONITORING | [ ] | [ ] |
| AIR RELEASE/VACUUM VALVE              | [ ] | [ ] |
| INTERIOR LINER                        | [ ] | [ ] |
| CONCRETE WATERPROOFING                | [ ] | [ ] |
| VENT PIPE                             | [ ] | [ ] |
| ODOR CONTROL VALVE                    | [ ] | [ ] |
| LIFTING CRANE                         | [ ] | [ ] |
| GENERATOR RECEPTACLE                  | [ ] | [ ] |

**DISCLAIMERS, INCLUDING BUT NOT LIMITED TO:**  
 1.) All elevations have been provided by others, and have not been verified by Jensen Precast. Contractor to verify all dimensions and elevations in field prior to installation.  
 2.) These layout drawings are intended to show overall system design only. All concrete component thicknesses, dimensions, and joint orientations may vary across Jensen Precast's manufacturing facilities. Contractor to confirm all thicknesses, dimensions, and joint orientations prior to installation.  
 3.) System design criteria has been provided to Jensen Precast. Others are responsible for verification that system meets intended application.  
 4.) Foundation, subgrade, and backfill to be designed by others.

**JENSEN** PUMP STATIONS  
 521 DUNN CIRCLE, SPARKS, NV 89431  
 www.jensenwaterresources.com  
 (855) 468-5600

©2018 Jensen Precast - All rights reserved.  
 All materials appearing as Jensen Precast documents and the like are proprietary work product and are protected under U.S. copyright and other laws.  
 Unless in conjunction with business conducted with Jensen Precast, any use of Jensen Precast work product without express, written consent is prohibited, and recipient is prohibited from distributing any and all work product to non-approved third parties under penalty of civil action.

DESCRIPTION: **12144-DV SERIES STANDARD**  
 MECHANICAL DETAIL  
 PART NUMBER: 12144-DV Series Standard  
 DRAWN BY: T. Handke  
 CREATED: [ ]  
 MODIFIED: 8/31/2020  
 SHEET: 2 OF 2

12144-DV Series Standard.dwg