

# JENSEN DEFLECTIVE SEPARATOR, MODEL JDS84-4248

## HYDRAULICS AND TREATMENT:

MAXIMUM TREATMENT FLOW RATE (MTFR)	≤ 2.83 - CFS
WATER QUALITY DESIGN STORM (WQDS)	XX.XX - CFS
RETURN FREQUENCY/PERIOD OF PEAK DESIGN CONVEYANCE FLOW	XXXX - YRS
SUGGESTED MAXIMUM INTERNAL BYPASS FLOW	≤ 14 - CFS

STORMWATER TREATMENT UNIT EMPLOYING THE CONTINUOUS DEFLECTIVE SEPARATION TREATMENT PROCESS TO PRODUCE A NON-BLOCKING SCREENING SYSTEM WITH SWIRL CONCENTRATION. THIS HYDRODYNAMIC SEPARATION TREATMENT IS EQUIPPED WITH AN INTERNAL BYPASS THAT PROVIDES COMPLETE BYPASS OF STORM DRAIN PIPELINE CONVEYANCE FLOW WITHOUT SCOUR OF CAPTURED GROSS SOLIDS.

## TREATMENT:

- THIS HYDRODYNAMIC SEPARATOR (HDS), IS A PROPRIETARY MANUFACTURED TREATMENT DEVICE (MTD), BEST MANAGEMENT PRACTICE (BMP), THAT ACHIEVES 50% TSS REMOVAL EFFICIENCY VERIFIED BY THE NEW JERSEY CORPORATION FOR ADVANCED TECHNOLOGY (NJCAT), AND CERTIFIED BY THE NEW JERSEY DEPARTMENT OF ENVIRONMENTAL PROTECTION (NJDEP).
- THIS 50% TSS REMOVAL EFFICIENCY IS ACHIEVED ON A PARTICLE SIZE DISTRIBUTION (PSD), HAVING A  $d_{50} \leq 62$ -MICRONS.
- PER THE NJDEP CERTIFICATION, THE MAXIMUM TREATMENT FLOW RATE (MTFR), GENERATES A HYDRAULIC SURFACE LOADING RATE OF 33-GPM/FT<sup>2</sup>.
- CERTIFIED FOR 100% CAPTURE FOR TRASH & DEBRIS BY CALIFORNIA STATE WATER RESOURCES CONTROL BOARD.
- JENSEN DEFLECTIVE SEPARATOR IS A NON-BLOCKING SCREENING UNIT.
- JENSEN DEFLECTIVE SEPARATOR DESIGNED TO PROCESS ENTIRE SQDF.
- CAPTURE OF OTHER WATER QUALITY CONSTITUENTS INCLUDE:
  - TOTAL SUSPENDED SOLIDS (TSS)
  - HEAVY METALS
  - OIL & GREASE
  - NUTRIENTS
  - FECAL COLIFORM

## DESIGN PARAMETERS:

- STANDARD CONFIGURATION IS SHOWN. ALTERNATE CONFIGURATIONS ARE READILY AVAILABLE. CONTACT JENSEN STORMWATER SYSTEMS FOR CUSTOM DESIGNS, [www.jensenengineeredsystems.com](http://www.jensenengineeredsystems.com).
- FOR COMPLETE DESIGN AND PRODUCT INFORMATION, CONTACT JENSEN STORMWATER SYSTEMS.
- FOUNDATION, SUBGRADE, AND BACKFILL TO BE DESIGNED BY OTHERS.
- GROUNDWATER ELEVATION IS ASSUMED TO BE BELOW THE BOTTOM OF PRECAST STRUCTURE. CONTACT JENSEN STORMWATER SYSTEMS FOR HIGH GROUNDWATER CONDITIONS.
- JENSEN STORMWATER SYSTEMS TO PROVIDE ALL MATERIALS AS SHOWN, UNLESS OTHERWISE NOTED.
- OUTLET INVERT ELEVATION TYPICALLY SET EQUAL TO INLET ELEVATION OR SET 1" LOWER THAN INLET.

## INSTALLATION NOTES:

- CONTRACTOR TO VERIFY ALL DIMENSIONS AND ELEVATIONS IN FIELD PRIOR TO INSTALLATION.
- PRECAST CONCRETE JOINTS TO BE SEALED USING BUTYL RUBBER COMPOUND SUPPLIED BY JENSEN PRECAST.
- CONTRACTOR TO GROUT ALL PIPE PENETRATIONS IN PRECAST CONCRETE OPENINGS IN FIELD AS NECESSARY.
- CONTRACTOR TO ADJUST ELEVATION OF FRAME AND COVER IN FIELD AS NECESSARY.

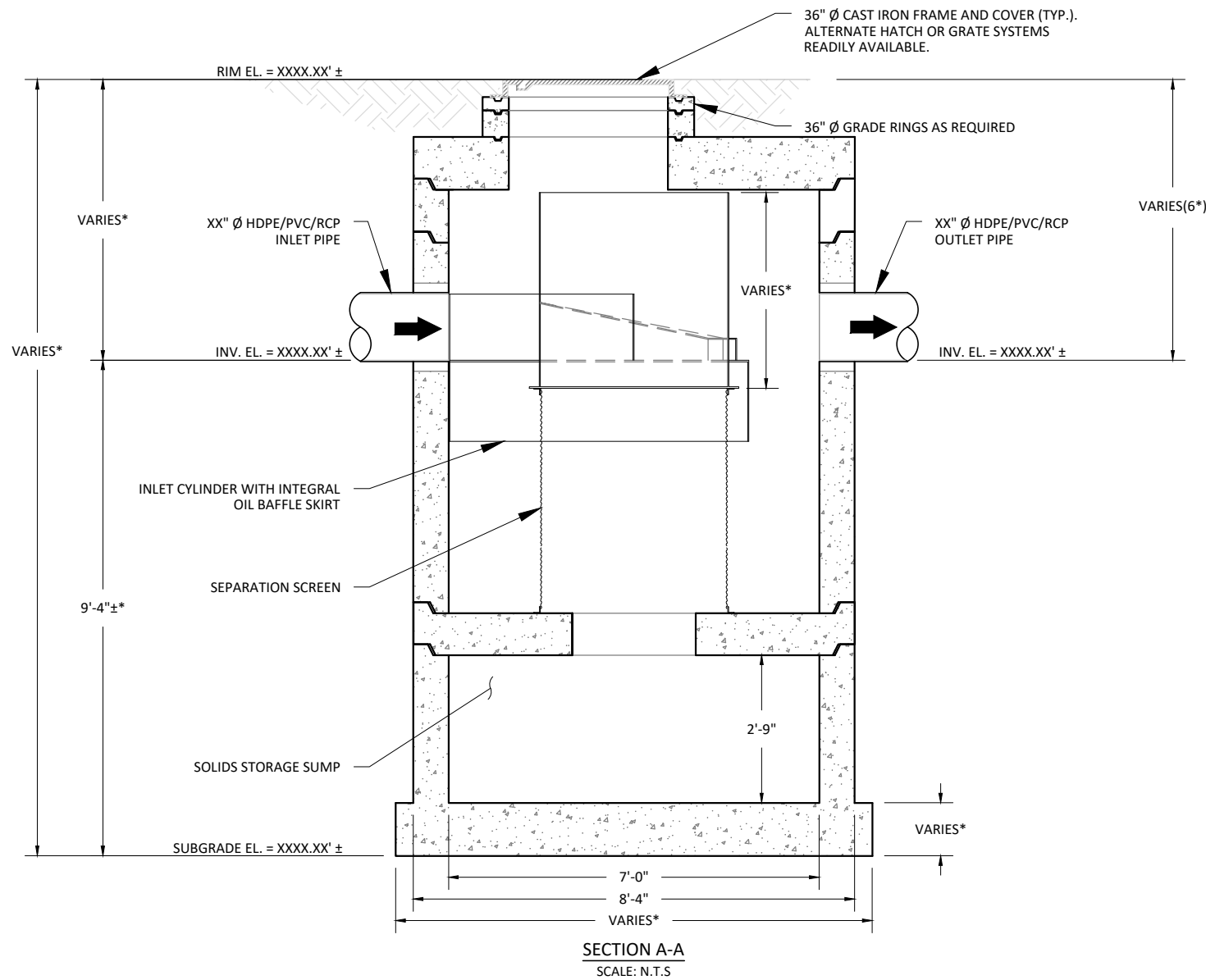
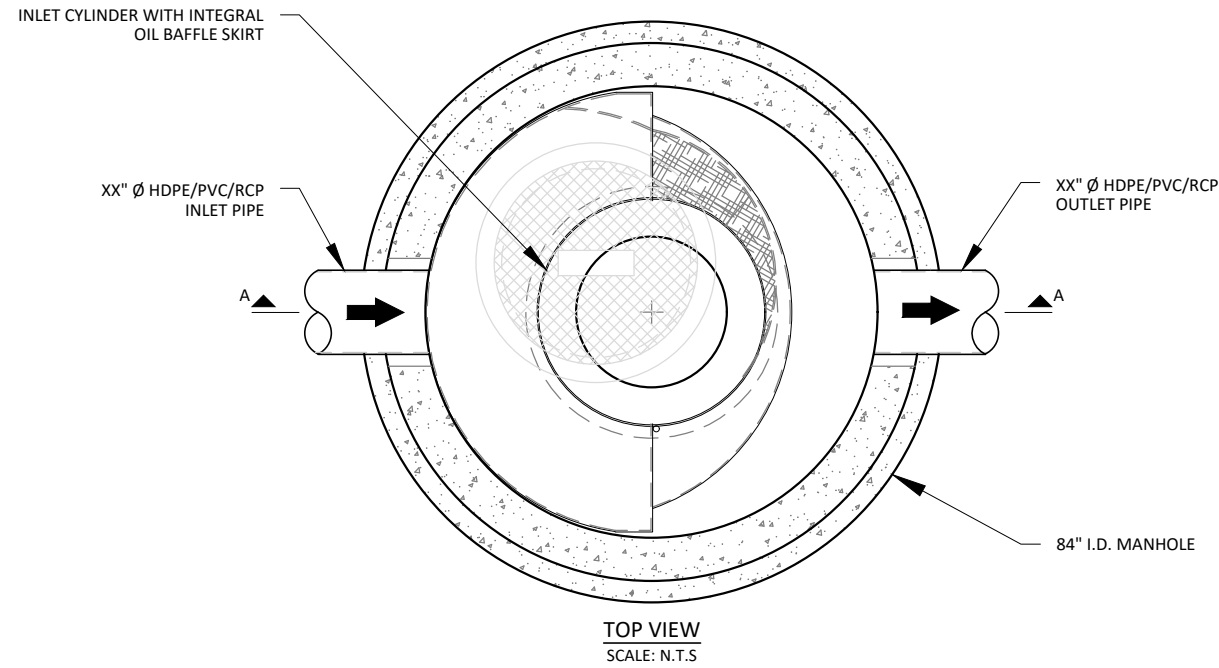
## MATERIALS:

- ALL DIMENSIONS ARE IN FOOT-INCH.
- PRECAST MATERIALS AND MANUFACTURING METHODS SHALL CONFORM TO ASTM C-478, C-857 AND LACSD S-A-206, WHEN IN LA COUNTY.
- CONCRETE SHALL HAVE A MINIMUM COMPRESSIVE STRENGTH  $F'c = 4,000$ -PSI AT 28-DAYS.
- THE PORTLAND CEMENT USED IN THE PRECAST SECTION SHALL MEET THE REQUIREMENTS OF TYPE II/V HIGH SULFATE RESISTANT CEMENT IN ACCORDANCE WITH ASTM CLASS M C-150.
- MANHOLE COMPONENTS CONFORM TO CURRENT SPECIFICATIONS, ASTM, C-478 AND AASHTO M199.
- FLAT TOPS AND BASE SLABS ARE DESIGNED FOR ASSHTO HS-20 WHEEL LOADING.
- ALL PRECAST CONCRETE COMPONENTS TO BE MANUFACTURED IN A NPCA CERTIFIED PLANT.

QTY.	COMPONENT DESCRIPTION	RESPONSIBLE PROVIDER	RESPONSIBLE INSTALLER
1	SEPARATION SCREEN AND INLET CYLINDER	JENSEN	CONTRACTOR
1	36" Ø CAST IRON FRAME AND COVER, H2O RATED	JENSEN	CONTRACTOR
X	3" TALL 36" Ø GRADE RINGS	JENSEN	CONTRACTOR
X	6" TALL 36" Ø GRADE RING	JENSEN	CONTRACTOR
1	XX" Ø HDPE/PVC/RCP INLET PIPE	CONTRACTOR	CONTRACTOR
1	XX" Ø HDPE/PVC/RCP OUTLET PIPE	CONTRACTOR	CONTRACTOR

## (\*) REGIONAL MANUFACTURING DIFFERENCE:

THESE ARE TEMPLATE SITE DESIGN DRAWINGS. JOINTS ORIENTATIONS, AND FINAL SEPARATION AND BASE SLAB THICKNESS VARY ACROSS JENSEN'S REGIONAL MANUFACTURING FACILITIES. CONFIRM FINAL JOINT ORIENTATION AND THICKNESS PER CONSTRUCTION SUBMITTAL DRAWINGS. ADJUST FINAL DIMENSIONS TO EXTERIOR INVERT AND SUBGRADE ELEVATION PER REGION DIFFERENCES.



<b>MODEL:</b> <b>JDS84-4248</b> <b>JENSEN DEFLECTIVE SEPARATOR</b>		<b>PROJECT:</b> PROJECT NAME PROJECT LOCATION		 521 DUNN CIRCLE, SPARKS, NV 89431-6312 (877) 649-0095 FAX (775) 440-2013 <a href="http://www.jensenengineeredsystems.com">www.jensenengineeredsystems.com</a>	
<b>HYDRODYNAMIC SEPARATOR (HDS), SWIRL CONCENTRATING, FULL CAPTURE, NON-BLOCKING SCREENING UNIT</b>	ORG. DWG. DATE XX/XX/XXXX	REV. DWG. DATE XX/XX/XXXX	SCALE: AS SHOWN	SHEET SIZE 11" X 17"	DRAWN BY X.XXXX
SHEET NUMBER JDS84-4248					

Copyright Information © 2016 Jensen Precast All Rights Reserved. All materials appearing as Jensen Precast documents and the like are propriety work product and are protected under U.S. copyright and other laws. Unless in conjunction with business conducted with Jensen Precast, any use of Jensen Precast work product without express, written consent is prohibited and recipient is prohibited from distributing any and all work product to non-approved third parties under penalty of civil action.