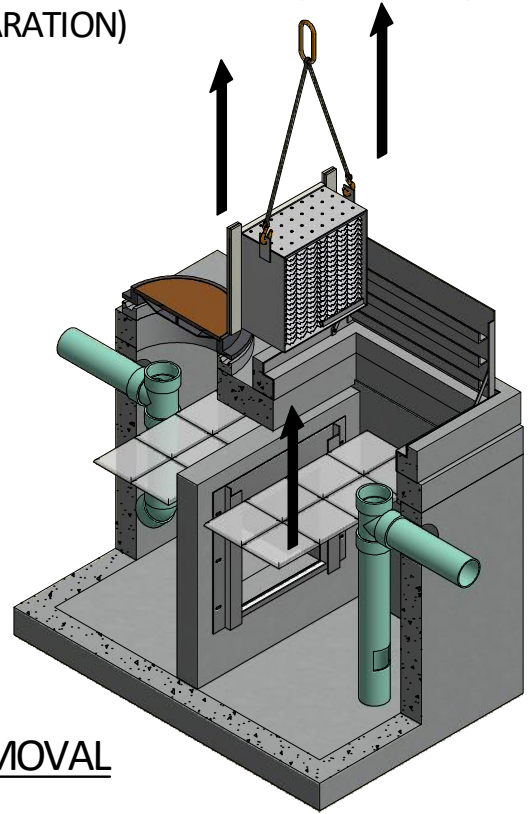
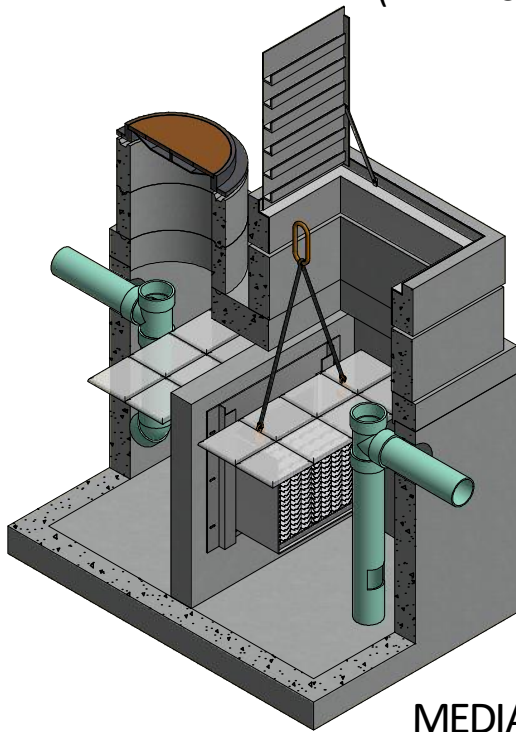


STORMVAULT COALESCING MEDIA-PACK SEPARATORS (SVCMS)

(ENHANCED GRAVITY OIL/WATER SEPARATION)



MEDIA-PACK FRAMEWORK REMOVAL

FEATURES

- An enhanced gravity Oil/Water (liquid/liquid) separation using highly Oleophilic Polypropylene Corrugated Coalescing Media-Packs
- Removes 80% or more of Sediments, Oils and Greases
- Removable Coalescing Framework for easy maintenance (lifting assembly provided with the unit)
- Pre-Installed internal components for quick and easy field installation
- Separate pre-sedimentation zone for capturing and storing coarse sediments
- Sediment and oil deposition zones separated from flow path to increase and sustain long term efficient separation and lifespan of Coalescing Media-Packs
- Customizable design to address project specific needs. Each unit designed by Professional Jensen Stormwater Systems Engineer
- Oil sorbent mats enables to capture >95% of free oil and grease reducing the level of maintenance
- Available in flowrates ranging from 20 gallons/minute to 670 gallons/minute and more

SIZING TABLE

SVCMS Model #	Treatment Flow		Vault Size (Internal Dimensions)			Clear Distance Between the Plates		Media-Pack Stack Dimensions			Total number of stacks	Total number of Corrugated Polypropylene Plates	Total Media-Pack Volume (ft ³)
								No of Stacks across		Height			
	(gpm)	(ft ³ /s)	(ft)	(ft)	(ft)	(mm)	(in)	Width	Length	(in)			
SVCMS-8-20	20	0.045	4.0	6.5	4.5	8	5/16	2	1	24	2	122	4.0
SVCMS-8-50	50	0.111	4.5	8.5	5.0	8	5/16	2	2	30	4	308	10.0
SVCMS-8-75	75	0.17	5.0	10.5	5.0	8	5/16	3	2	30	6	462	15.0
SVCMS-8-100	100	0.22	6.0	12.0	5.5	8	5/16	4	2	30	8	616	20.0
SVCMS-8-150	150	0.33	6.0	12.0	5.5	8	5/16	4	3	30	12	924	30.0
SVCMS-8-200	200	0.45	6.0	12.0	6.5	8	5/16	4	3	42	12	1,272	42.0
SVCMS-8-250	250	0.56	6.0	12.0	8.0	8	5/16	4	3	54	12	1,596	54.0
SVCMS-8-310	310	0.69	7.0	14.0	6.5	8	5/16	5	3	50	15	1,950	62.5
SVCMS-8-370	370	0.82	8.0	16.0	6.5	8	5/16	6	3	50	18	2,340	75.0
SVCMS-8-430	430	0.96	8.0	16.0	7.3	8	5/16	6	3	58	18	2,718	87.0
SVCMS-8-500	500	1.11	8.0	16.0	8.0	8	5/16	6	3	68	18	3,204	102.0
SVCMS-8-570	570	1.27	8.0	16.0	7.3	8	5/16	6	4	58	24	3,624	116.0
SVCMS-8-670	670	1.49	8.0	16.0	8.0	8	5/16	6	4	68	24	4,272	136.0

For more information, contact Jensen Stormwater Systems @ (855) 468-5600 or visit our website @ www.jensenengineeredsystems.com