

30" DIA. verizon PARKWAY M.H. COVER & NECK X 11" DEEP

NOTES:

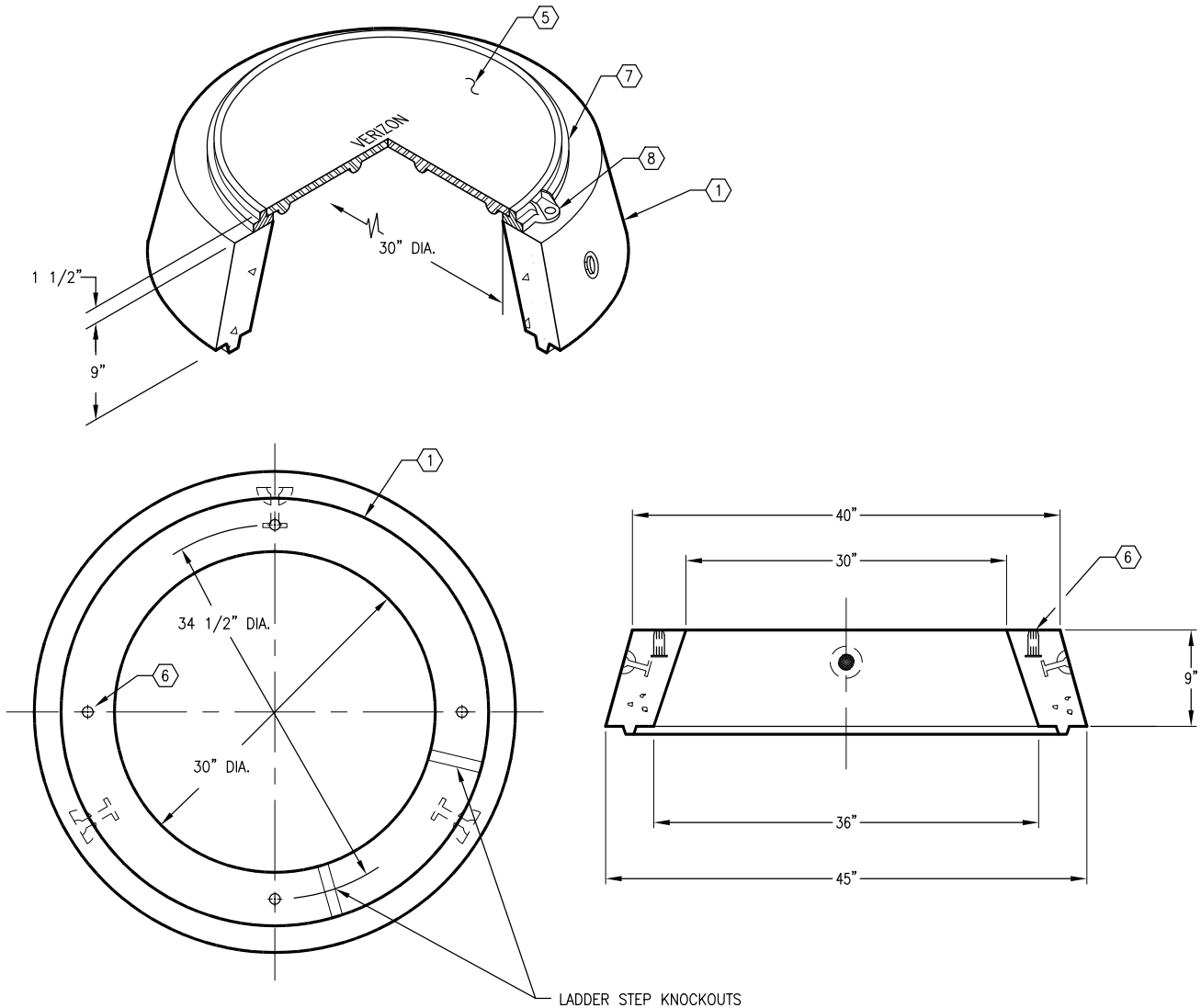
- CONCRETE DESIGNED IN ACCORDANCE WITH AASHTO HS 20-44 TRAFFIC BRIDGE LOADING USING 5,500 PSI COMPRESSIVE STRENGTH CONCRETE AND 60,000 PSI YIELD STRENGTH ASTM A-706 STEEL REINFORCING PER CALCS. #30212.
- ITEMS #2,3, & 4 NOT SHOWN IN ILLUSTRATION.
- APPROVED PER VERIZON SPECS.

1. MN36-N9, 9" CONE SECTION. WT. 430#.
2. MN36-R3, 3" GRADE RING. WT. 146#.
3. MN36-R6, 6" GRADE RING. WT. 300#.
4. MN36-R12, 12" GRADE RING. WT. 600#.
5. CAST IRON COVER A-1136, MARKED "VERIZON". WT. 120#.
6. 1/2" P-36-T INSERT (4) PLACES.
7. CAST IRON FRAME A-1136. SET (06-30-40) WT. 139#.
8. 1/2" x 5" ADJUSTABLE BOLT W/2 NUTS & WASHERS EACH, (4) REQ'D.

ORDERING INFORMATION:

K36-MN11-13P FOR ASSEMBLY INCLUDING TOP SECTION (ITEM #1), CAST IRON COVER (ITEM #5), AND CAST IRON FRAME (ITEM #7). ORDER EXTENSIONS (ITEM #2, 3 AND 4) AS REQ'D.

TOTAL WEIGHT OF ASSEMBLY AS SHOWN IS 689#.



AUTOCAD REL. 14

#	DATE	DESCRIPTION	BY

K36-MN11-13P
PER VERIZON SPECS. 03-01-02