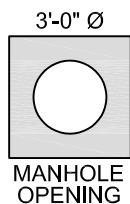
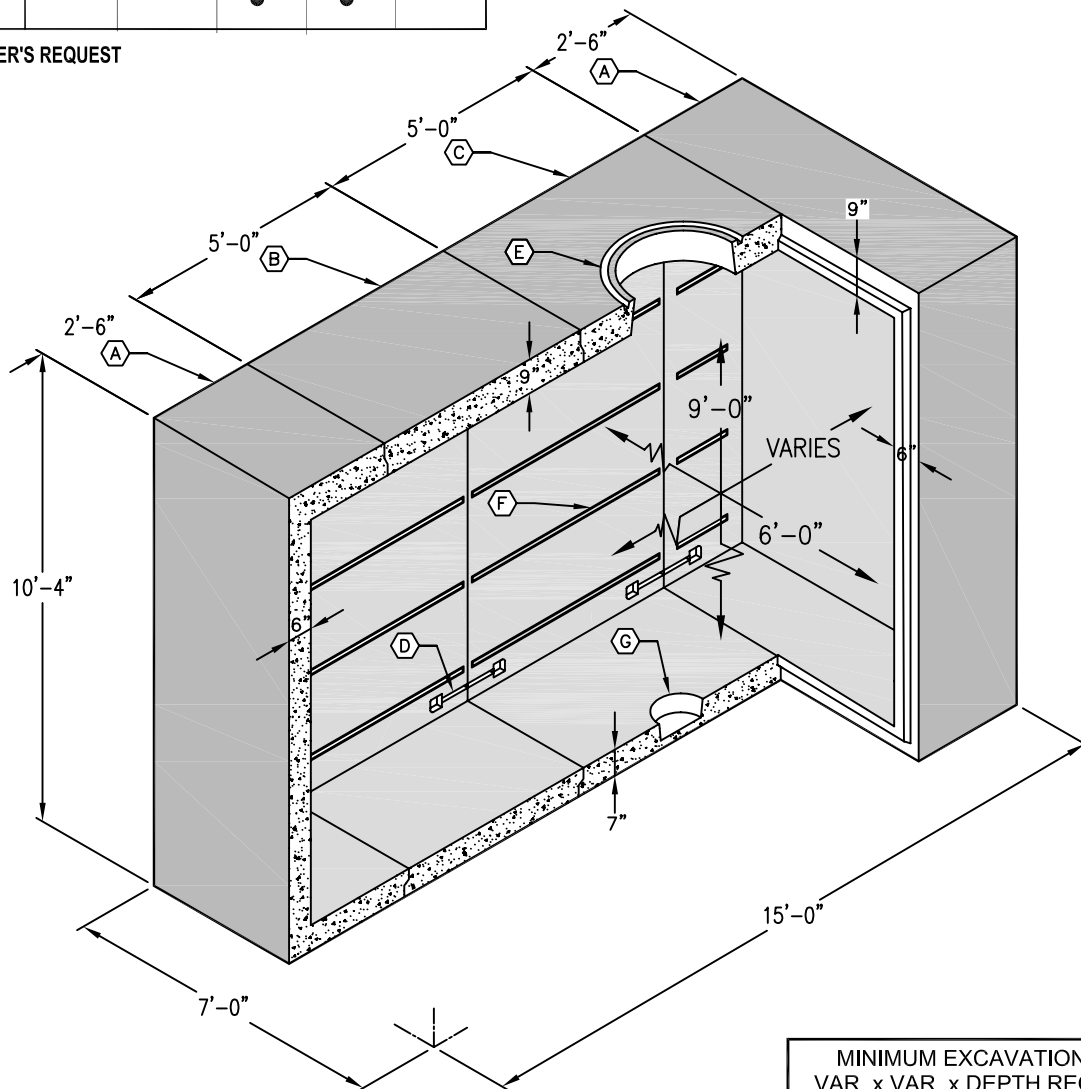


PART NO.	TUNNEL LENGTHS				
	9'-0"	14'-0"	19'-0"	24'-0"	29'-0"
TV69-END24	● ●	● ●	● ●	● ●	● ●
TV69-CENTER60	●	●	●	●	●
TV69-EXT60		●	●	● ●	△
TV69-EXT60 W/OPEN.			●	●	△

△ UPON CUSTOMER'S REQUEST



MINIMUM EXCAVATION SIZE:
VAR. x VAR. x DEPTH REQUIRED.

■ ILLUSTRATION IS TYPICAL ONLY OF GENERAL SERIES CONFIGURATION: FOR SPECIFIC CONFIGURATION, CALL JENSEN PRECAST.

- (A) END SECTION WT.= 11,000 Lbs.
- (B) INTERMEDIATE SECTION WT.= 13,750 Lbs.
- (C) EXTENSION SECTION W/ OPENING. WT.= 12,900 Lbs.
- (D) BOLT-UP CASTINGS
- (E) FOR COVERS: SEE COVER AND NECKING SECTION.
- (F) UNISTRUT
- (G) SUMP - VARIOUS SIZES AVAILABLE

■ DESIGN FOR H-20-44 BRIDGE LOADING.

■ ASSEMBLY TO BE PLACED ON A 6" BASE OF CRUSHER RUN FOR EASE OF INSTALLATION AND EVEN LOAD DISTRIBUTION.

■ 14'-0" TUNNEL LENGTH SHOWN, OTHER LENGTHS ARE AVAILABLE.

6'-0" WIDE I.D. x 9'-0" TALL I.D. TUNNEL MANHOLE		
TV69 SERIES		
ORG. DWG. DATE 11-15-00	REV. DWG. DATE	