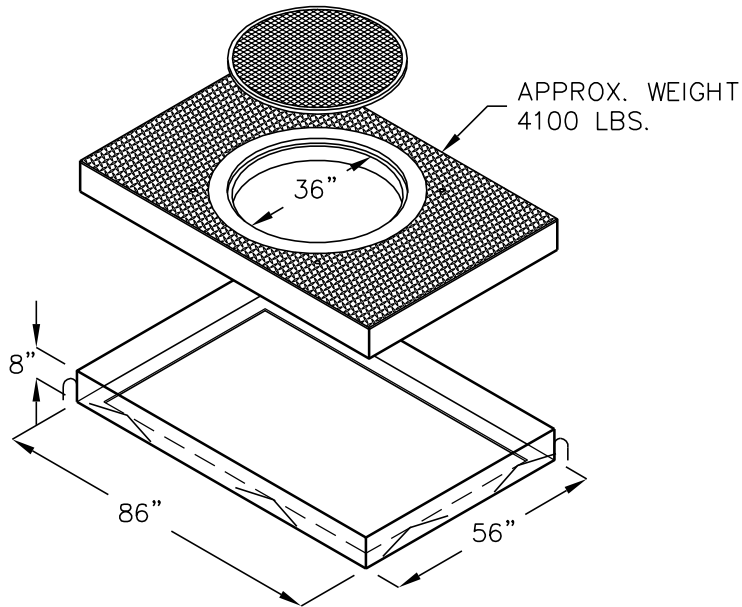


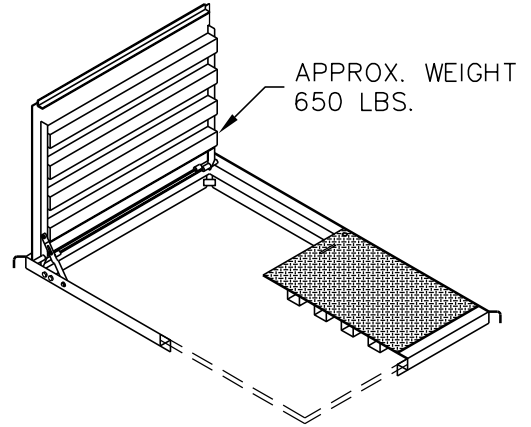
MODEL 557-U

FULL AND INCIDENTAL TRAFFIC COVER OPTIONS

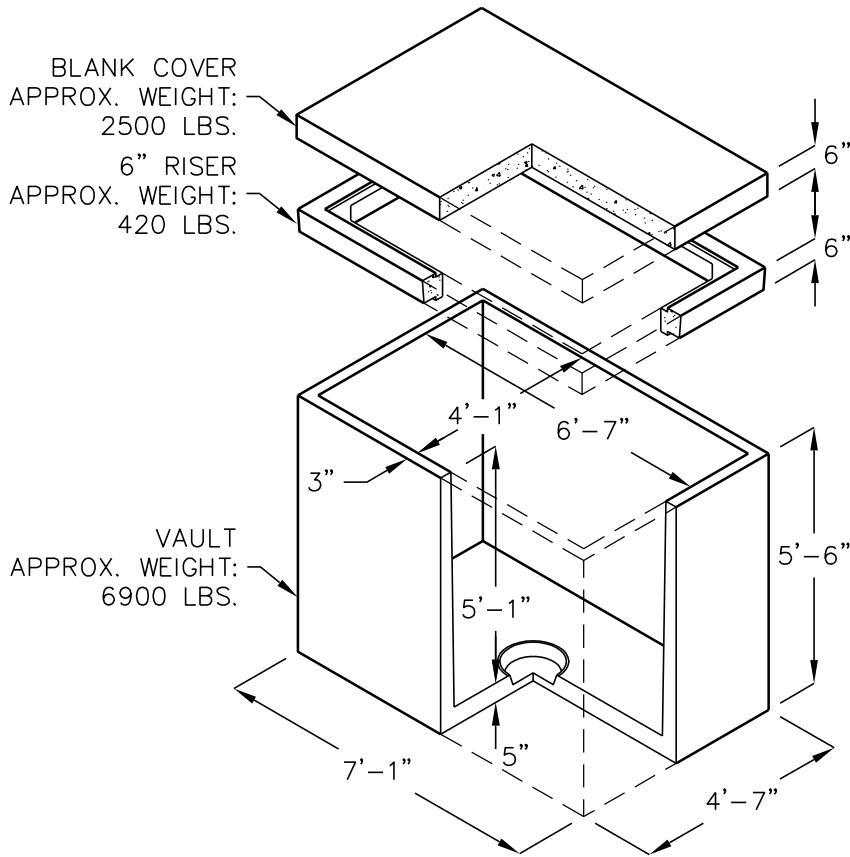
4'-0" X 6'-6" X 5'-0" I.D.
(NOMINAL DIMENSIONS)



4878HD36 COVER
H-20 TRAFFIC



4878AT COVER
INCIDENTAL H-20 TRAFFIC



FOR COMPLETE DESIGN AND PRODUCT INFORMATION,
CONTACT JENSEN PRECAST.