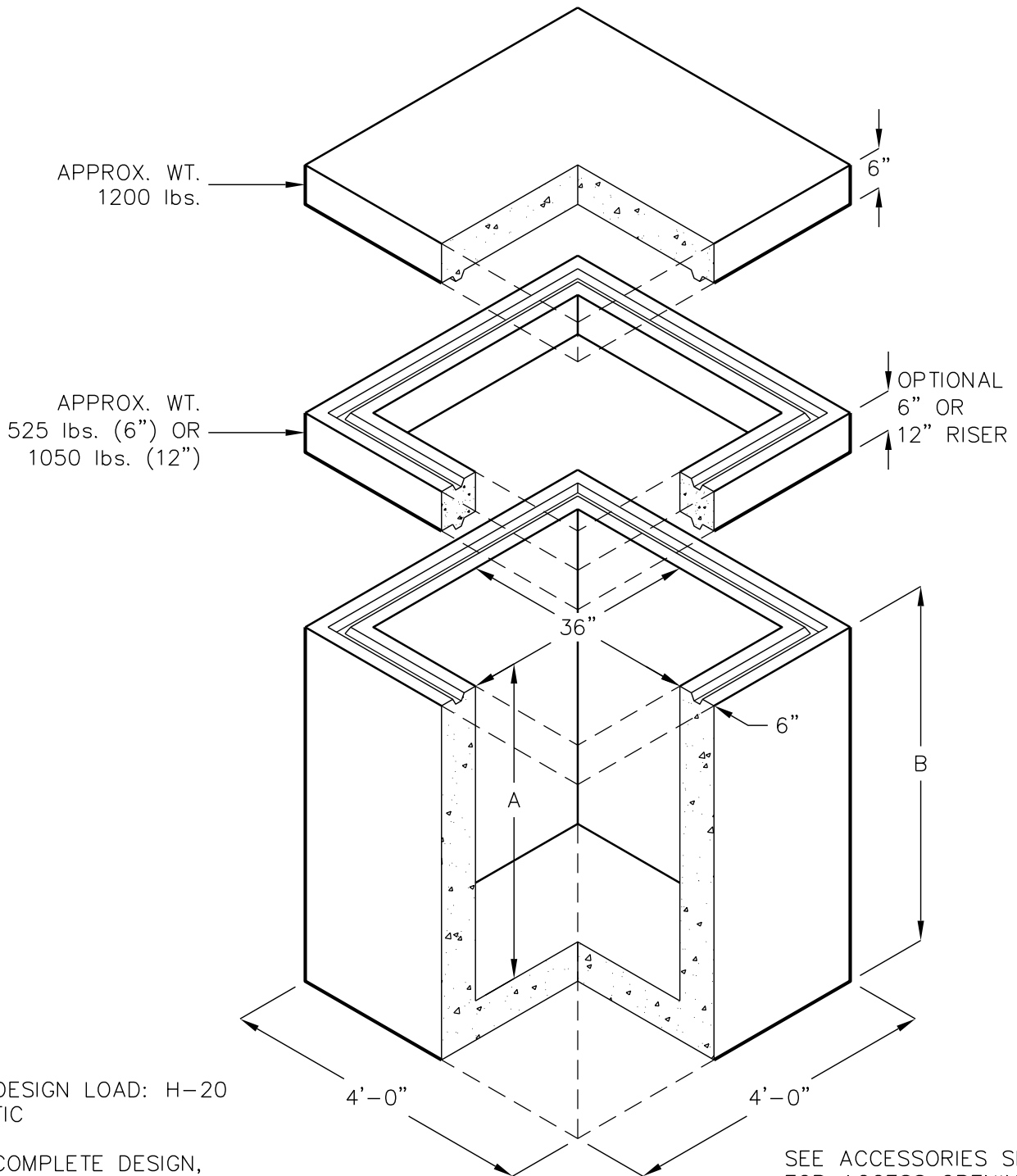


MODEL 3636-U

36" INSIDE WIDTH x 36" INSIDE LENGTH



FOR COMPLETE DESIGN, AND PRODUCT INFORMATION, CONTACT JENSEN PRECAST.

SEE ACCESSORIES SECTION FOR ACCESS OPENINGS AND HARDWARE APPLICATIONS.

MODEL	A	B	INSIDE VOLUME		APPROX. WT.
3636U-36	3'-0"	3'-6"	27 CU. FT.	200 GAL.	4350 LBS.
3636U-48	4'-0"	4'-6"	36 CU. FT.	266 GAL.	5400 LBS.