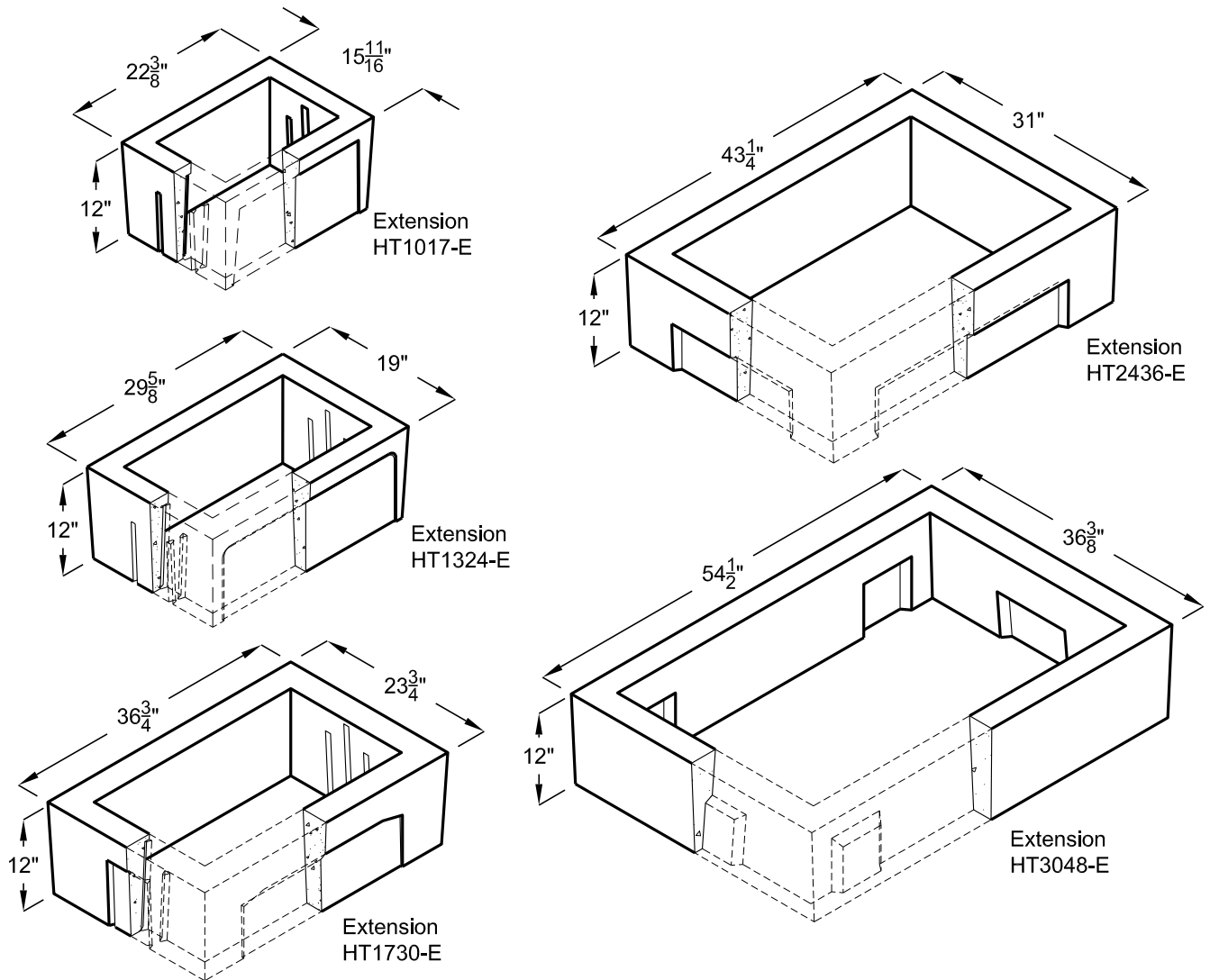


HT TRAFFIC BOX EXTENSIONS



PART NO.	PRODUCT	DESCRIPTION	APPROX. WEIGHT	QTY. PER PALLET
HT1017-E	EXTENSION	10"x17"x12" Reinforced Concrete Extension	126	20
HT1324-E	EXTENSION	13"x24"x12" Reinforced Concrete Extension	174	12
HT1730-E	EXTENSION	17"x30"x12" Reinforced Concrete Extension	288	6
HT2436-E	EXTENSION	24"x36"x12" Reinforced Concrete Extension	401	3
HT3048-E	EXTENSION	30"x48"x12" Reinforced Concrete Extension	482	3

Design load: Traffic rated when installed per Caltrans ES-8B

JENSEN®, JENSEN PRECAST®, TRAXPLATE®, and LOCKLID™ are trademarks owned by Jensen Enterprises. All other trademarks are the property of their respective owners. Jensen Precast reserves the right to make changes to product design and/or dimensions without notice. Please contact Jensen Precast whenever necessary for confirmation or advice on product design.

6/5/2014 HT EXTENSIONS_A.DWG © 2014 JENSEN PRECAST

JENSEN
PRECAST

JENSENPRECAST.COM