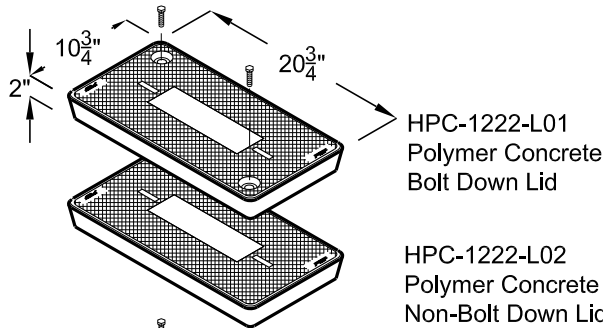


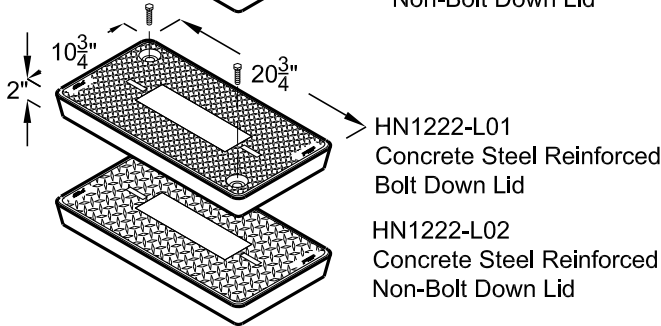
# HN1222 ELECTRICAL BOX

Compare to:  
Christy® N16  
Brooks Products® #5



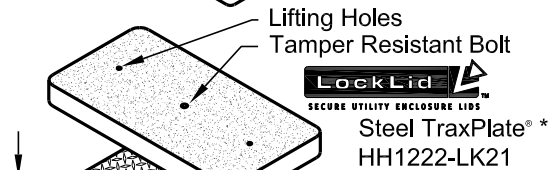
HPC-1222-L01  
Polymer Concrete  
Bolt Down Lid

HPC-1222-L02  
Polymer Concrete  
Non-Bolt Down Lid



HN1222-L01  
Concrete Steel Reinforced  
Bolt Down Lid

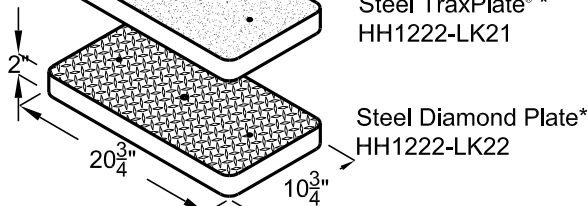
HN1222-L02  
Concrete Steel Reinforced  
Non-Bolt Down Lid



Lifting Holes  
Tamper Resistant Bolt

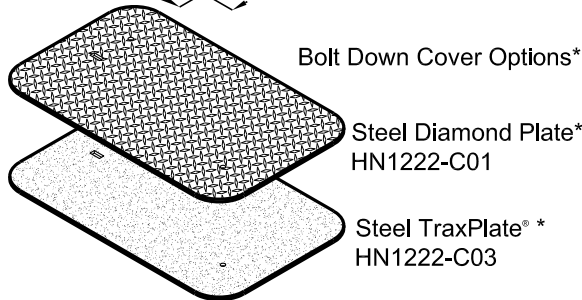


Steel TraxPlate® \*  
HH1222-LK21



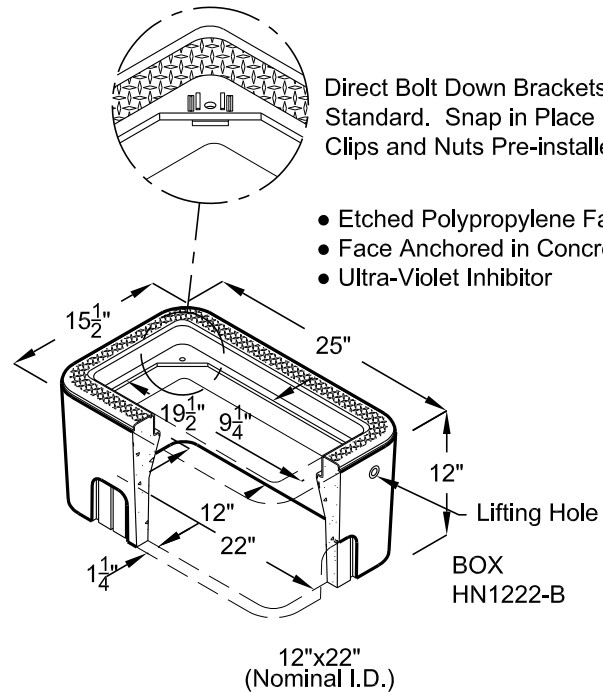
Steel Diamond Plate\*  
HH1222-LK22

Bolt Down Cover Options\*\*



Steel Diamond Plate\*  
HN1222-C01

Steel TraxPlate® \*  
HN1222-C03



Direct Bolt Down Brackets  
Standard. Snap in Place  
Clips and Nuts Pre-installed.

- Etched Polypropylene Face
- Face Anchored in Concrete
- Ultra-Violet Inhibitor

BOX  
HN1222-B

12"x22"  
(Nominal I.D.)

PART NO.	PRODUCT	DESCRIPTION	APPROX. WEIGHT	QTY. PER PALLET
HN1222-B	BOX	12"x22"x12" Reinforced Concrete Non-Traffic Box	125	20
HN1222-E	EXTENSION	12"x22"x12" Reinforced Concrete Extension	125	20
HN1222-C01	COVER	Steel Diamond Plate Bolt Down Cover	32	
HN1222-C03	COVER	Steel Traxplate® Slip Resistant Bolt Down Cover	32	
HN1222-C05	COVER	Aluminum Traxplate® Slip Resistant Bolt Down Cover	20	
HN1222-L01	LID	Concrete Steel Reinforced Bolt Down Lid	34	
HN1222-L02	LID	Concrete Steel Reinforced Non-Bolt Down Lid	34	
HH1222-LK21	LID	LockLid™ K-Series Steel TraxPlate® Slip Resistant Non-Traffic *** (Order keys and Lifting Picks separately)	36	
HH1222-LK23	LID	LockLid™ K-Series Aluminum TraxPlate® Slip Resistant Non-Traffic*** (Order keys and Lifting Picks separately)	28	
HPC1222-L01	LID	Polymer Concrete Bolt Down lid	30	
HPC1222-L02	LID	Polymer Concrete Non-Bolt Down lid	30	

Bolts sold separately for bolt down lids and covers. See hardware sheet for options.

Galvanizing available on all steel covers and lids.

\* Also available in aluminum

\*\* Also available in non-bolt down

\*\*\* Also available in diamond plate

JENSEN®, JENSEN PRECAST®, TRAXPLATE®, and LOCKLID™ are trademarks owned by Jensen Enterprises. All other trademarks are the property of their respective owners.

Jensen Precast reserves the right to make changes to product design and/or dimensions without notice.

Please contact Jensen Precast whenever necessary for confirmation or advice on product design.

**JENSEN**®  
PRECAST EST. 1968