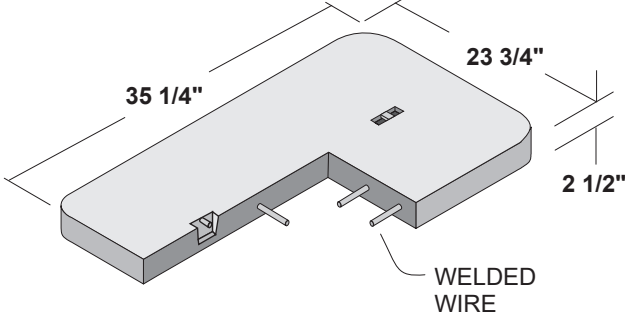


NOTES:
**BRASS SWING BOLTS INCLUDED FOR ALL
 BOLT DOWN COVERS**

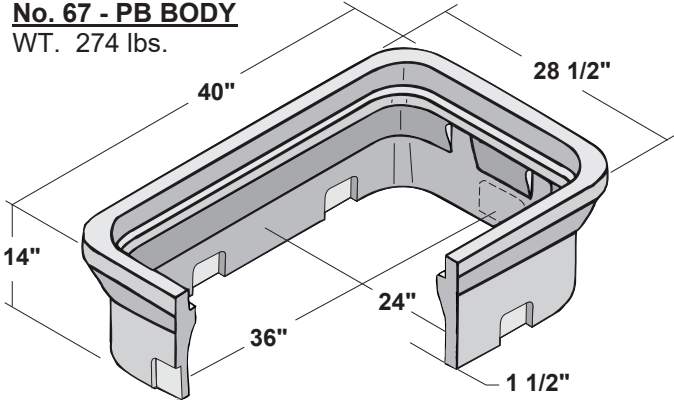
**No. 67 - PB CONCRETE COVER
 NON-BOLT DOWN**

WT. 156 lbs.



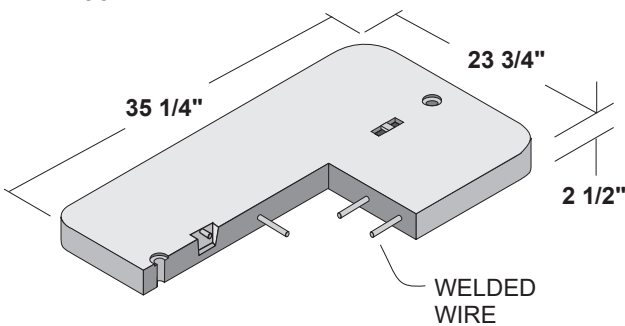
No. 67 - PB BODY

WT. 274 lbs.



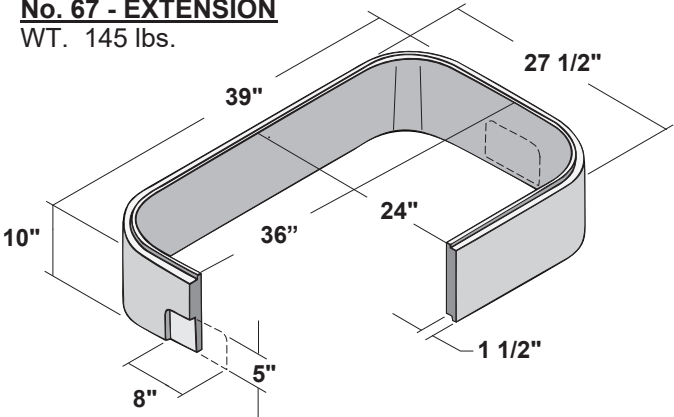
**No. 67 - PB CONCRETE COVER
 BOLT DOWN**

WT. 156 lbs.



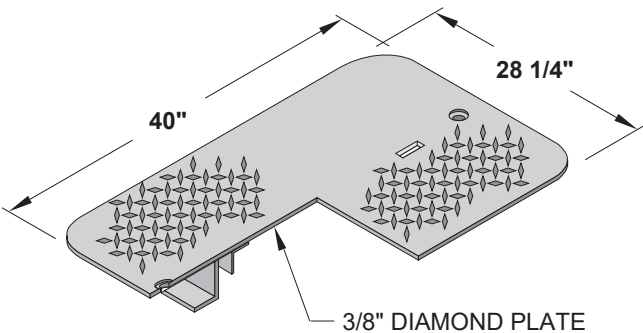
No. 67 - EXTENSION

WT. 145 lbs.



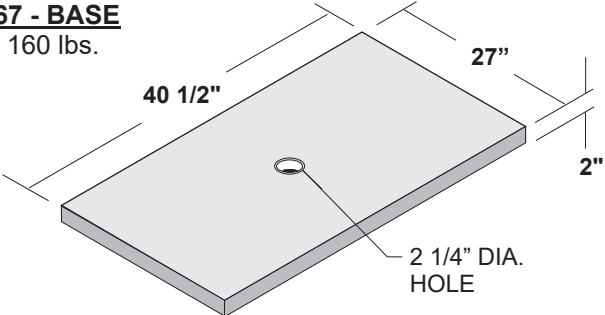
**No. 67 - PB STEEL COVER
 (SUPERIMPOSED) BOLT DOWN**

WT. 115 lbs.




No. 67 - BASE

WT. 160 lbs.



5
-
0
8

24" x 36" PULL BOX		
ORG. DWG. DATE 04-26-95	REV. DWG. DATE 02-14-20	
BROOKS 67PB		