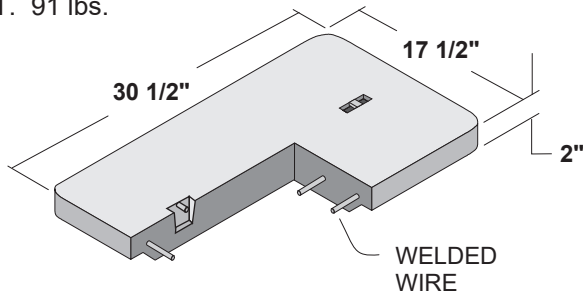


NOTES:
**BRASS SWING BOLTS INCLUDED FOR ALL
 BOLT DOWN COVERS**

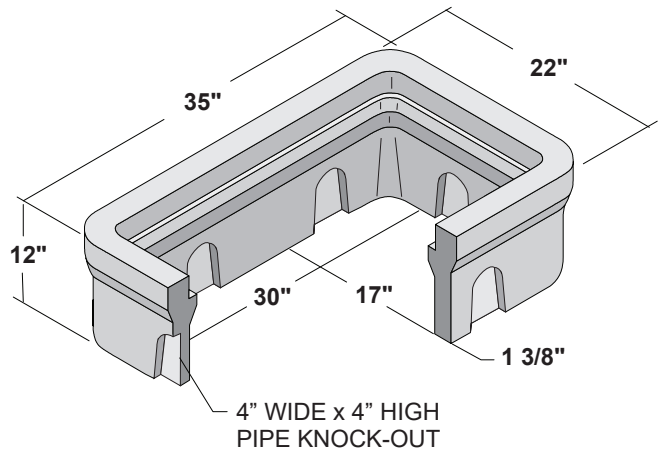
**No. 66 - PB CONCRETE COVER
 NON-BOLT DOWN**

WT. 91 lbs.



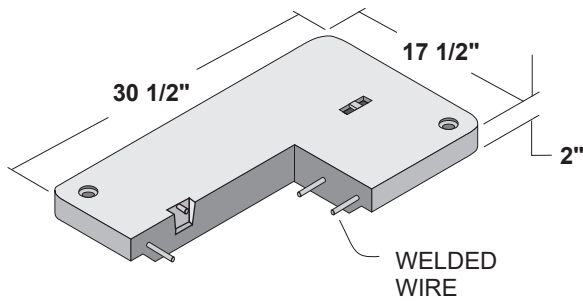
No. 66 - PB BODY

WT. 177 lbs.



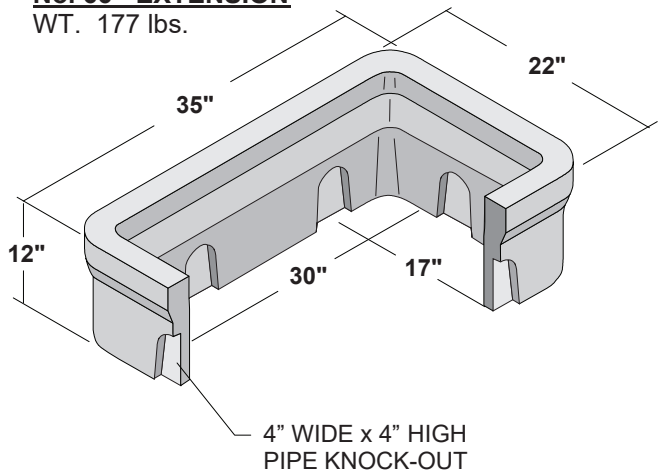
**No. 66 - PB CONCRETE COVER
 BOLT DOWN**

WT. 91 lbs.



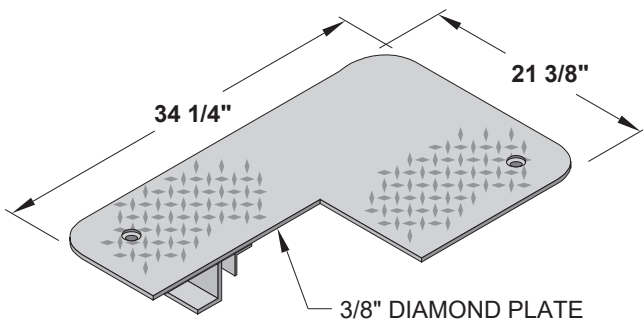
No. 66 - EXTENSION

WT. 177 lbs.



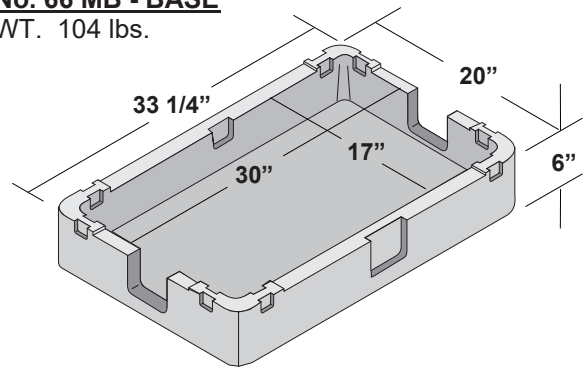
**No. 66 - PB STEEL COVER
 (SUPERIMPOSED) BOLT DOWN**

WT. 80 lbs.



No. 66 MB - BASE

WT. 104 lbs.



5
-
0
7

**17" x 30" PULL BOX
 (STATE #6 SPEC.)**

JENSEN
 PRECAST EST. 1968

BROOKS 66PB

ORG. DWG. DATE
 04-26-95

REV. DWG. DATE
 02-14-20