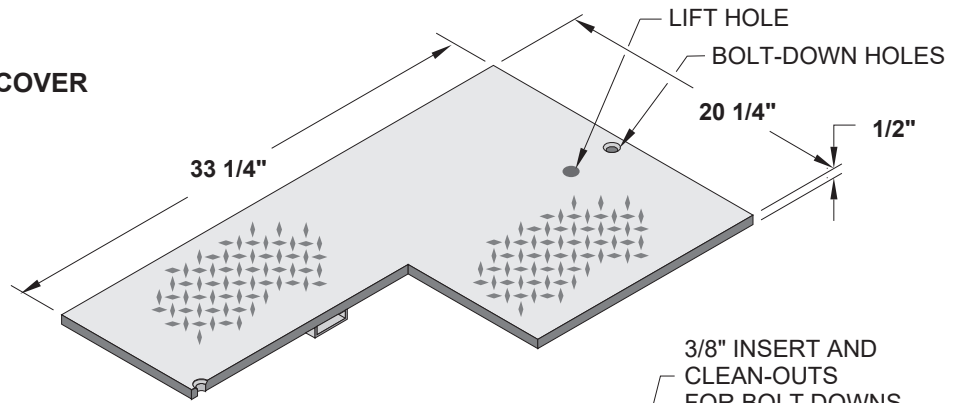
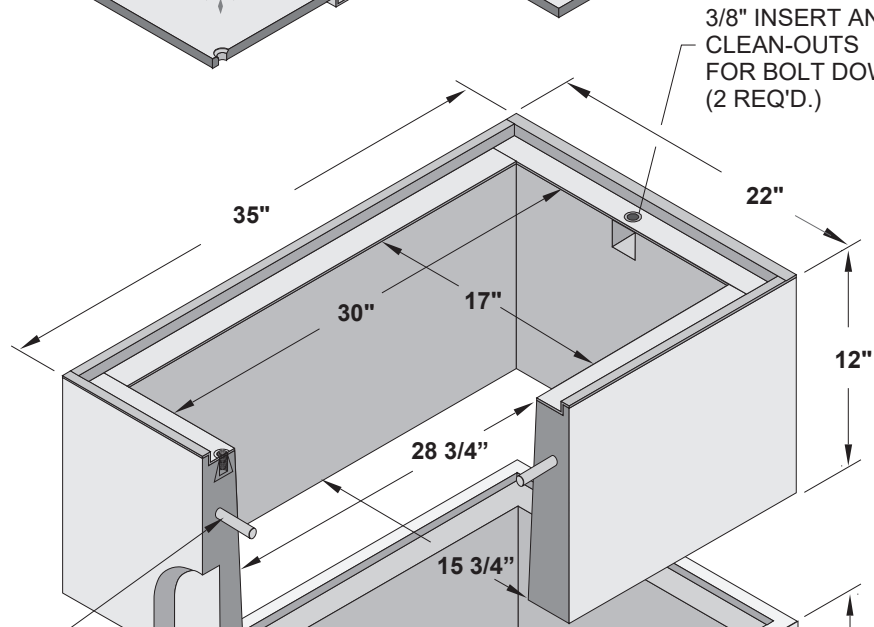


No. 6-T PB STEEL TRAFFIC COVER
BOLT DOWN
 WT. 104 lbs.

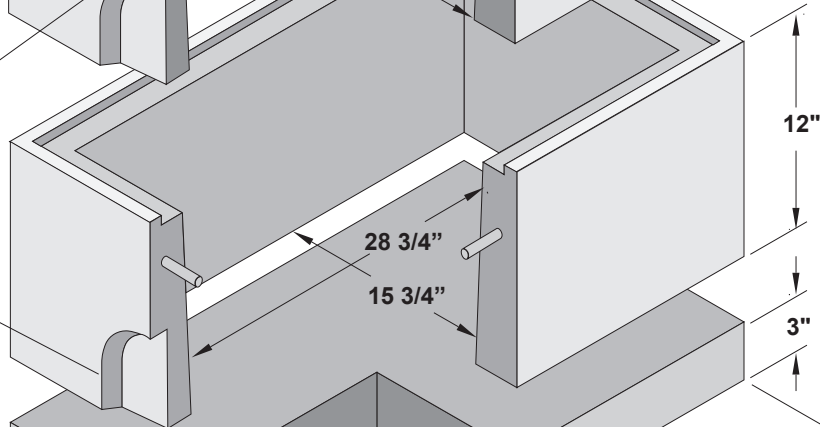


No. 6-T PB - BODY
 WT. 276 lbs.



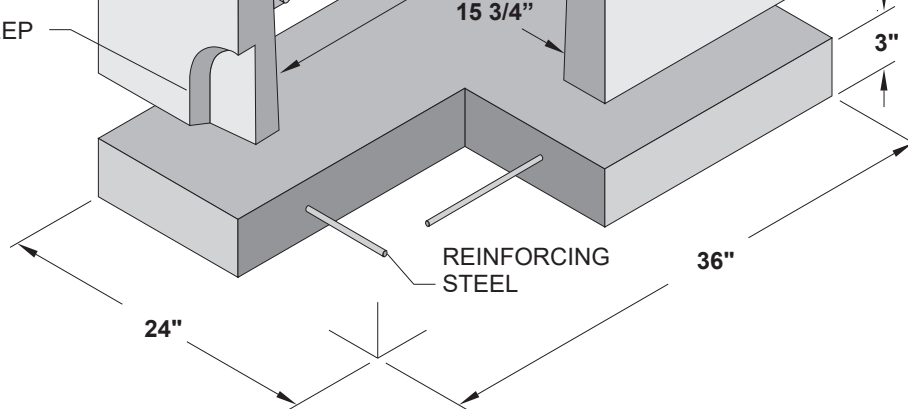
REINFORCING STEEL

No. 6-T PB - EXTENSION
 WT. 273 lbs.



5" x 5 3/4" K.O. x 1 1/2" DEEP

No. 6-T PB - BASE
 WT. 207 lbs.



17" x 30"
TRAFFIC PULL BOX
 (STATE SPEC. 6-T)

JENSEN
 PRECAST EST. 1968

ORG. DWG. DATE 03-29-95
 REV. DWG. DATE 02-14-20

BROOKS 6-T PB