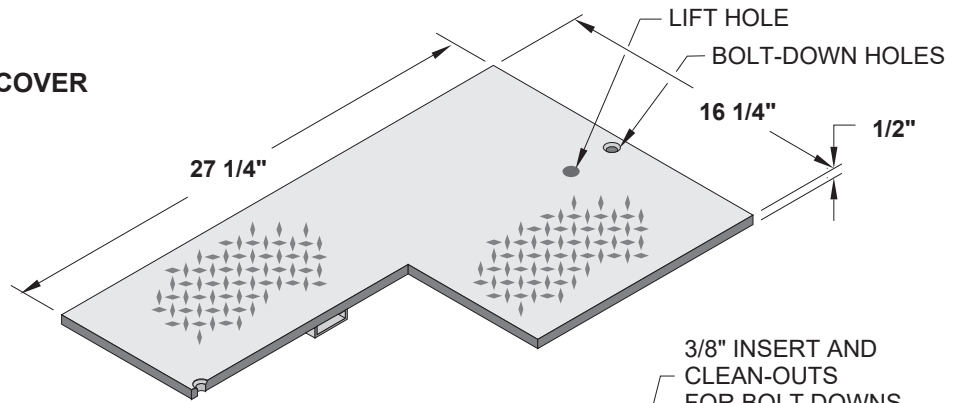
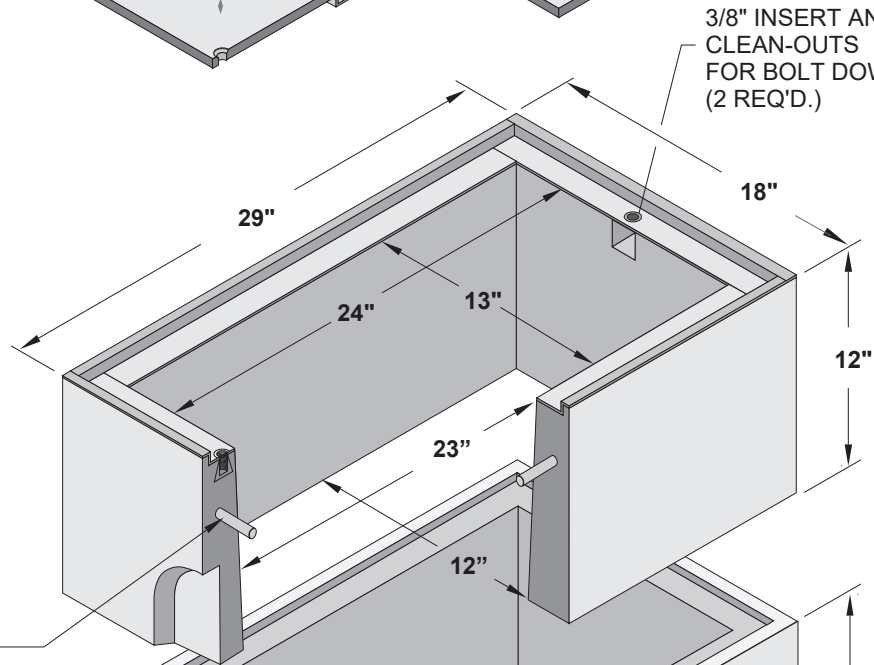


No. 5-T PB STEEL TRAFFIC COVER
BOLT DOWN
 WT. 66 lbs.

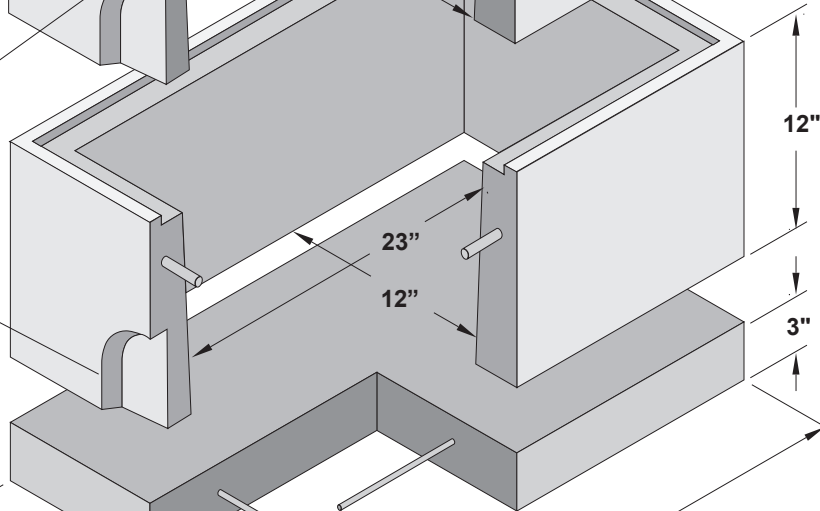


No. 5-T PB - BODY
 WT. 209 lbs.

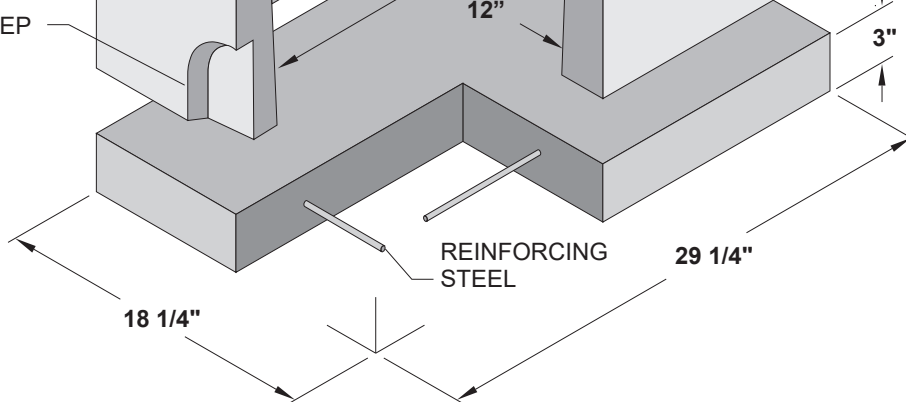


No. 5-T PB - EXTENSION
 WT. 206 lbs.


5" x 5 3/4" K.O. x 1 1/2" DEEP



No. 5-T PB - BASE
 WT. 130 lbs.



5
-
1
0

13" x 24" TRAFFIC PULL BOX (STATE SPEC. 5-T)		 <small>EST. 1968</small>
ORG. DWG. DATE 03-29-95	REV. DWG. DATE 02-14-20	
BROOKS 5-T PB		