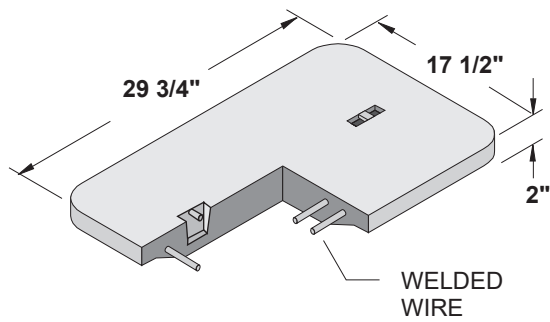
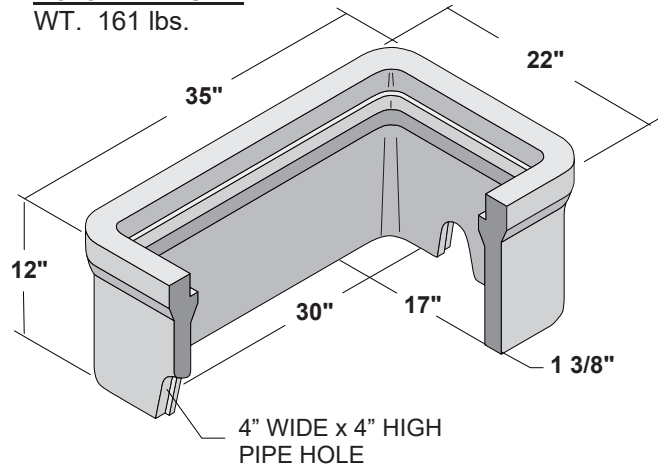


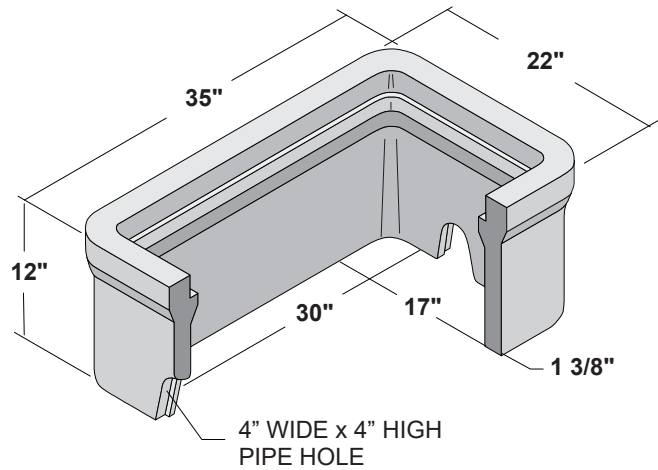
**No. 3 - PB CONCRETE COVER
NON-BOLT DOWN**
WT. 110 lbs.



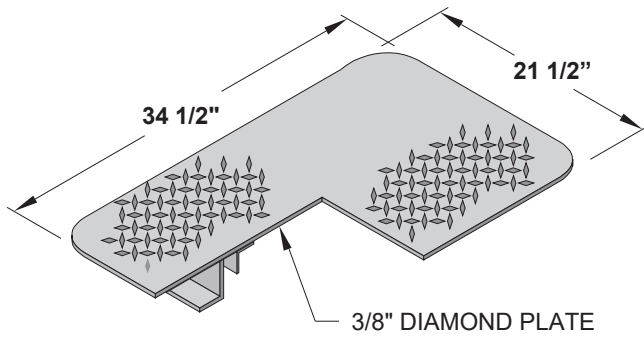
No. 3 - PB BODY
WT. 161 lbs.



No. 3 - PB EXTENSION (66 EXTENSION)
WT. 177 lbs.



**No. 3 - PB STEEL COVER
(SUPERIMPOSED) NON-BOLT DOWN**
WT. 80 lbs.



5
-
0
4

17" x 30" PULL BOX

JENSEN
PRECAST EST. 1968

ORG. DWG. DATE
11-22-99

REV. DWG. DATE
02-14-20

BROOKS 3PB