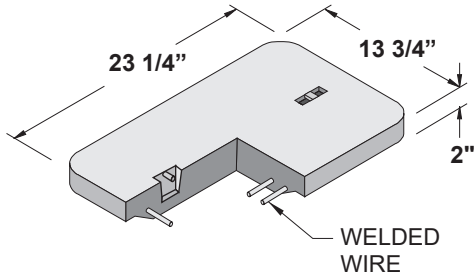


NOTES:
**BRASS SWING BOLTS INCLUDED FOR ALL
 BOLT DOWN COVERS**

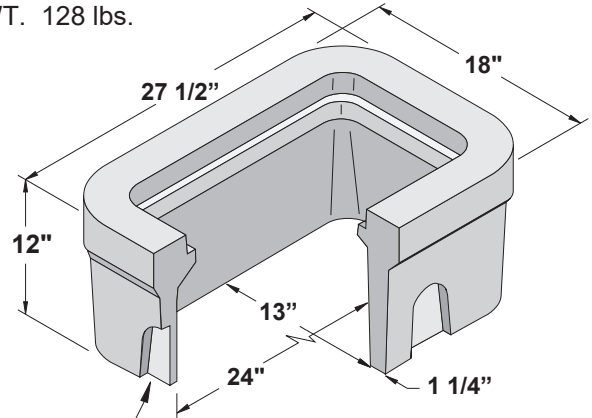
**No. 38 - PB CONCRETE COVER
 NON-BOLT DOWN**

WT. 57 lbs.



No. 38 - PB BODY

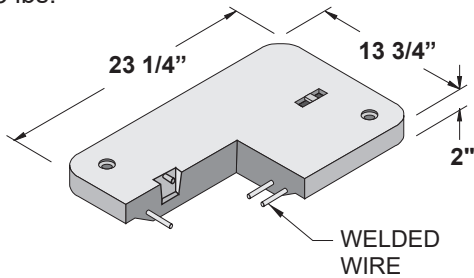
WT. 128 lbs.



4" WIDE x
 4 1/4" HIGH
 PIPE HOLE

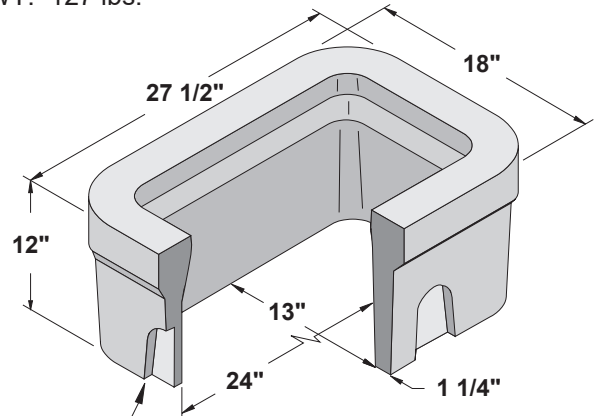
**No. 38 - PB CONCRETE COVER
 BOLT DOWN**

WT. 53 lbs.



No. 38 - EXTENSION

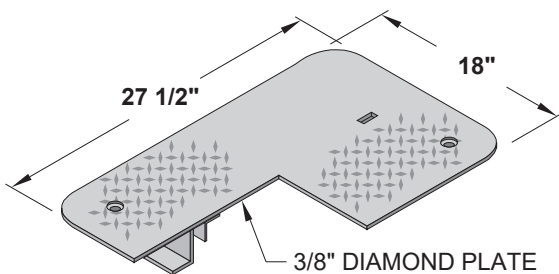
WT. 127 lbs.



4" WIDE x
 4 1/4" HIGH
 PIPE HOLE

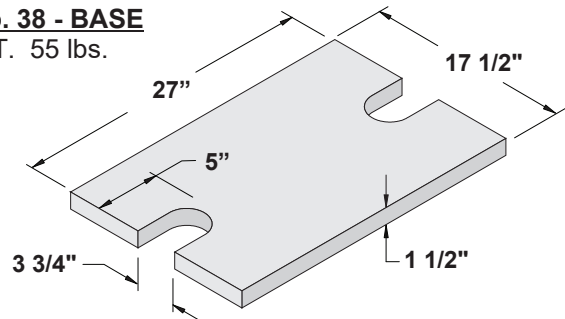
**No. 38-PB STEEL COVER
 (SUPERIMPOSED) BOLT DOWN**

WT. 36 lbs.



No. 38 - BASE

WT. 55 lbs.



5
 -
 0
 6

13" x 24" PULL BOX
 (STATE #5 SPEC)



ORG. DWG. DATE
 04-26-95

REV. DWG. DATE
 02-14-20

BROOKS 38PB