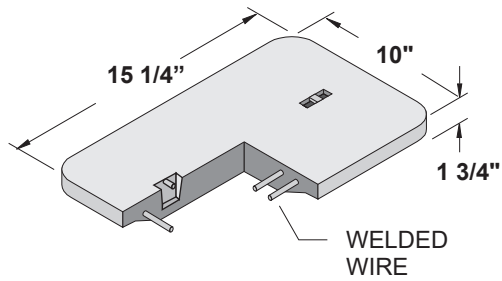
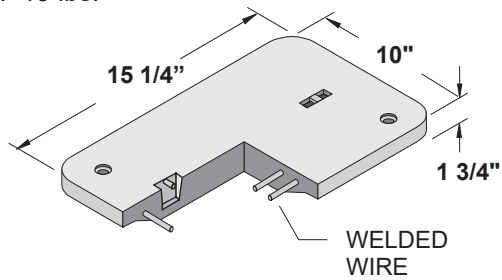


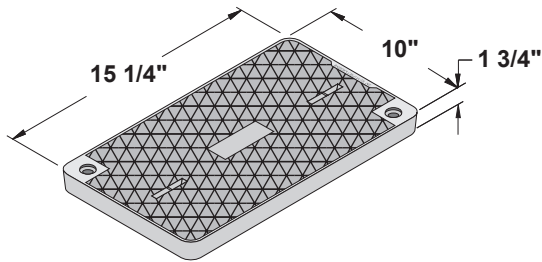
**No. 36 - PB CONCRETE COVER
NON-BOLT DOWN**
WT. 19 lbs.



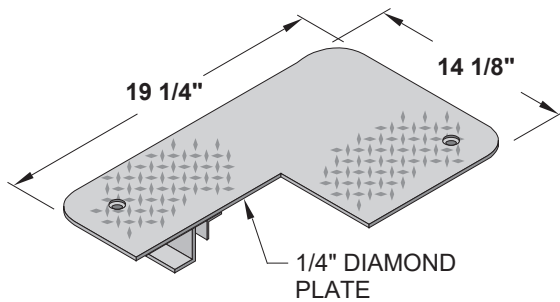
**No. 36 - PB CONCRETE COVER
BOLT DOWN**
WT. 19 lbs.



**No. 36 - PB CAST IRON COVER
BOLT DOWN**
WT. 16 lbs.

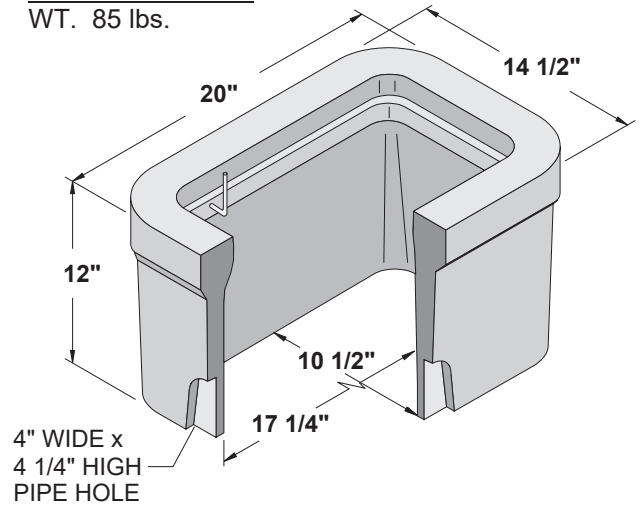


**No. 36-PB STEEL COVER
(SUPERIMPOSED) BOLT DOWN**
WT. 30 lbs.

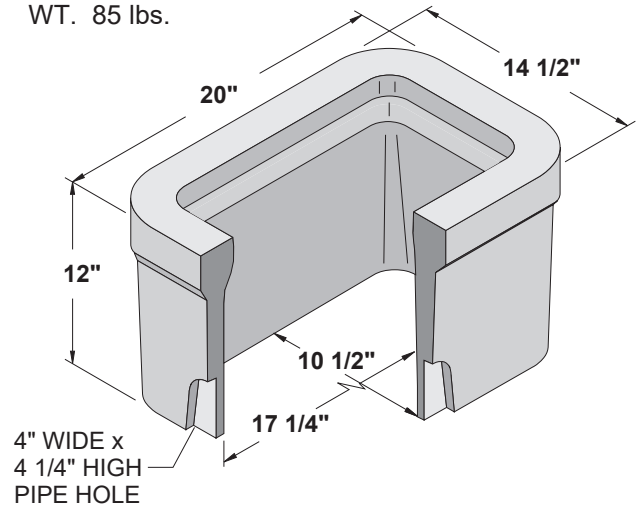


NOTES:
BRASS SWING BOLTS INCLUDED FOR ALL
BOLT DOWN COVERS

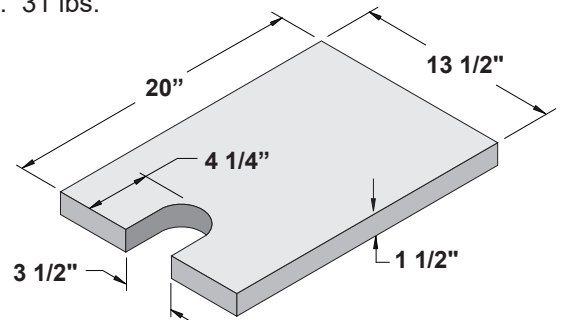
No. 36 - PB BODY
WT. 85 lbs.



No. 36 - EXTENSION
WT. 85 lbs.



No. 36 - BASE
WT. 31 lbs.



10 1/2" x 17 1/2" PULL BOX
(STATE #3 1/2 SPEC.)

JENSEN
PRECAST EST. 1968

ORG. DWG. DATE
04-26-95

REV. DWG. DATE
02-14-20

BROOKS 36PB