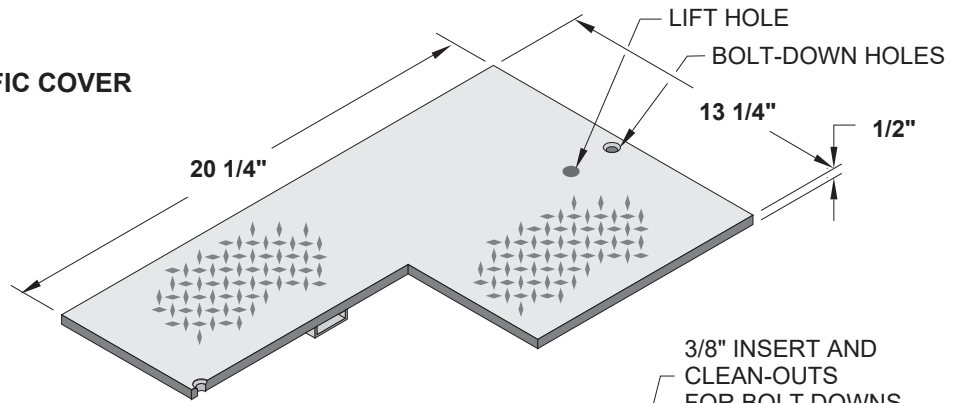
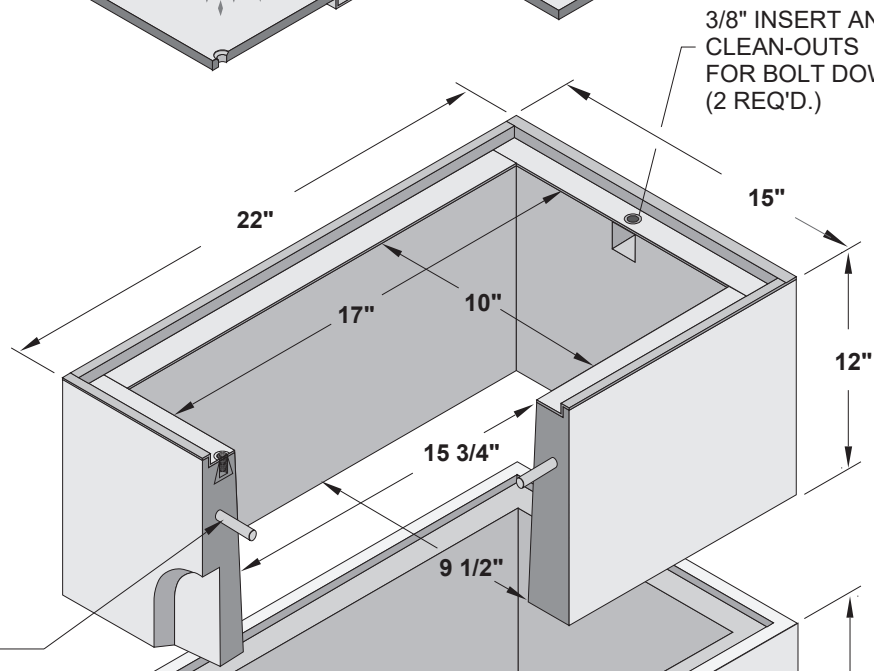


No. 3 1/2-T PB STEEL TRAFFIC COVER
BOLT DOWN
 WT. 40 lbs.

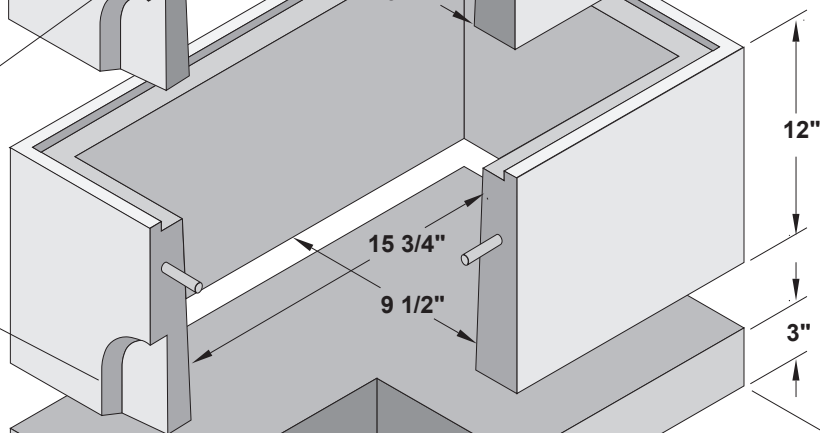


No. 3 1/2-T PB - BODY
 WT. 160 lbs.

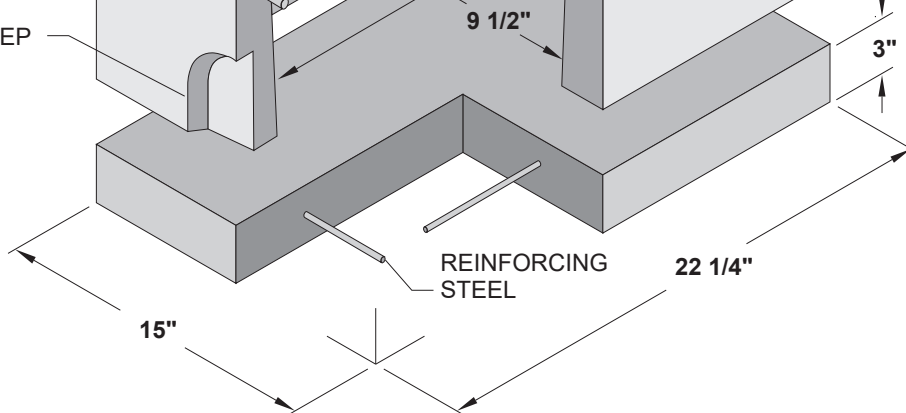


No. 3 1/2-T PB - EXTENSION
 WT. 157 lbs.

5" x 5 3/4" K.O. x 1 1/2" DEEP



No. 3 1/2-T PB - BASE
 WT. 80 lbs.



5
-
0
9

10" x 17" TRAFFIC PULL BOX (STATE SPEC. 3 1/2-T)	
ORG. DWG. DATE	REV. DWG. DATE
03-29-95	02-14-20



BROOKS 3 1/2-T PB