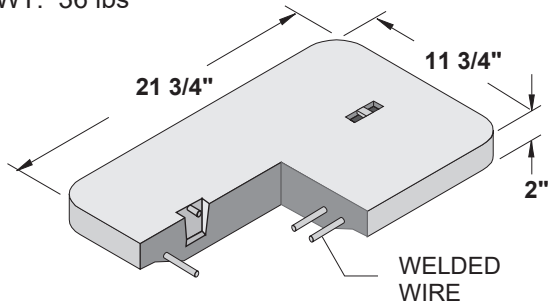


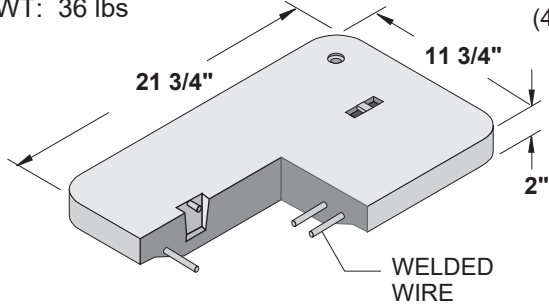
**No. 2 - PB CONCRETE COVER  
NON-BOLT DOWN**

WT: 36 lbs



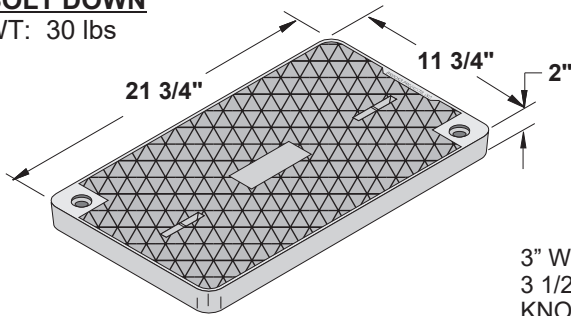
**No. 2 - PB CONCRETE COVER  
BOLT DOWN**

WT: 36 lbs



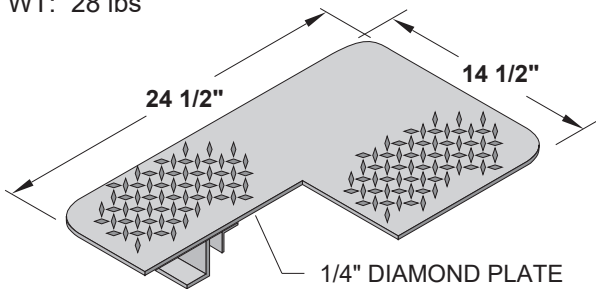
**No. 2 - PB CAST IRON COVER  
BOLT DOWN**

WT: 30 lbs



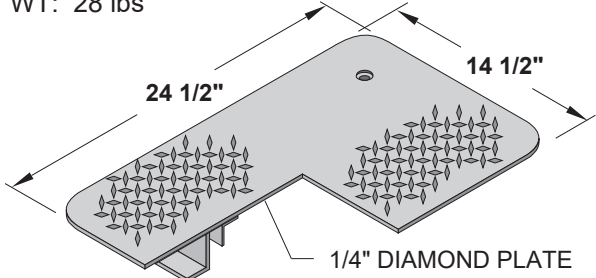
**No. 2 - PB STEEL COVER  
(SUPERIMPOSED) NON-BOLT DOWN**

WT: 28 lbs



**No. 2 - PB STEEL COVER  
(SUPERIMPOSED) BOLT DOWN**

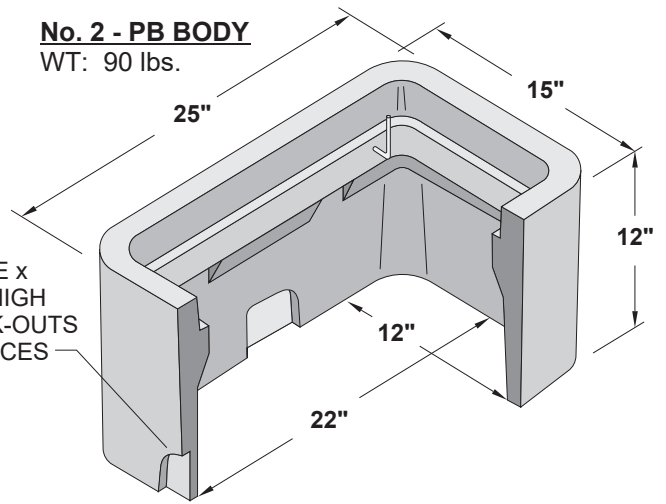
WT: 28 lbs



**NOTES:  
BRASS SWING BOLTS INCLUDED FOR ALL  
BOLT DOWN COVERS**

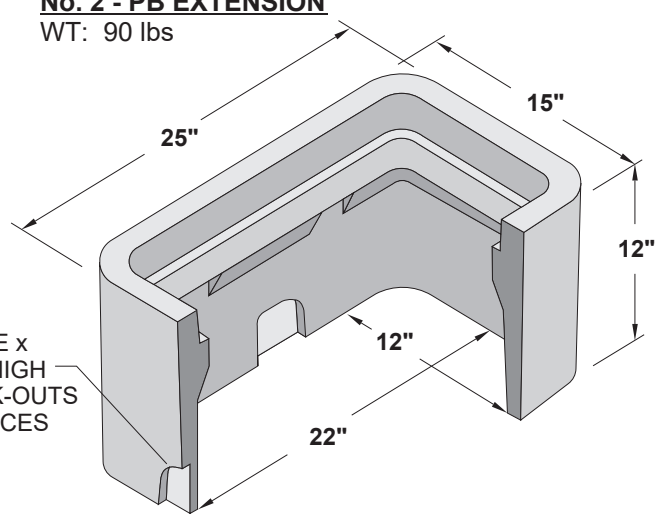
**No. 2 - PB BODY**

WT: 90 lbs.



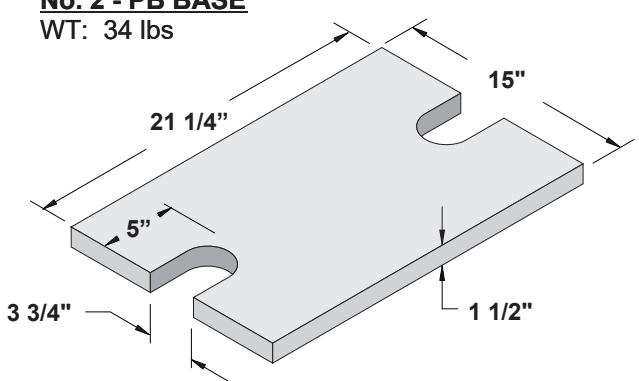
**No. 2 - PB EXTENSION**

WT: 90 lbs



**No. 2 - PB BASE**

WT: 34 lbs



5  
-  
0  
3

12" x 22" PULL BOX

**JENSEN**  
PRECAST EST. 1968

**BROOKS 2PB**

ORG. DWG. DATE  
03-27-95

REV. DWG. DATE  
02-14-20