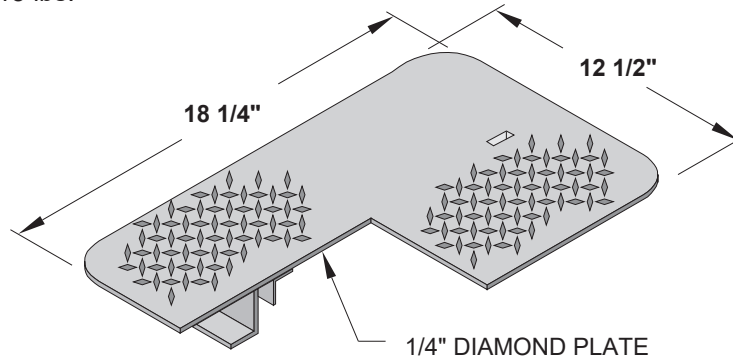


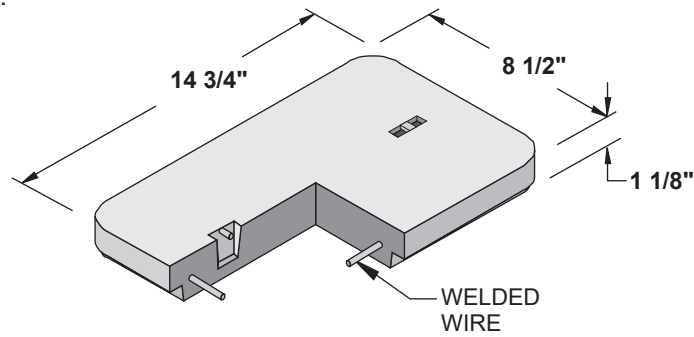
**No. 1 - PB STEEL COVER
(SUPERIMPOSED) NON-BOLT DOWN**

WT. 15 lbs.



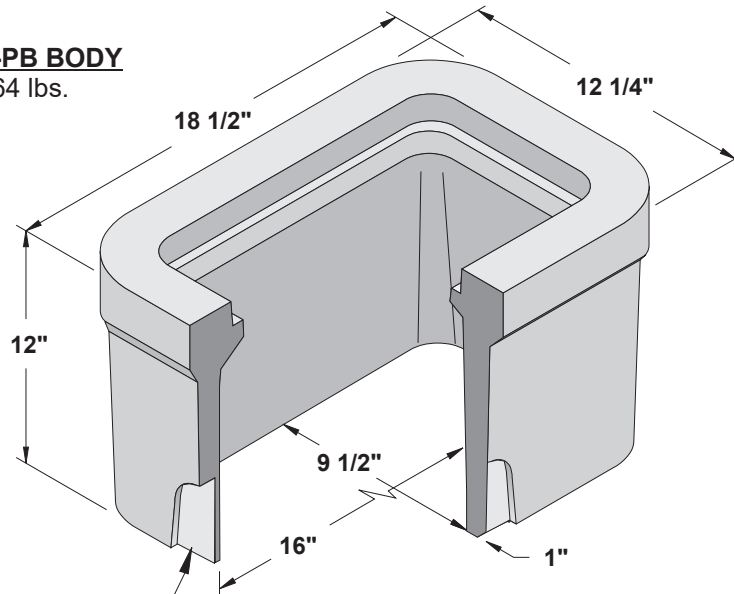
**No. 1 - PB CONCRETE COVER
NON-BOLT DOWN**

WT. 14 lbs.



No. 1-PB BODY

WT. 64 lbs.



3" WIDE x 3 1/2" HIGH
KNOCK-OUTS
(4) PLACES

5
-
0
2

9 1/2" x 16" PULL BOX

JENSEN
PRECAST EST. 1968

BROOKS 1PB

ORG. DWG. DATE
03-29-95

REV. DWG. DATE
02-14-20