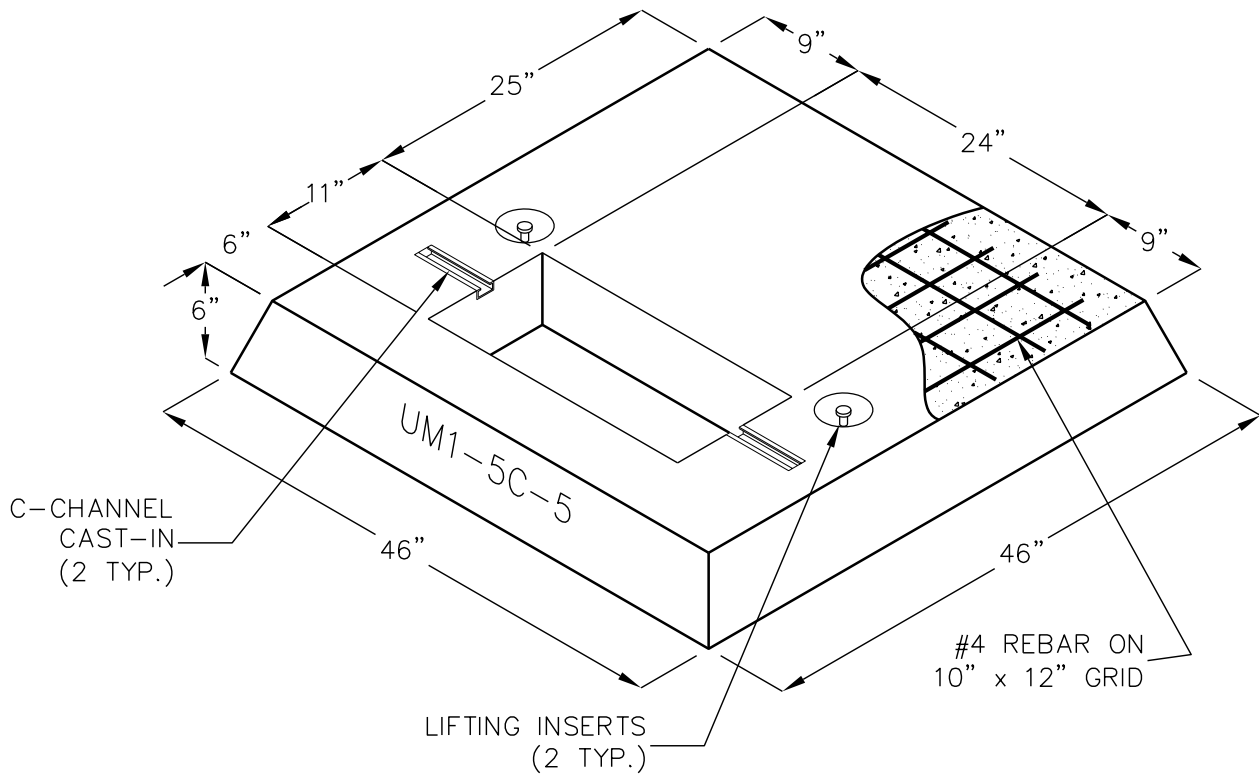


UM1-5C-5 PAD ASSEMBLY

42" X 42" X 6"

OPD 4242 PAD



FOR COMPLETE DESIGN
AND PRODUCT INFORMATION
CONTACT JENSEN PRECAST.