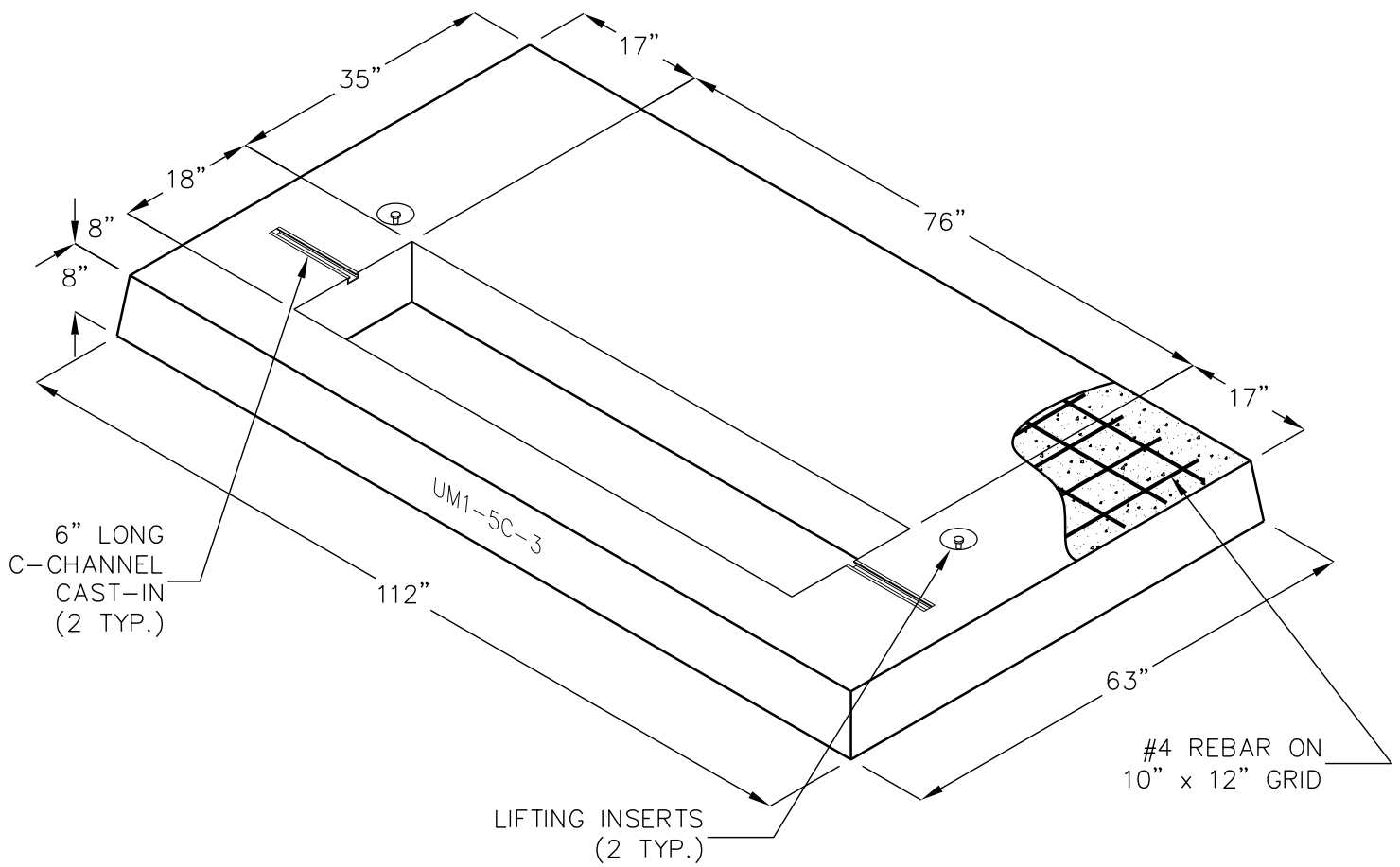


UM1-5C-3 PAD ASSEMBLY

63" X 112" X 8"



FOR COMPLETE DESIGN
AND PRODUCT INFORMATION
CONTACT JENSEN PRECAST.