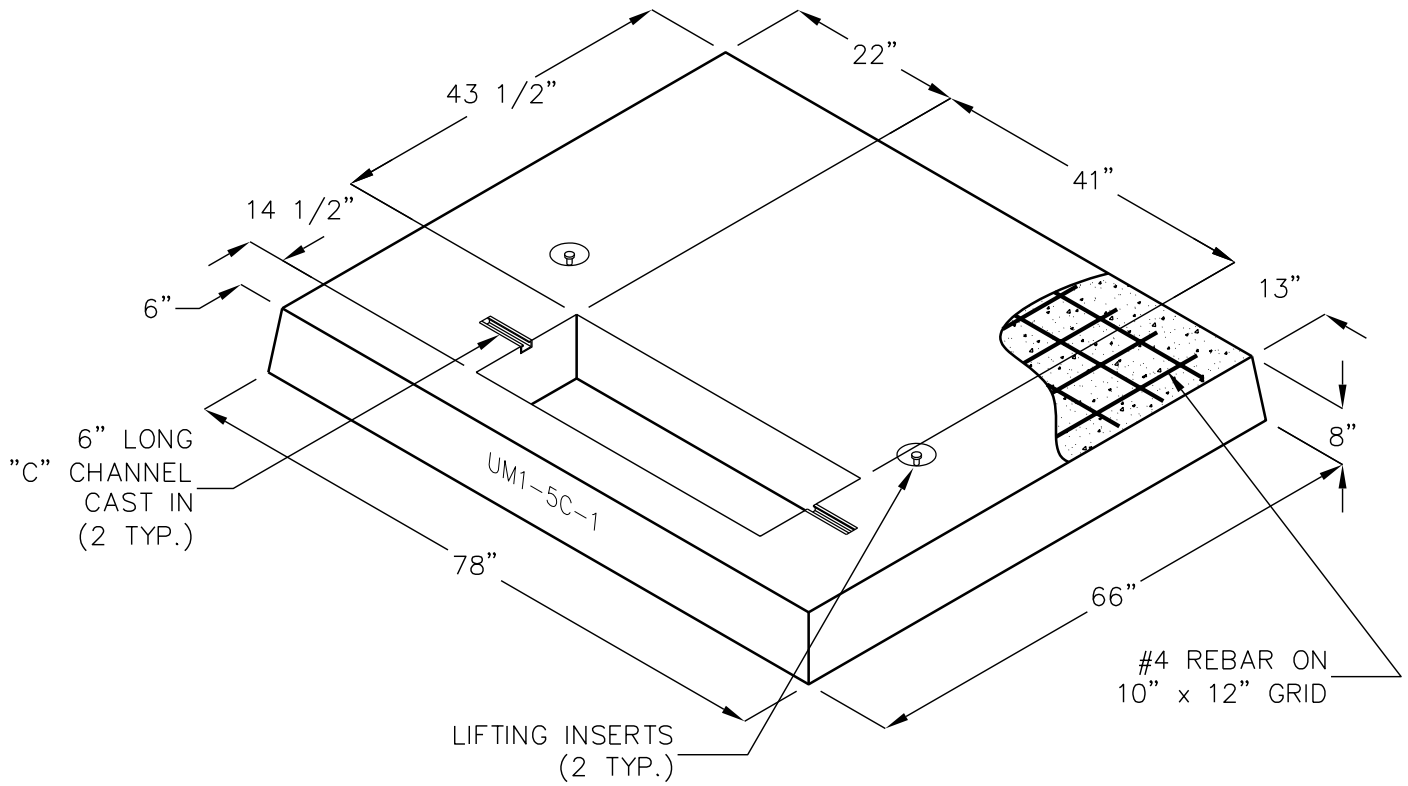


# UM1-5C-1 PAD ASSEMBLY

66" X 78" X 8"



FOR COMPLETE DESIGN  
AND PRODUCT INFORMATION  
CONTACT JENSEN PRECAST.