

NO 9 PULLBOX

3'-6"x3'-6"x3'-2"

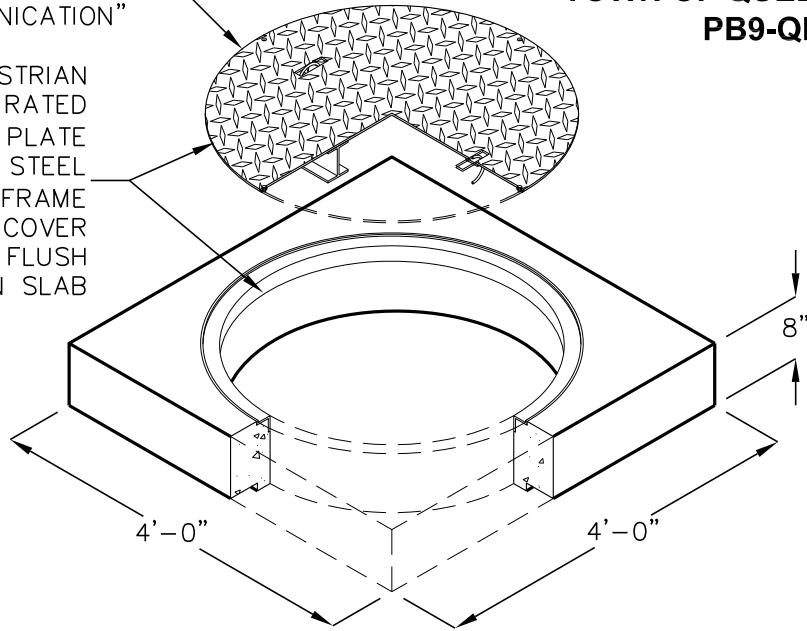
(NOMINAL INSIDE DIMENSIONS)

TOWN OF QUEEN CREEK

PB9-QN

COVER MARKED
"TOQC COMMUNICATION"
OR
"Q-STREET COMMUNICATION"

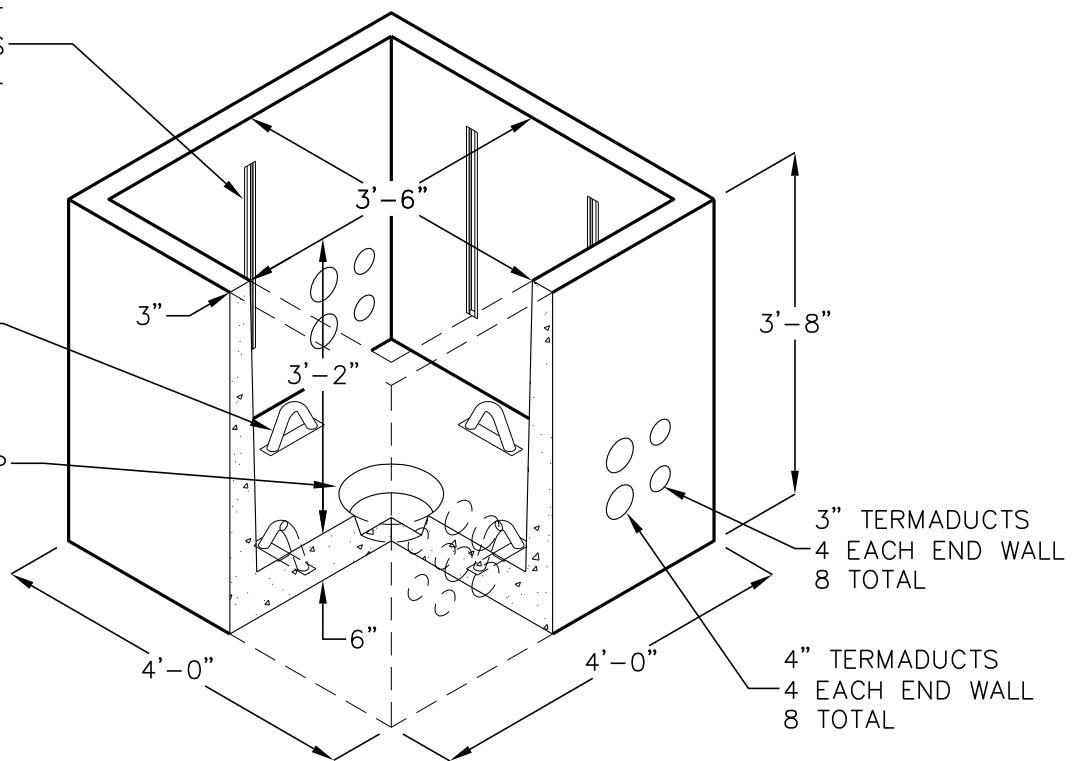
300 PSF PEDESTRIAN
LOAD RATED
1/4" DIAMOND PLATE
GALVANIZED STEEL
36" ROUND FRAME
AND COVER
CAST IN FLUSH
CENTERED IN SLAB



24" STRUT
CAST INTO WALLS
6 TOTAL

PULLING IRONS
4 TOTAL

9" DIA. SUMP



3" TERMADUCTS
4 EACH END WALL
8 TOTAL

4" TERMADUCTS
4 EACH END WALL
8 TOTAL

COVER DESIGN LOAD: 300 PSF PEDESTRIAN LOADING

PULLBOX DESIGN LOAD: H-20 TRAFFIC.

WATER TABLE ASSUMED TO BE BELOW BOTTOM OF STRUCTURE.

FOR COMPLETE DESIGN AND PRODUCT INFORMATION CONTACT JENSEN PRECAST.

Jensen Precast reserves the right to make changes to product design and/or dimensions without notice. Please contact Jensen Precast whenever necessary for confirmation or advice on product design.