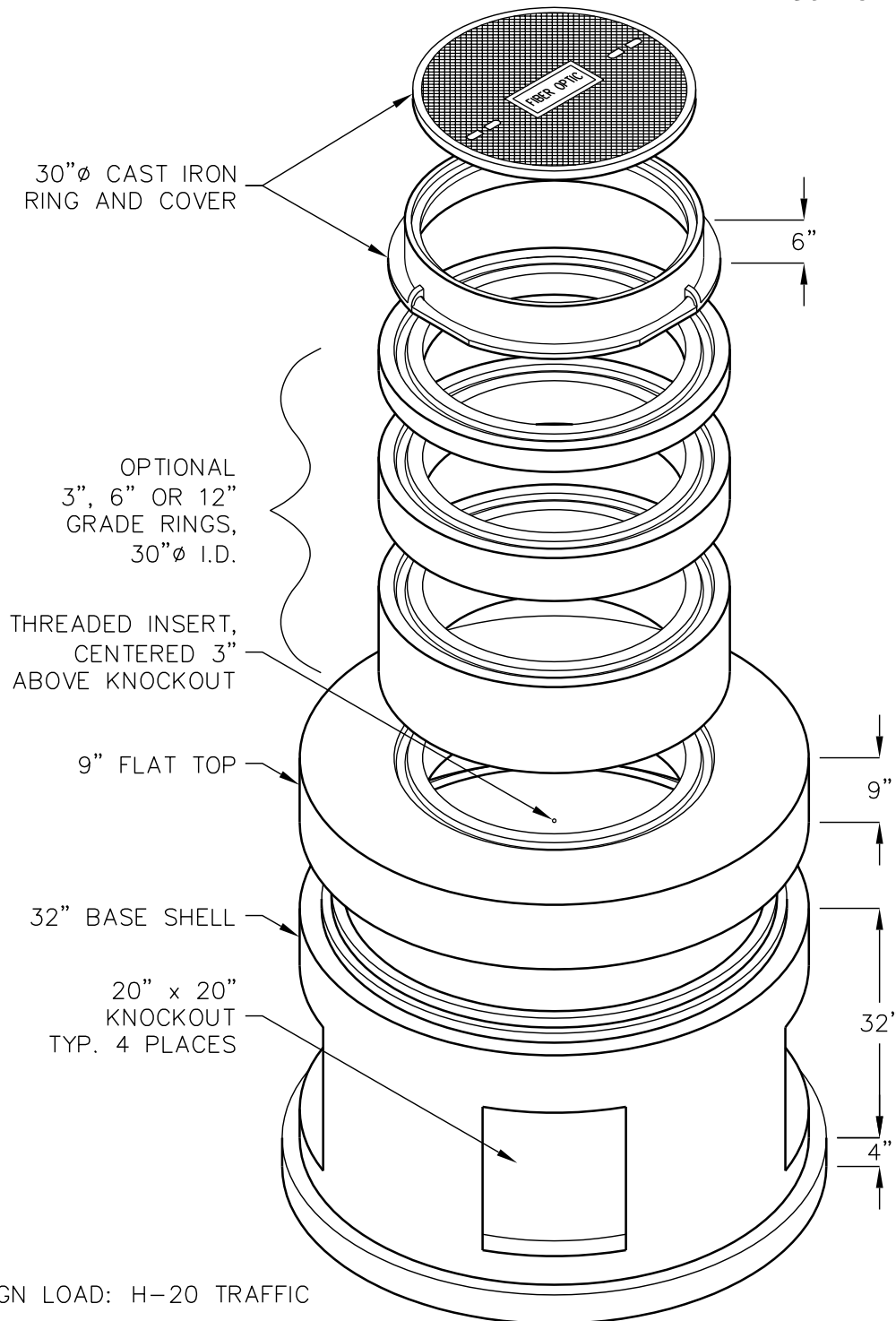


4832 FIBER SPLICE PIT ASSEMBLY WITH 30" CLEAR OPENING



DESIGN LOAD: H-20 TRAFFIC

FOR COMPLETE DESIGN
AND PRODUCT INFORMATION
CONTACT JENSEN PRECAST.