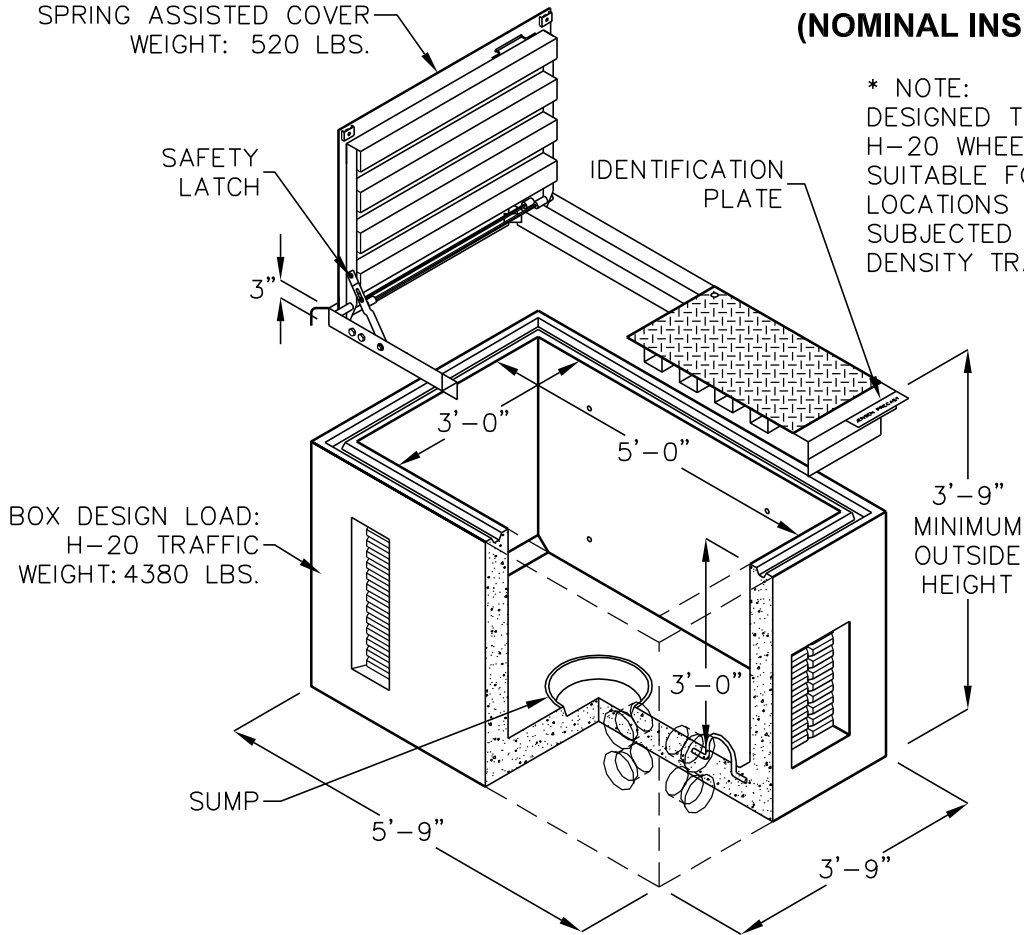


# 35TA PULLBOX

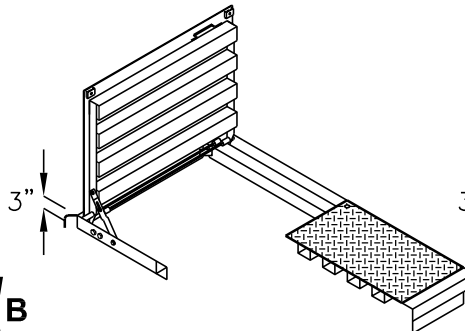
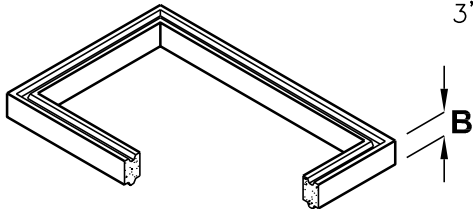
**3'-0"x5'-0"x3'-0"**  
**(NOMINAL INSIDE DIMENSIONS)**

\* 3660AT-TRF TORSION  
SPRING ASSISTED COVER  
WEIGHT: 520 LBS.

\* NOTE:  
DESIGNED TO WITHSTAND  
H-20 WHEEL LOADINGS,  
SUITABLE FOR OFF-STREET  
LOCATIONS WHERE NOT  
SUBJECTED TO HIGH  
DENSITY TRAFFIC.

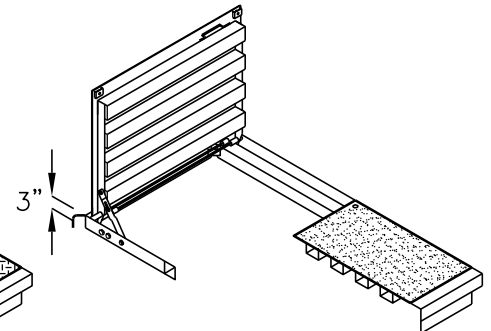


OPTIONAL RISERS (EXTENSIONS)		
MODEL NO.	B	WEIGHT
35-R6	6"	420 LBS.
35-R12	12"	840 LBS.



**ADJUSTABLE TORSION SPRING  
ASSISTED COVERS  
(DIAMOND PLATE SURFACE)**

\* 3660AT-TRF, 520 LBS.  
(H-20 TRAFFIC)  
OR  
3660AT-PKY, 420 LBS.  
(NON-TRAFFIC)



**ADJUSTABLE TORSION SPRING  
ASSISTED COVERS  
(NON-SLIP SURFACE)**

\* 3660AT-TRF-AG, 510 LBS.  
(H-20 TRAFFIC)  
OR  
3660AT-PKY-AG, 410 LBS.  
(NON-TRAFFIC)

FOR COMPLETE DESIGN  
AND PRODUCT INFORMATION  
CONTACT JENSEN PRECAST.

Jensen Precast reserves the right to make changes to product design  
and/or dimensions without notice. Please contact Jensen Precast whenever  
necessary for confirmation or advice on product design.

**JENSEN**  
**PRECAST**