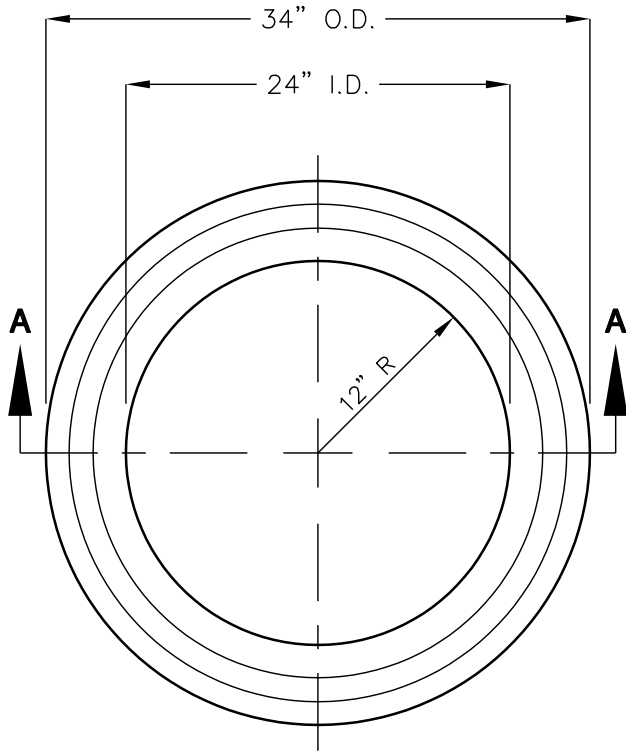
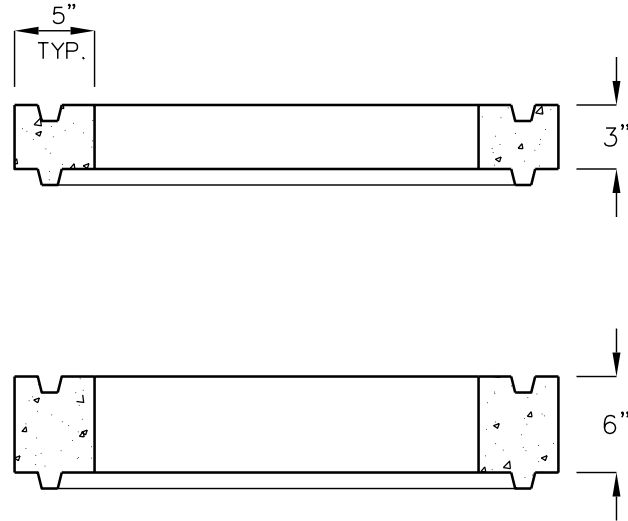


GRADE RINGS/RISERS

MODEL 2434
24" I.D., 5" WALL



TOP VIEW



SECTION A-A

DESCRIPTION	APPROX. WEIGHT
2434 GR-03 GRADE RING	97 LBS.
2434 GR-06 GRADE RING	194 LBS.

CONFORMS TO CURRENT SPECIFICATIONS:
ASTM C-478 AND AASHTO NO. M-199-811

FOR COMPLETE DESIGN
AND PRODUCT INFORMATION,
CONTACT JENSEN PRECAST.