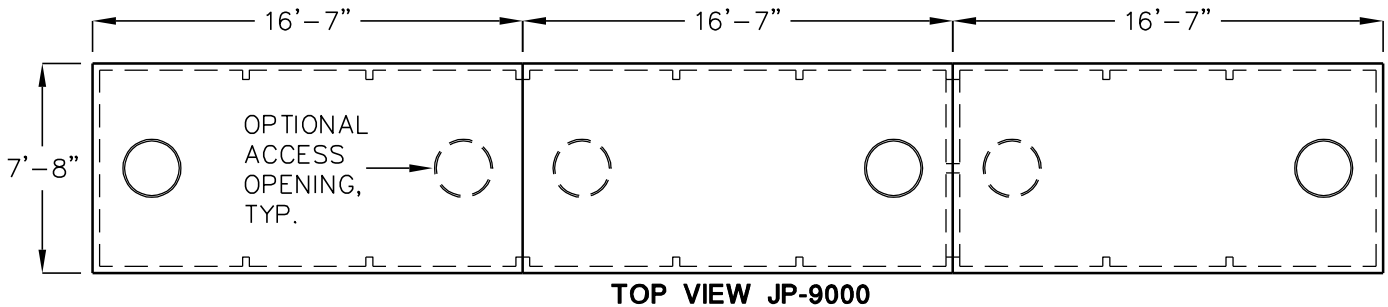
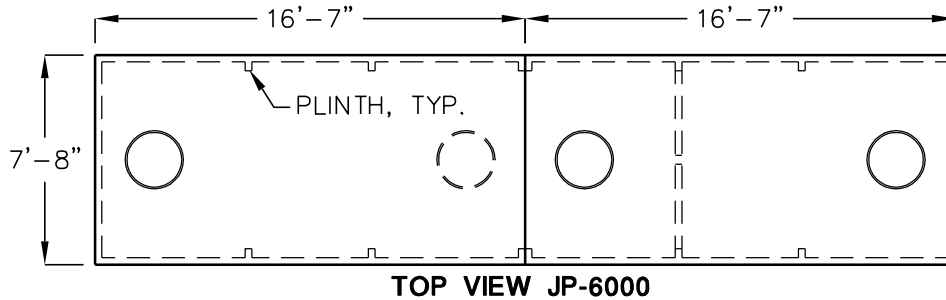
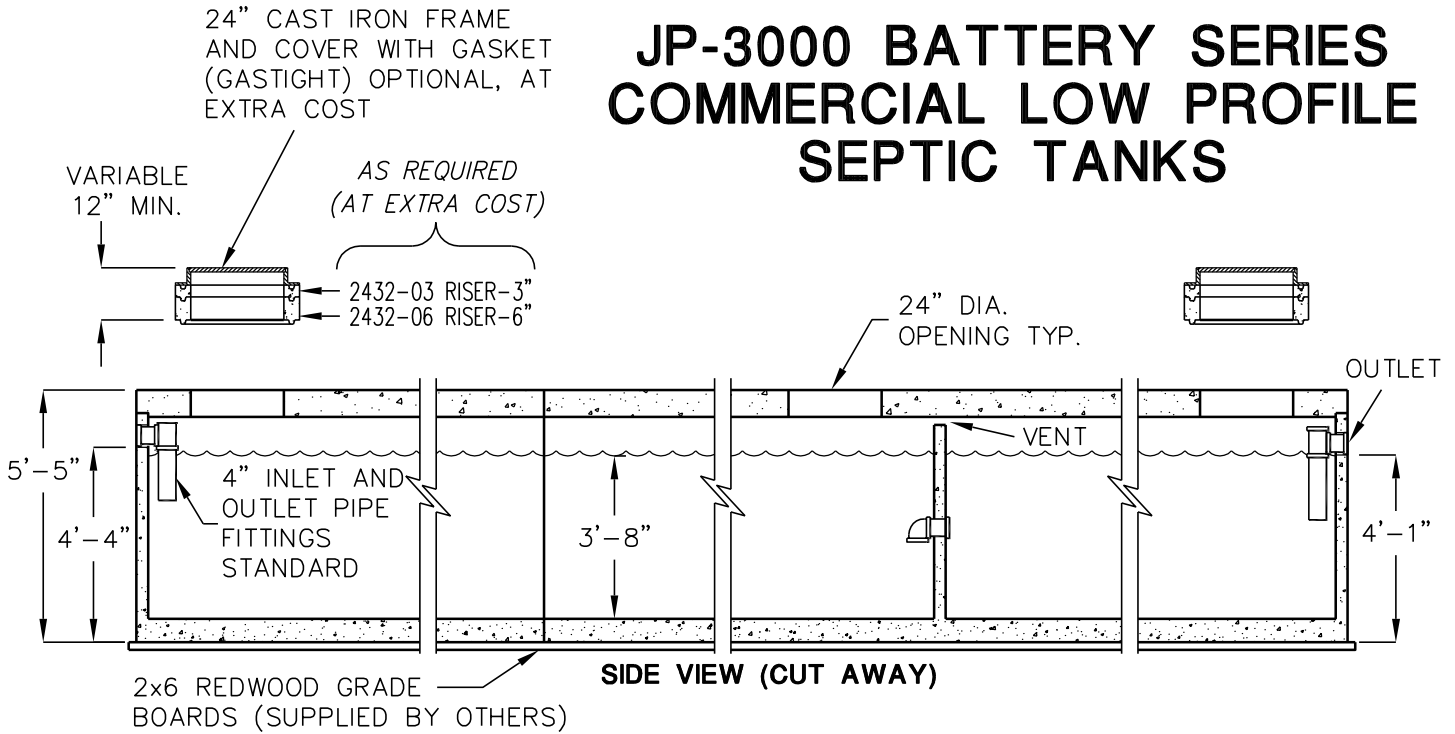


JP-3000 BATTERY SERIES COMMERCIAL LOW PROFILE SEPTIC TANKS



| MODEL NO. | SECTIONS | INSTALLATION LENGTH | LIQUID CAPACITY |
|-----------|-------------------------|---------------------|-----------------|
| 2xJP-3000 | 2 JP-3000 BATTERY TANKS | 33'-4" | 6000 GALLONS |
| 3xJP-3000 | 3 JP-3000 BATTERY TANKS | 50'-1" | 9000 GALLONS |
| 4xJP-3000 | 4 JP-3000 BATTERY TANKS | 66'-10" | 12000 GALLONS |
| 5xJP-3000 | 5 JP-3000 BATTERY TANKS | 83'-7" | 15000 GALLONS |

BOX DESIGN LOAD: H-20 TRAFFIC WITH 1' TO 5' OF COVER.
FOR COMPLETE DESIGN AND PRODUCT INFORMATION, CONTACT JENSEN PRECAST

**DRAWING IS
NOT TO SCALE**