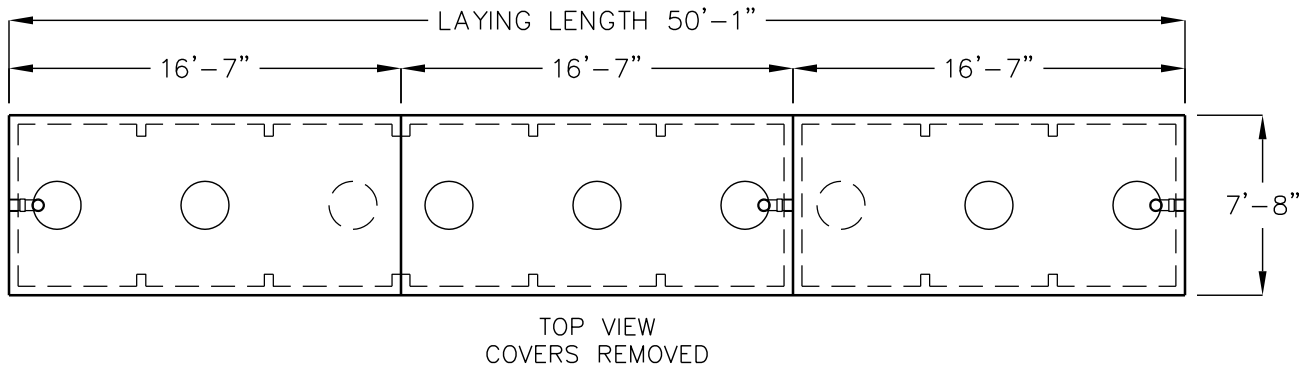
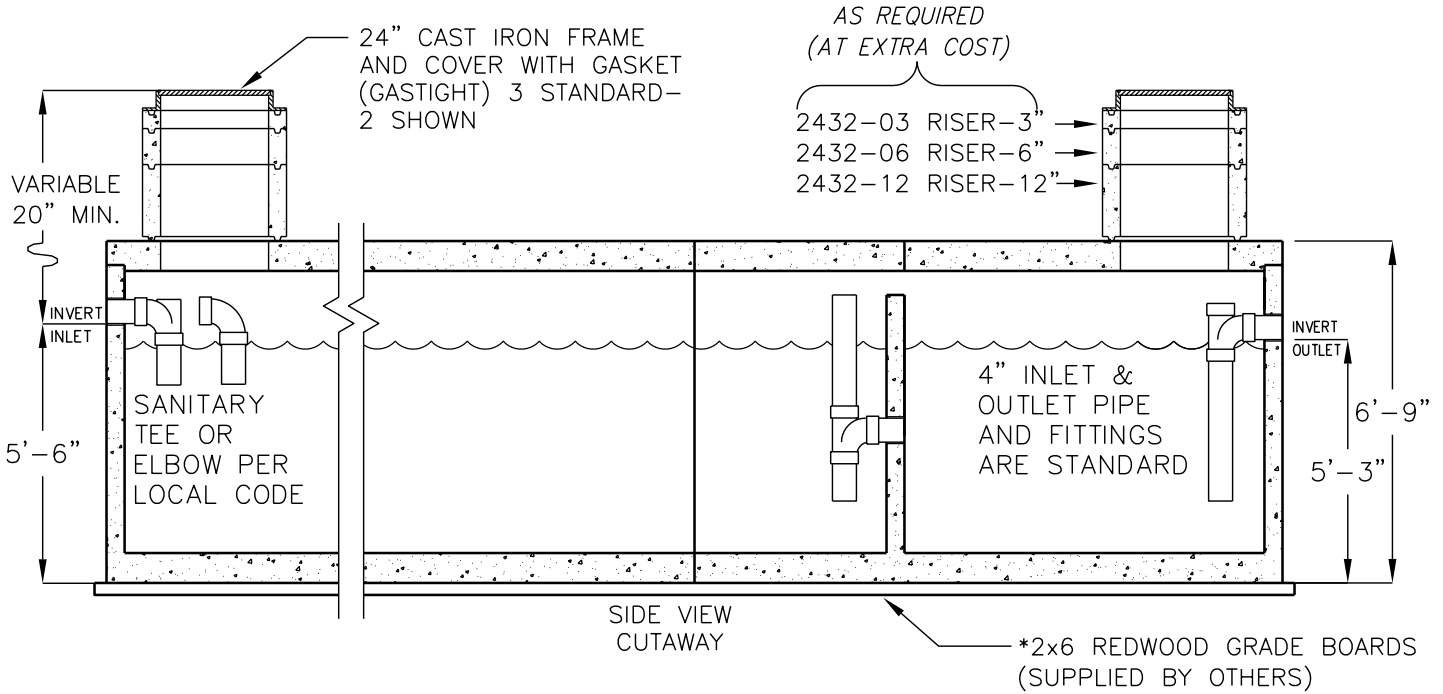


# 12,000 GALLON BATTERY SAND-OIL INTERCEPTOR MODEL 3XJZ4000-SO



○ = RECOMMENDED  
RISER/CAST IRON  
COVER LOCATIONS

○ = OPTIONAL  
RISER/CAST IRON  
COVER LOCATIONS

NOTE: DISTANCE BETWEEN  
ACCESS OPENINGS DOES  
NOT EXCEED 10'.

FOR INSTALLATION INSTRUCTIONS,  
DESIGN AND PRODUCT INFORMATION,  
CONTACT JENSEN PRECAST.

LIQUID CAPACITY: 12,000 GALLONS.  
BOX DESIGN LOAD: H-20 TRAFFIC FROM  
1' TO 5' OF SOIL COVER.