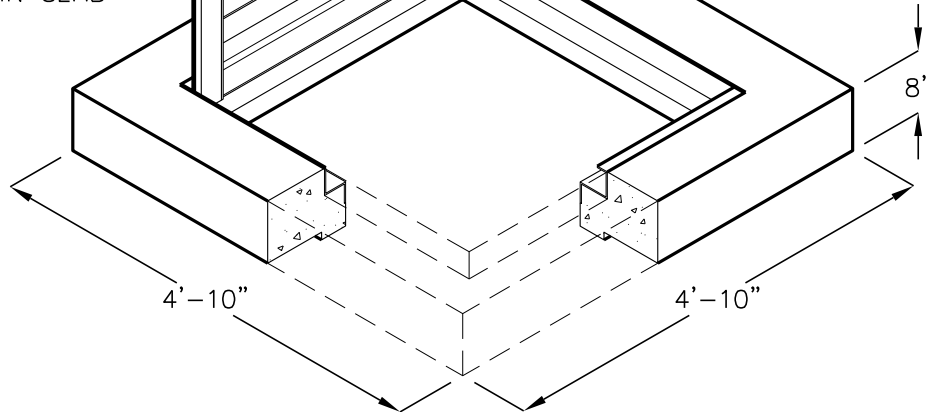


COVER MARKED  
"ADOT FMS"

# NO 9 PULLBOX

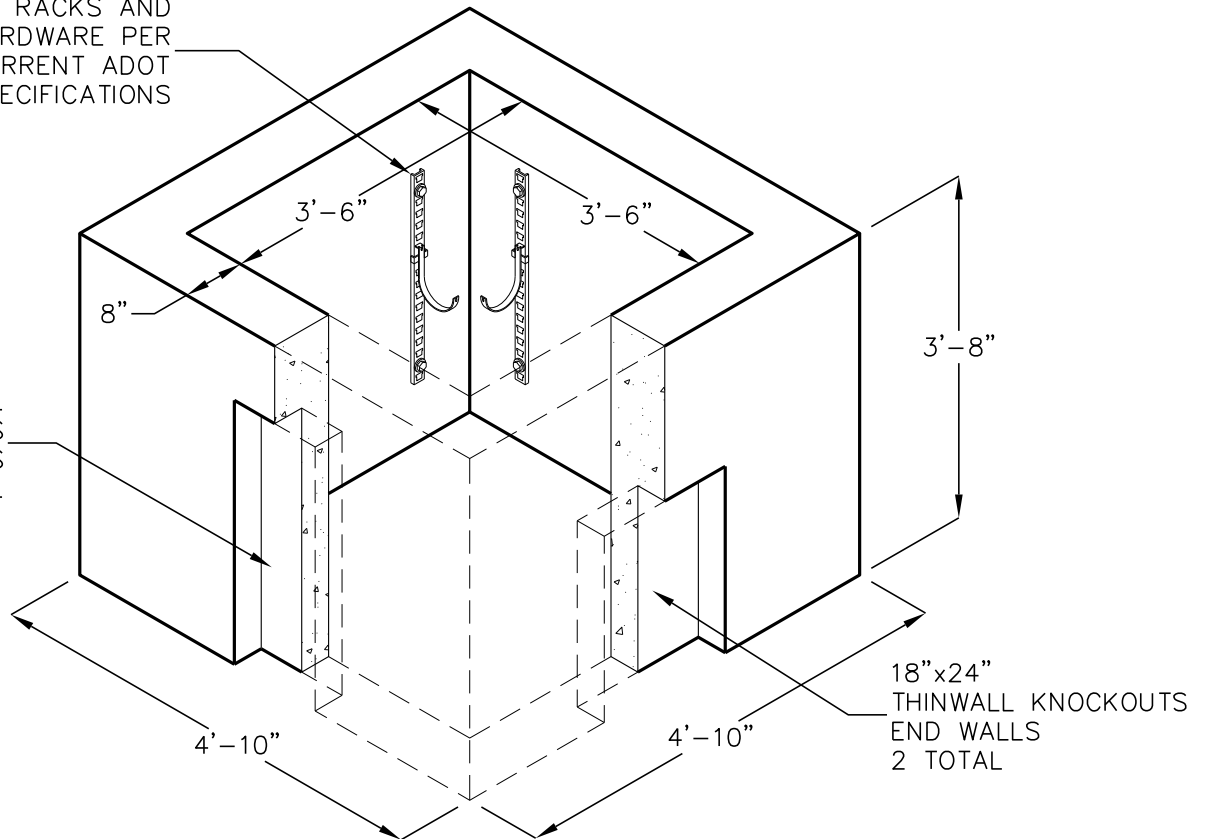
3'-6"x3'-6"x3'-8"  
(NOMINAL INSIDE DIMENSIONS)  
ADOT FMS  
PB9-ADOT-SI

36"x36" GALVANIZED  
SPRING ASSISTED COVER  
WITH 180° LAYBACK HINGE  
AND RECESSED PADLOCK BOX  
RECESSED HANDLE,  
PENTAHEAD LOCKING BOLTS.  
CAST IN FLUSH  
CENTERED IN SLAB



18 HOLE RACKS AND  
HARDWARE PER  
CURRENT ADOT  
SPECIFICATIONS

12"x34" THINWALL  
KNOCKOUTS  
SIDE WALLS  
2 TOTAL



DESIGN LOAD: INCIDENTAL H-20 DESIGN FOR 16,000 LB WHEEL LOAD WITHOUT IMPACT, IN AREAS OF LOW SPEED INTERMITTENT TRAFFIC ONLY; NOT FOR HIGH DENSITY TRAFFIC.

WATER TABLE ASSUMED TO BE BELOW BOTTOM OF STRUCTURE.

FOR COMPLETE DESIGN AND PRODUCT INFORMATION CONTACT JENSEN PRECAST.

Jensen Precast reserves the right to make changes to product design and/or dimensions without notice. Please contact Jensen Precast whenever necessary for confirmation or advice on product design.

**JENSEN**  
PRECAST