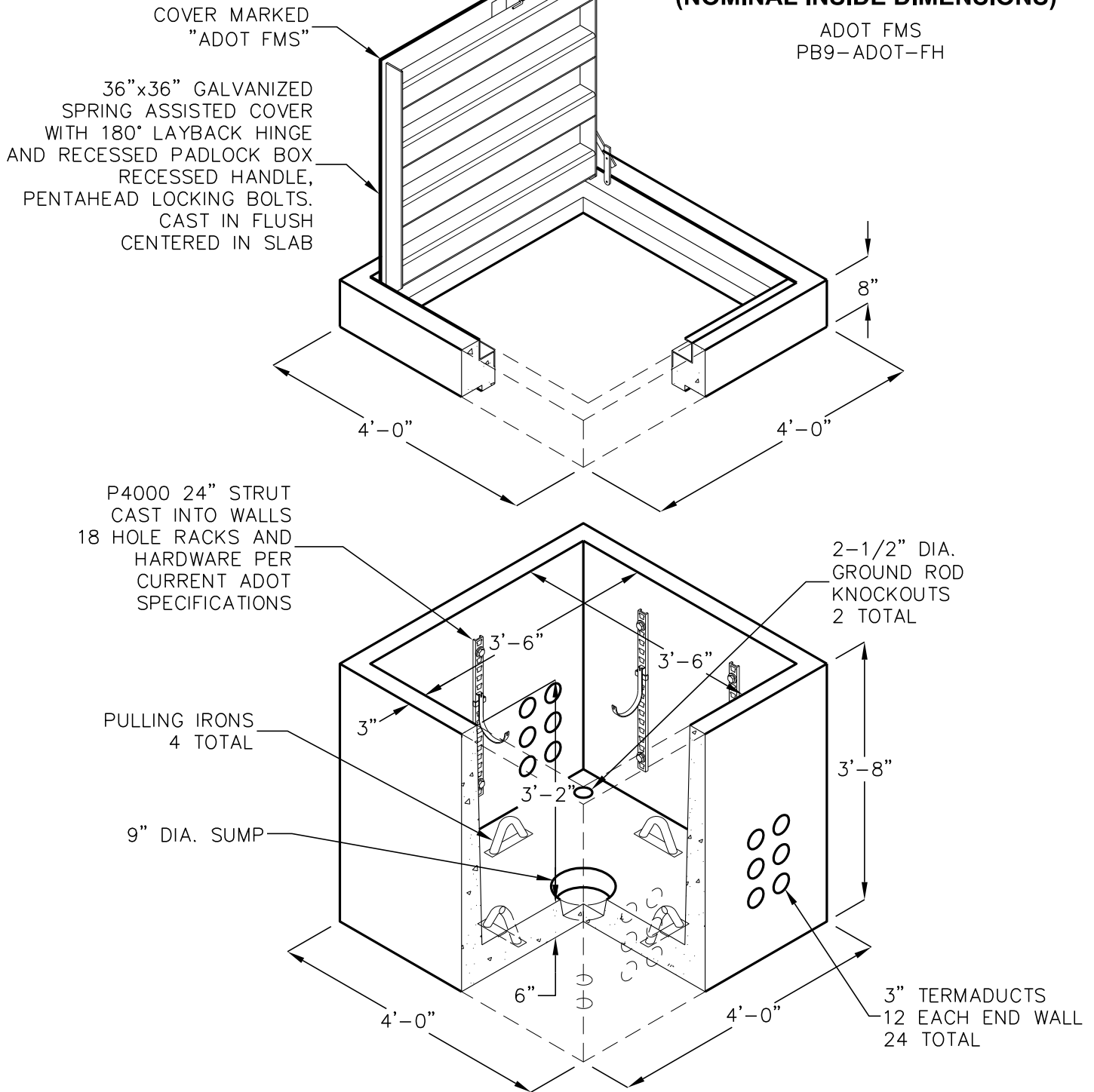


NO. 9 VAULT

3'-6"x3'-6"x3'-2"
(NOMINAL INSIDE DIMENSIONS)

ADOT FMS
PB9-ADOT-FH



DESIGN LOAD: INCIDENTAL H-20 DESIGN FOR 16,000 LB WHEEL LOAD WITHOUT IMPACT, IN AREAS OF LOW SPEED INTERMITTENT TRAFFIC ONLY; NOT FOR HIGH DENSITY TRAFFIC.

WATER TABLE ASSUMED TO BE BELOW BOTTOM OF STRUCTURE.

FOR COMPLETE DESIGN AND PRODUCT INFORMATION CONTACT JENSEN PRECAST.

Jensen Precast reserves the right to make changes to product design and/or dimensions without notice. Please contact Jensen Precast whenever necessary for confirmation or advice on product design.