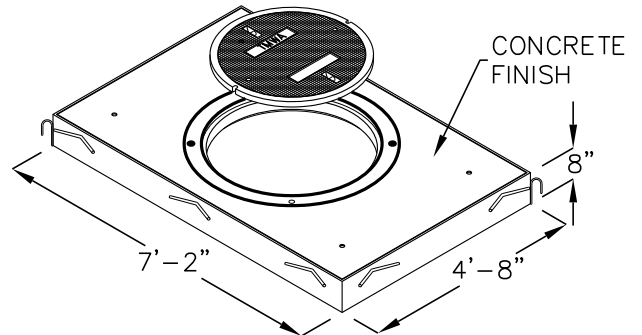
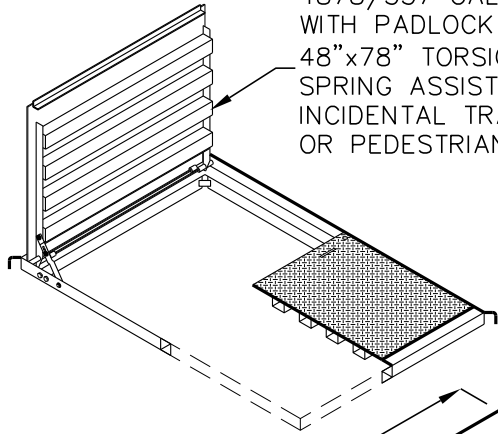


# 612 TMWA

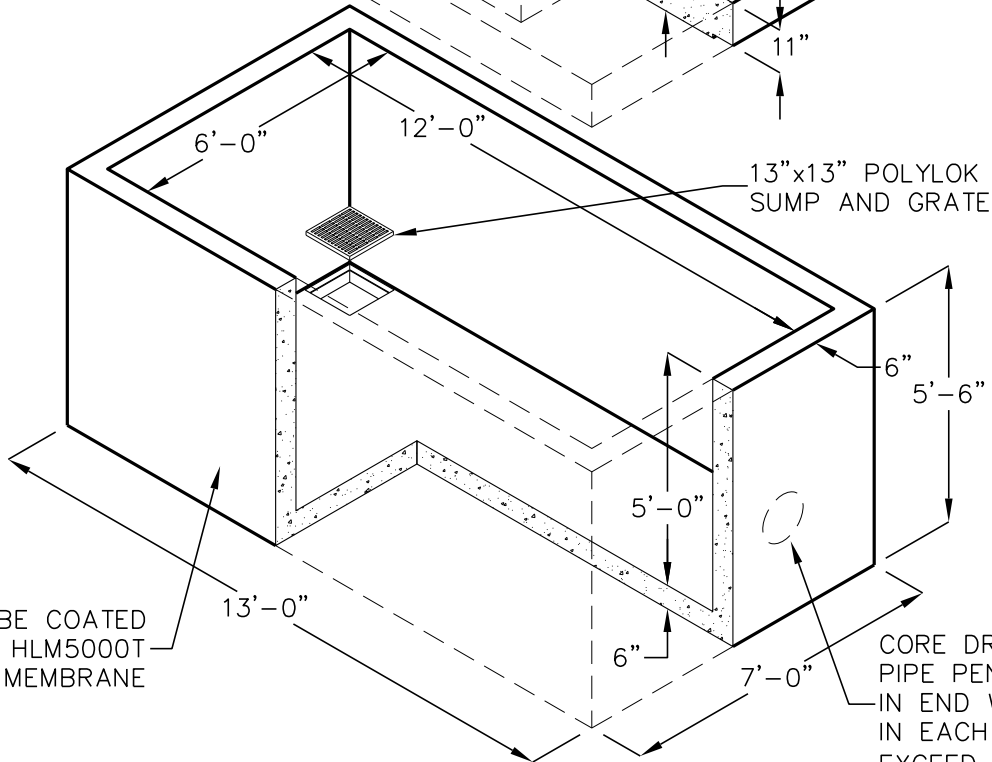
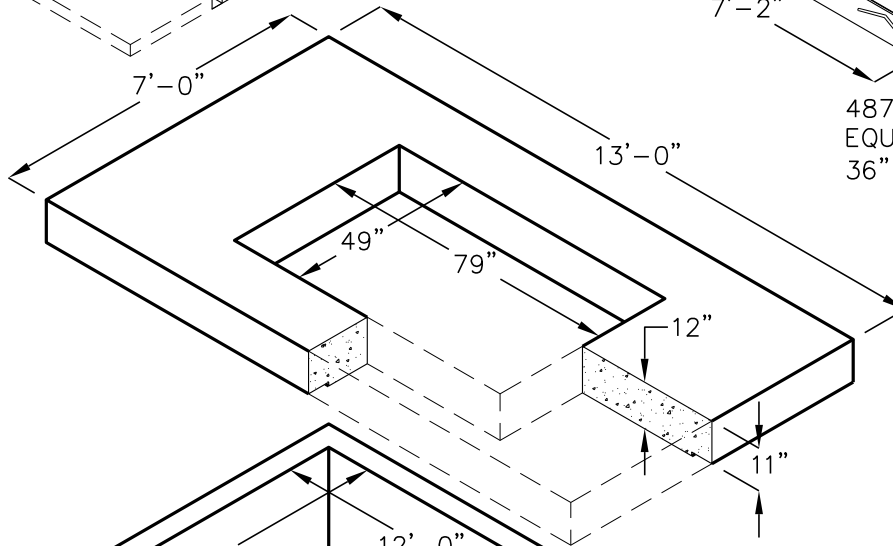
6'-0"x12'-0"x5'-0"  
(NOMINAL INSIDE DIMENSIONS)

STANDARD 10" METER SERIES

4878/557 GALVANIZED COVERS WITH PADLOCK HASP  
48"x78" TORSION SPRING ASSISTED INCIDENTAL TRAFFIC OR PEDESTRIAN



4878HD36 HEAVY DUTY EQUIPMENT ACCESS COVER  
36" DIA. ACCESS OPENING



VAULT TO BE COATED WITH SONNEBORN HLM5000T WATERPROOFING MEMBRANE

CORE DRILLED HOLES FOR PIPE PENETRATIONS ONLY IN END WALLS. SUM OF HOLES IN EACH END WALL NOT TO EXCEED 24"

VAULT INCLUDES GALVANIZED LADDER, AND LADDER-UP PER CURRENT TWMA SPECIFICATIONS.

FOR COMPLETE DESIGN AND PRODUCT INFORMATION CONTACT JENSEN PRECAST.

G