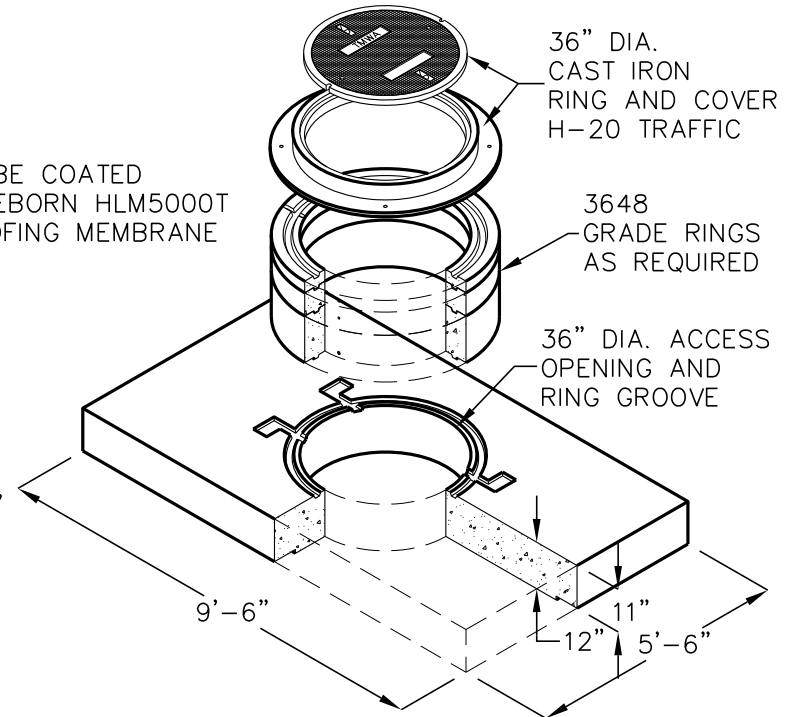
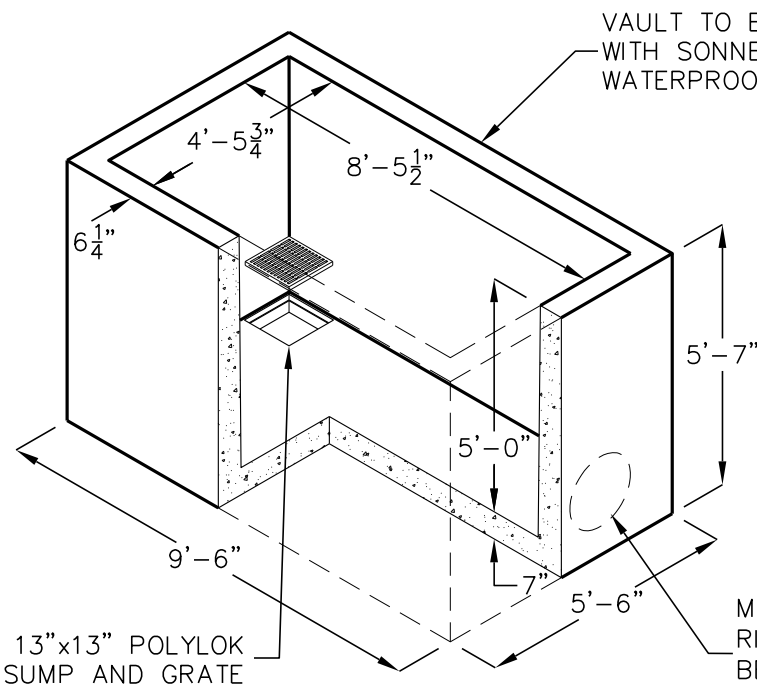
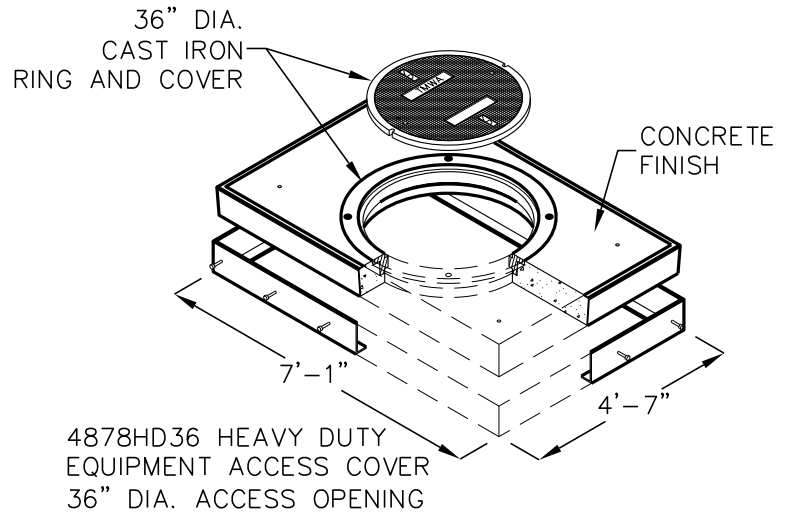
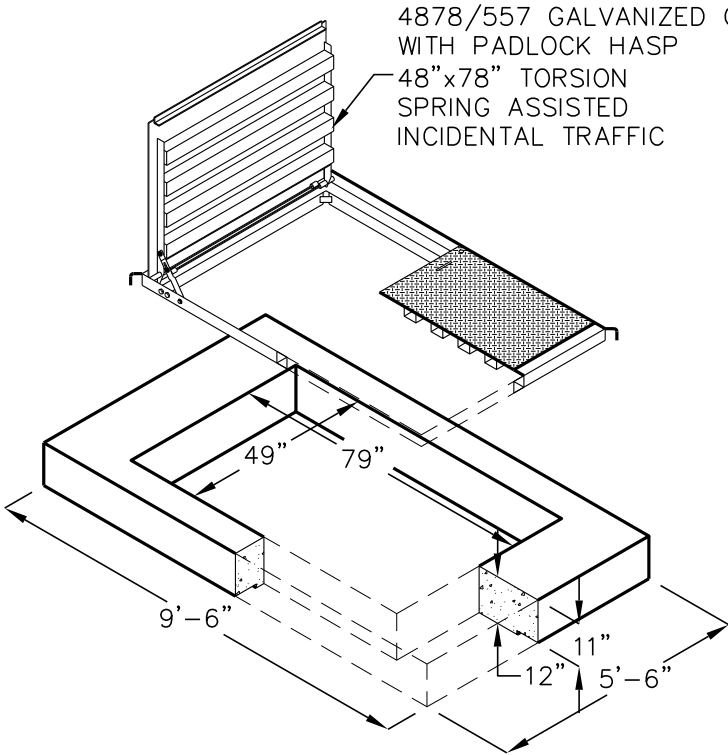


# 4686-1 TMWA

4'-6"x8'-6"x5'-0"  
(NOMINAL INSIDE DIMENSIONS)



MAXIMUM OF ONE 24" HOLE FOR A FULLY GROUTED RIGID PIPE ALLOWED AT EACH WALL. EACH HOLE MUST BE NO CLOSER THAN 6" OFF INSIDE WALL CORNER AND ABOVE FLOOR.

VAULT INCLUDES GALVANIZED LADDER, AND LADDER-UP PER CURRENT TWMA SPECIFICATIONS.  
FOR COMPLETE DESIGN AND PRODUCT INFORMATION CONTACT JENSEN PRECAST.

O