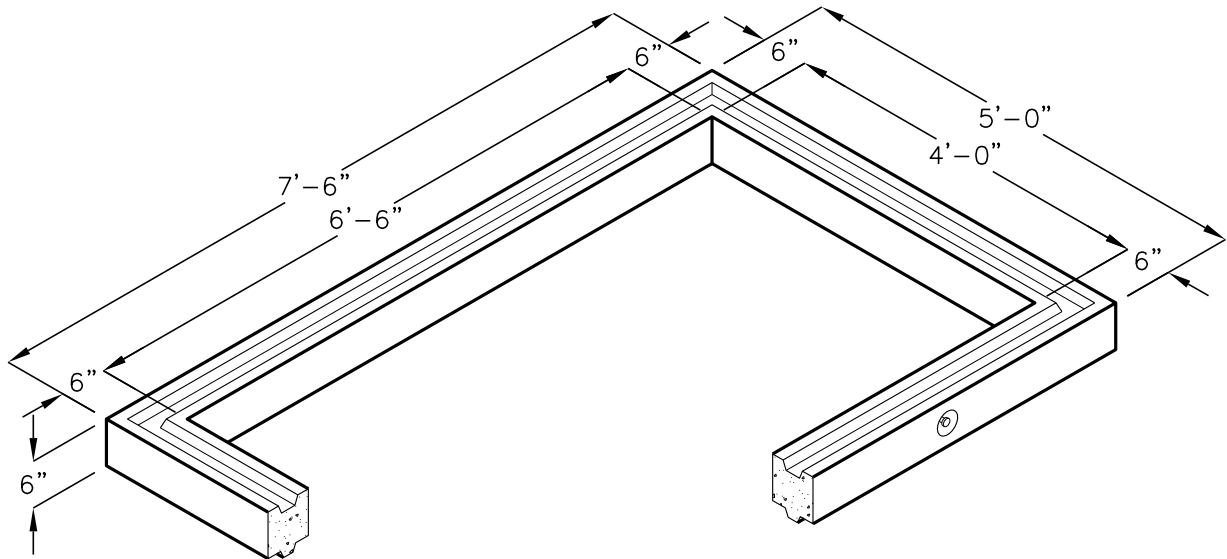




at&t Northern California
Nevada

4'-0" x 6'-6" x 6" AT&T SUB-SURFACE ENCLOSURE EXTENSION

AT&T OIN: 100061959



WEIGHT: 840 LBS

F 8/17/2015 RS46606.DWG ©2015

JENSEN
PRECAST EST. 1968

Jensen Precast reserves the right to make changes to product design and/or dimensions without notice. Please contact Jensen Precast whenever necessary for confirmation or advice on product design.