



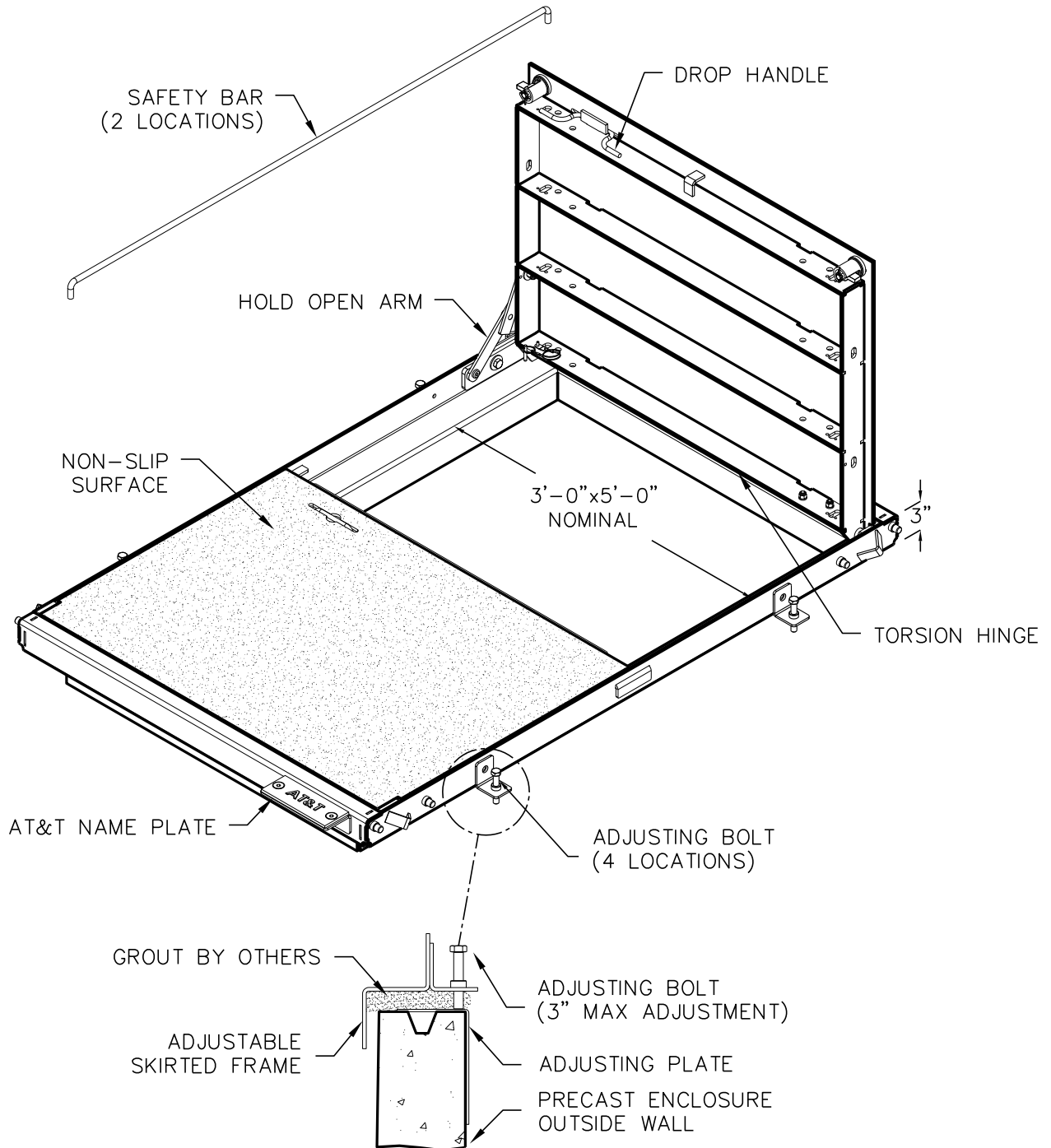
at&t Northern California
Nevada

3'-0" x 5'-0"

ACCESS COVER

PEDESTRIAN RATED HINGED ADJUSTABLE FRAME

AT&T OIN: 100061919



SKIRTED STYLE HATCH MOUNTING DETAIL

WEIGHT: 380 LBS

F 8/14/2015 CA35ATPNS.DWG ©2015



Jensen Precast reserves the right to make changes to product design and/or dimensions without notice. Please contact Jensen Precast whenever necessary for confirmation or advice on product design.