



at&t Northern California
Nevada

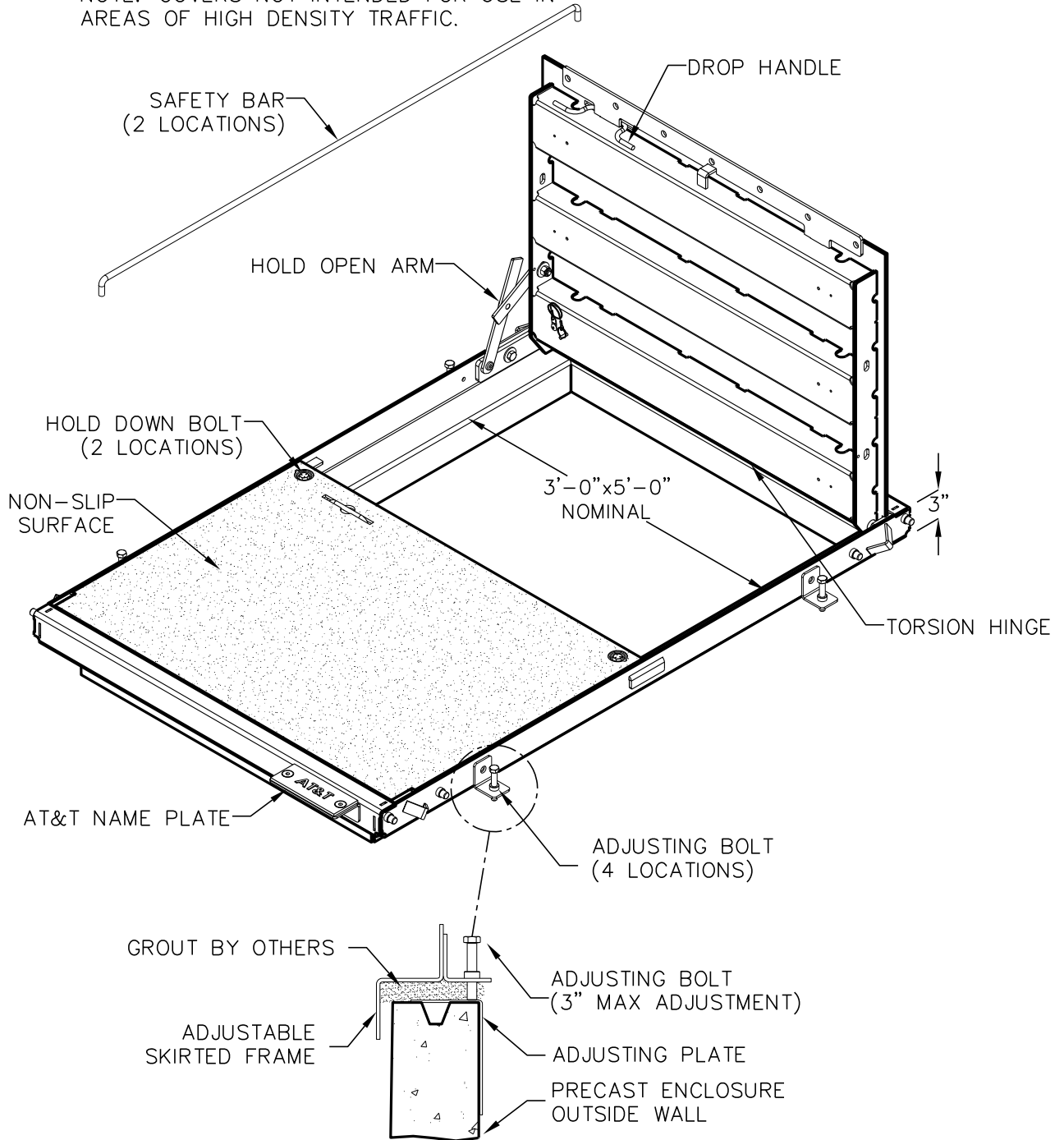
3'-0" x 5'-0"

PAINTED ACCESS COVER

TRAFFIC RATED HINGED ADJUSTABLE FRAME

AT&T OIN: 100061920

NOTE: COVERS NOT INTENDED FOR USE IN AREAS OF HIGH DENSITY TRAFFIC.



SKIRTED STYLE HATCH
MOUNTING DETAIL

WEIGHT: 445 LBS

F 8/14/2015 CA35ATINS.DWG ©2015

JENSEN
PRECAST EST. 1968

Jensen Precast reserves the right to make changes to product design and/or dimensions without notice. Please contact Jensen Precast whenever necessary for confirmation or advice on product design.