

30" DIA. VERIZON TRAFFIC M.H. COVER & NECK X 12" DEEP

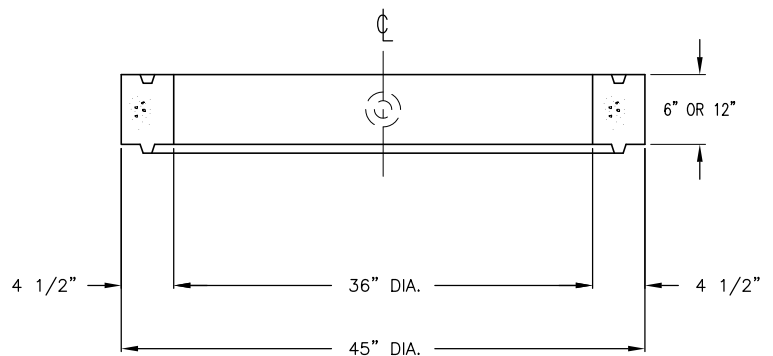
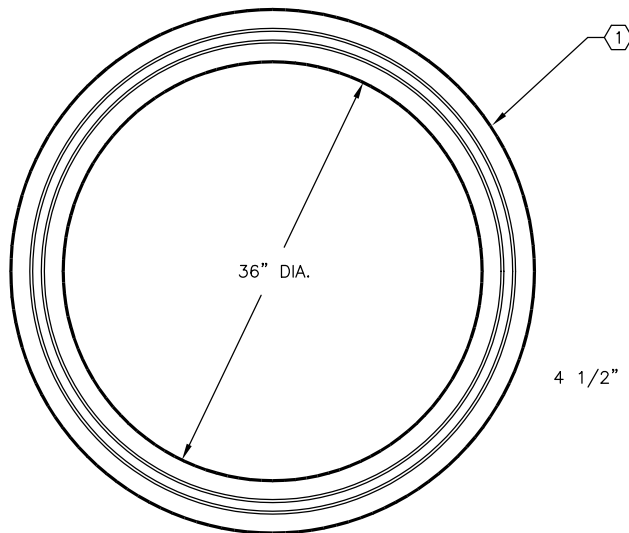
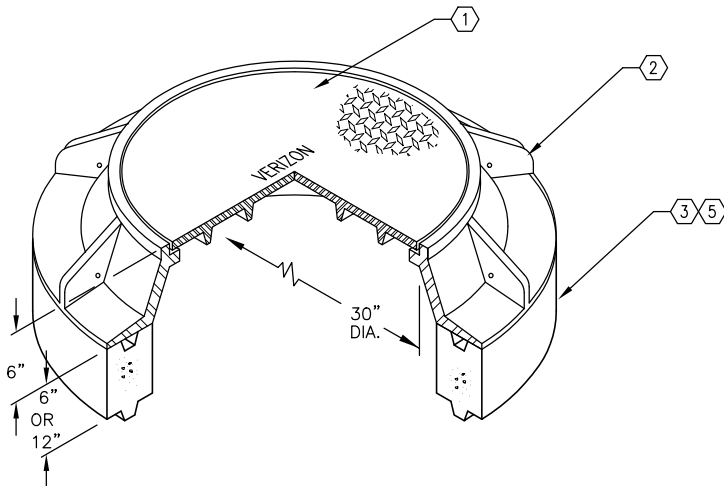
NOTES:

- DESIGNED IN ACCORDANCE WITH AASHTO H-20-44 TRAFFIC BRIDGE LOADING USING 5,500 PSI COMPRESSIVE STRENGTH CONCRETE AND 60,000 PSI YIELD STRENGTH ASTM A-706 STEEL REINFORCEMENT PER CALCS. 30212

1. CAST IRON COVER A-1134, MARKED PER "VERIZON".
2. CAST IRON FRAME A-1134, TOTAL COVER & FRAME-SET WT. 650#.
3. MN36-R6, 6" GRADE RING. WT. 300#.
5. MN36-R12, 12" GRADE RING. WT. 600#.

ORDERING INFORMATION:

K36-MN12-13T FOR ASSEMBLY INCLUDING:
 CAST IRON FRAME AND COVER (ITEMS #1, & 2),
 PLUS EXTENSION (ITEM #3). ORDER ADDITIONAL
 EXTENSIONS (ITEMS #3, 4, & 5) AS REQ'D.



AUTOCAD REL. 14

#	DATE	DESCRIPTION	BY

K36-MN12-13T
 PER VERIZON SPECS. 03-01-02