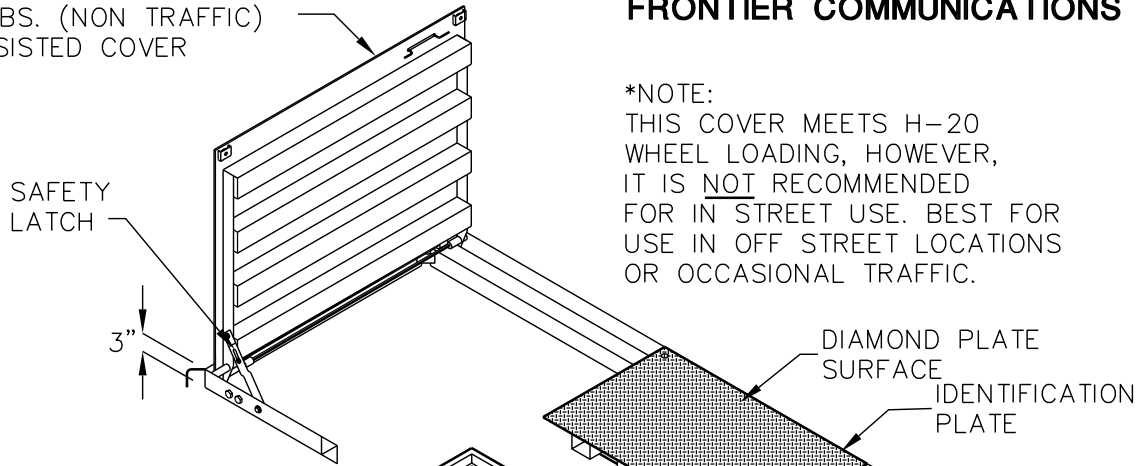


4878 INTERCEPT PULLBOX

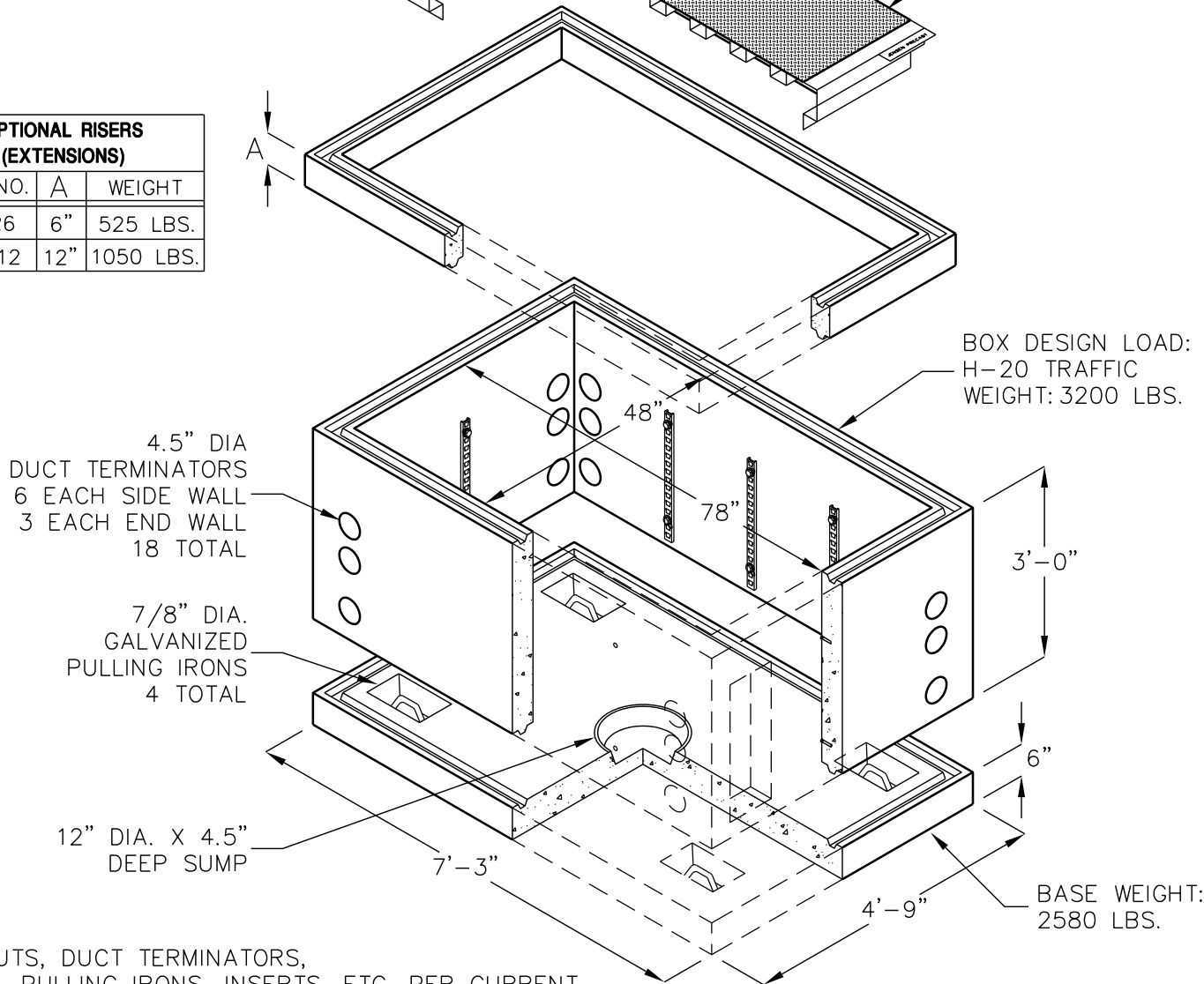
4'-0" x 6'-6" x 3'-0" I.D.
FRONTIER COMMUNICATIONS

*4878AT-TRF, 725 LBS. (H-20 TRAFFIC) OR
4878AT-PKY, 625 LBS. (NON TRAFFIC)
TORSION SPRING ASSISTED COVER

*NOTE:
THIS COVER MEETS H-20
WHEEL LOADING, HOWEVER,
IT IS NOT RECOMMENDED
FOR IN STREET USE. BEST FOR
USE IN OFF STREET LOCATIONS
OR OCCASIONAL TRAFFIC.



OPTIONAL RISERS (EXTENSIONS)		
MODEL NO.	A	WEIGHT
466-R6	6"	525 LBS.
466-R12	12"	1050 LBS.



KNOCKOUTS, DUCT TERMINATORS,
RACKING, PULLING IRONS, INSERTS, ETC. PER CURRENT
FRONTIER COMMUNICATIONS SPECIFICATIONS.

FOR COMPLETE DESIGN AND PRODUCT INFORMATION,
CONTACT JENSEN PRECAST.