

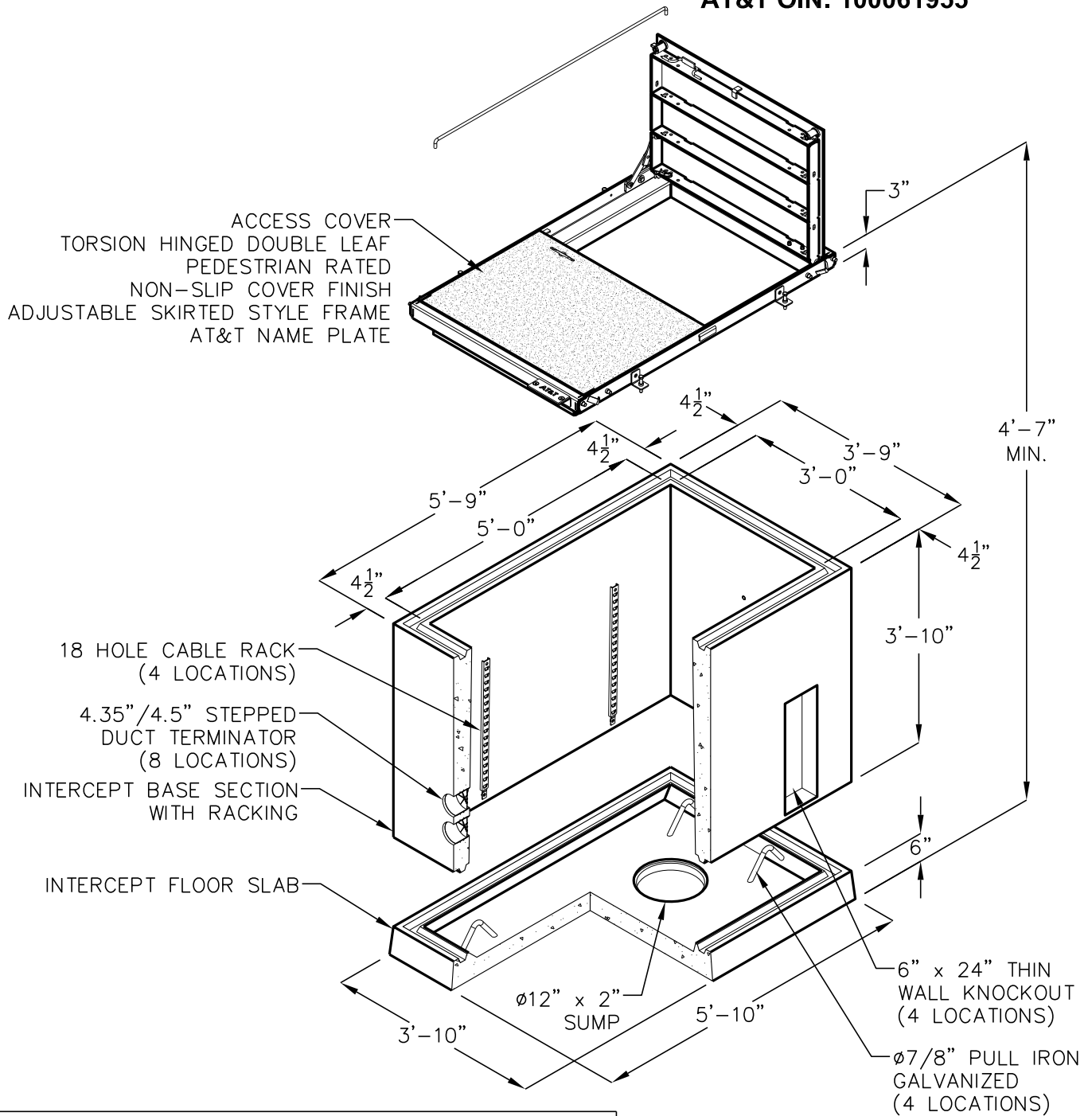


at&t Northern California
Nevada

3'-0" x 5'-0" x 4'-0" AT&T SUB-SURFACE INTERCEPT ENCLOSURE

PEDESTRIAN RATED HINGED COVER

AT&T OIN: 100061955



MATERIAL LIST	
DESCRIPTION	WEIGHT (LBS)
3'-0" x 5'-0" x 6" INTERCEPT FLOOR	1,228
3'-0" x 5'-0" x 3'-10" INTERCEPT WITH RACKING - AT&T	3,296
TORSION HINGED NON-SLIP STEEL COVER - PEDESTRIAN	380

JENSEN
PRECAST EST. 1968

Jensen Precast reserves the right to make changes to product design and/or dimensions without notice. Please contact Jensen Precast whenever necessary for confirmation or advice on product design.